

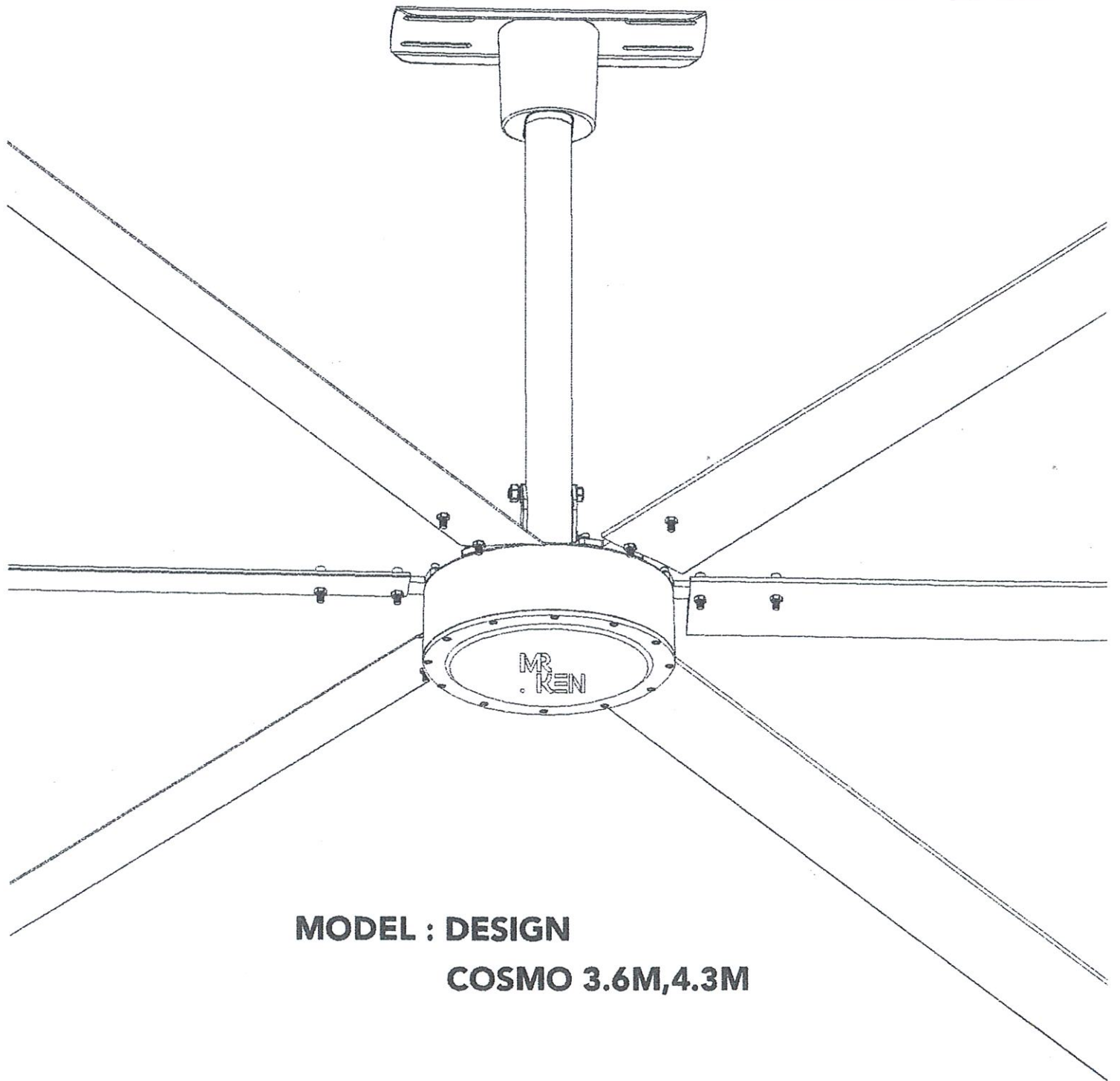


Aesthetics of Wind  
Since 1985

# Installation Manual

320 HVLS CEILING FAN




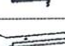





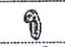
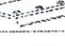



















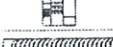
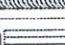


36B47 43B47







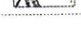
**MODEL : DESIGN**

**COSMO 3.6M,4.3M**

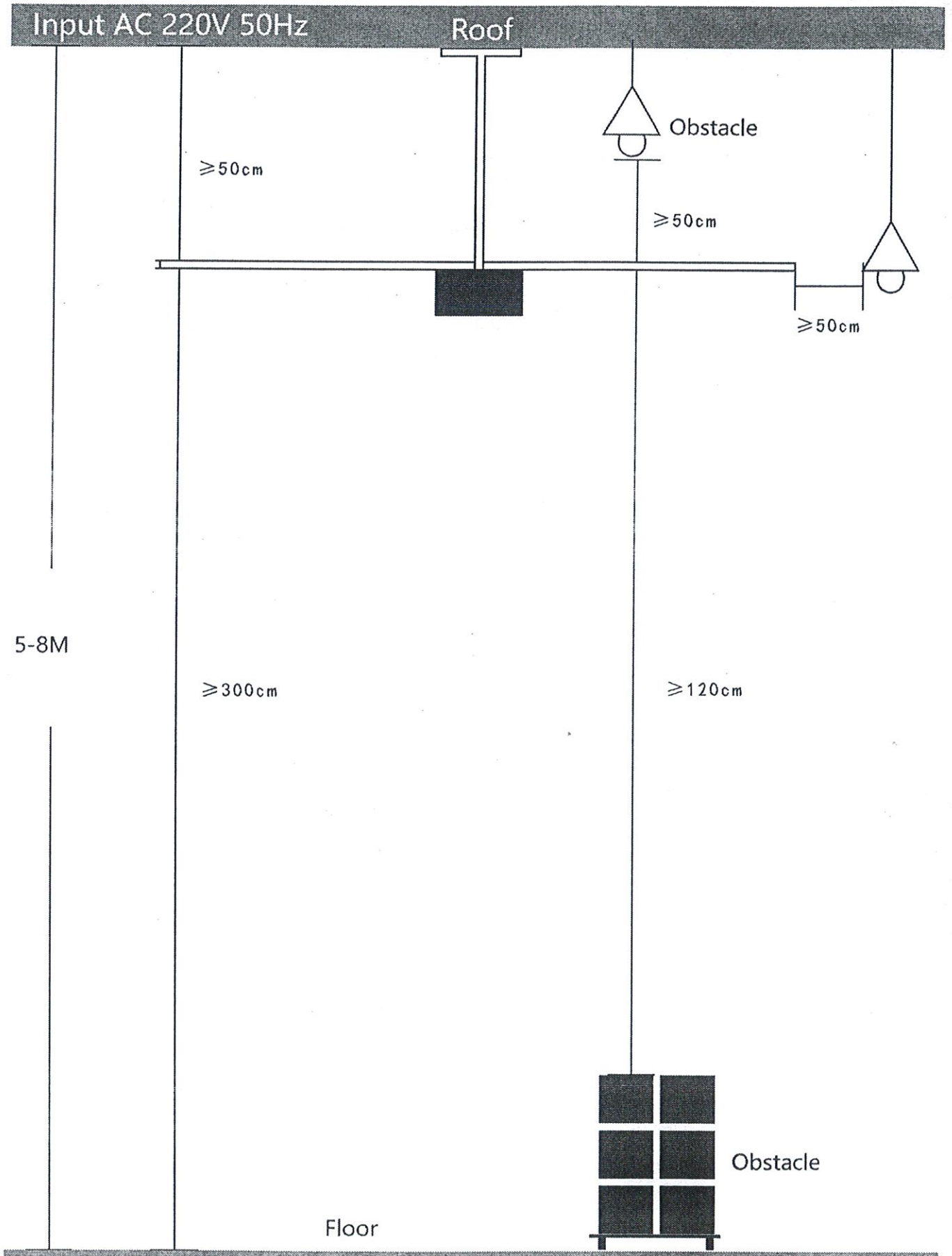
# 1.Content List

Type		Description	Qty	Unit	Picture
1		Motor	1	PCS	
2		Breacket	1	PCS	
3		Canopy	1	PCS	
4		Canopy screw M4x10	2	PCS	
5		Blade holder	6	PCS	
6		Safety cable	1	PCS	
7		Balance board	2	PCS	
8		PVC pipe	1	PCS	
9	Circular and square optional accessory packs	Tablet	1	PCS	
		Bolts M12x180mm	4	PCS	
		Lock nuts M12	4	PCS	
		Lock Washers Ø12.5mm	4	PCS	
10	I-beam and concrete optional accessory packs	Tablet	2	PCS	
		Expansion screws M12x100mm	11	PCS	
		Expansion screw M16x120mm	5	PCS	
		Bolts M12x60mm	6	PCS	
		Lock nuts M12mm	6	PCS	
		Washers Ø13mm	4	PCS	
		Lock Washers Ø12.5mm	6	PCS	
11	Down rod screw bag	Bolts M10x90mm	3	PCS	
		Lock Washers Ø10.5mm	5	PCS	
		Bolts M10x30mm	2	PCS	
		Washers Ø10.5mm	8	PCS	
		Lock nuts M10mm	3	PCS	
12	Blade holder screw bag	Bolts M6x25mm	12	PCS	
		Bolts M8x25mm	12	PCS	
13	Blade screw bag	Bolts M8x35mm	12	PCS	
		Washers Ø8.5mm	12	PCS	
		Lock nuts M8mm	12	PCS	
14		Lock catch M6mm	11	PCS	
15		Turnbuckles	4	PCS	
16		Guy wires	4	PCS	
17		Carabiner	4	PCS	
18		Shims 130x36x5mm	2	PCS	

## Controller box parts

1		Controller box	1	PCS	
2		Plastic coated metal hose	2	PCS	
3	Controller screw bag	Expansion lastic bolts	4	PCS	
		Screw	4	PCS	
4		Installation Manual	1	PCS	

## 2. Installation requirement























**NOTE**

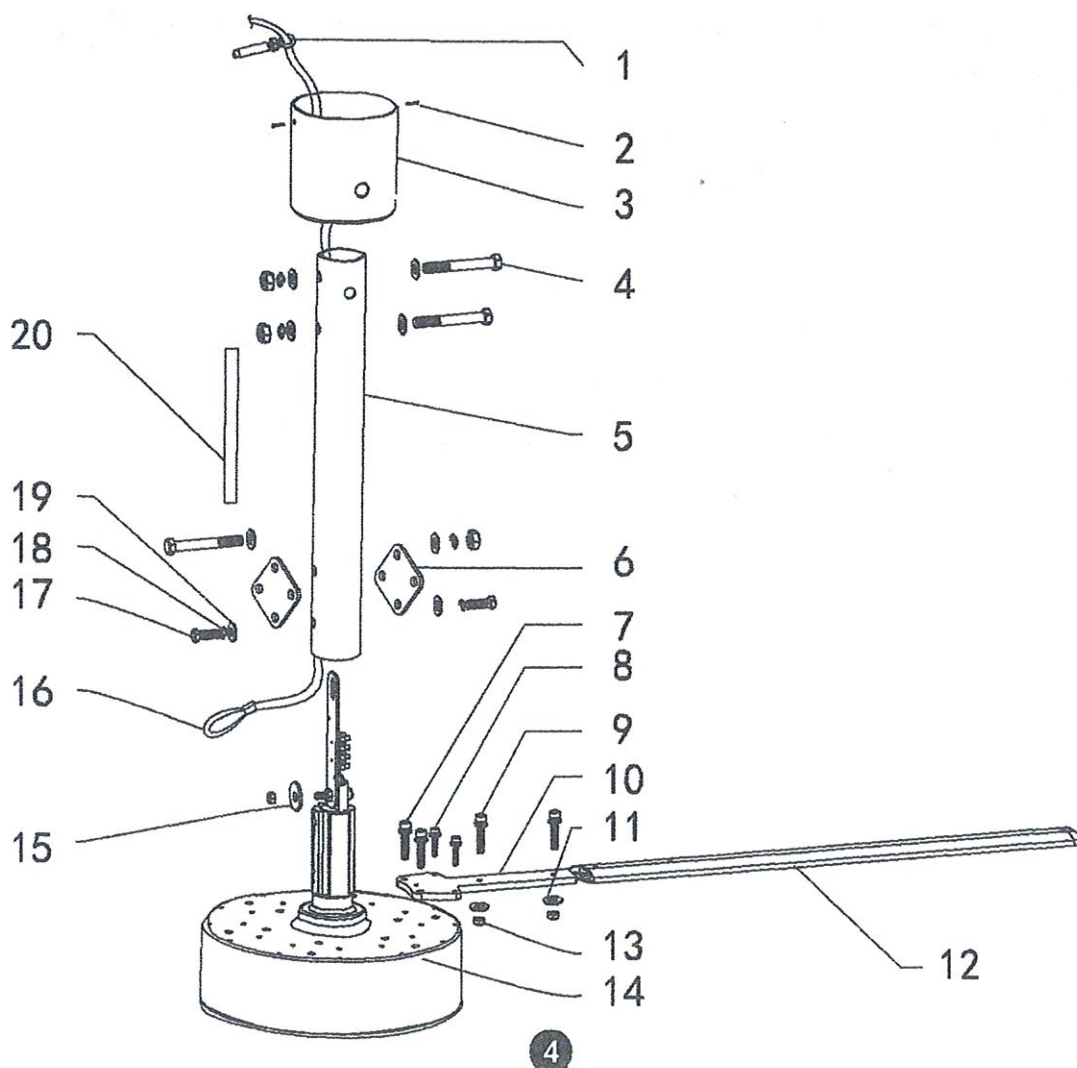
1. Must be installed and maintained by qualified person
2. The product must be reliably grounded, otherwise it may cause electric shock.
3. Use specified quantity and specifications of bolts, and tighten them.
4. Ensure that the building structure can bear five times the weight of the fan. If this cannot be ensured, take reinforcement measures.
5. The input wire of the control box is a 3-core wire with a  $1.5\text{mm}^2$  cross-sectional area.  
The output wire of the control box is a 3-core wire with a  $2.5\text{mm}^2$  cross-sectional area.

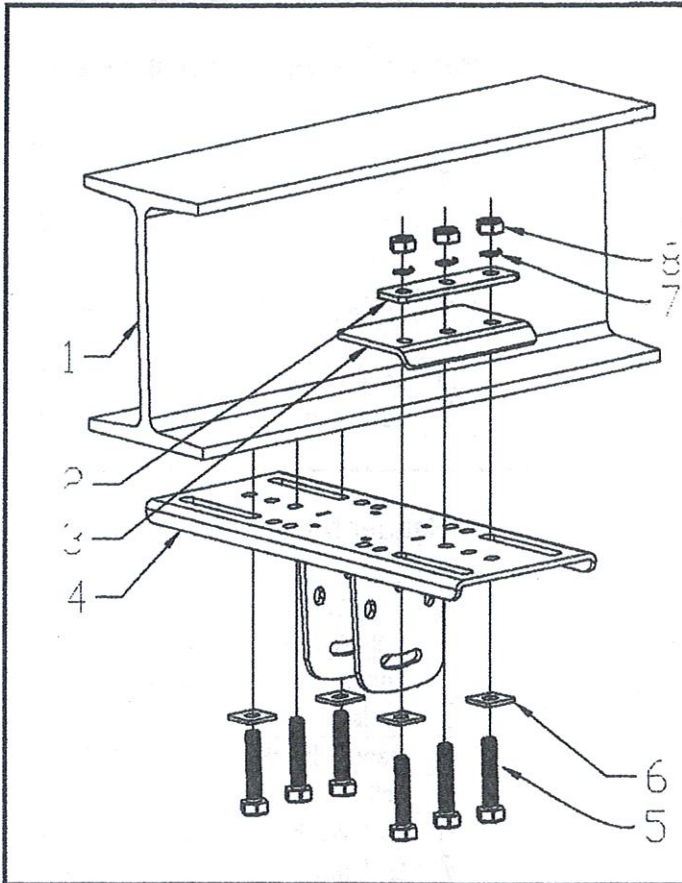


1. The product is suitable for ambient temperature (0-40), relative humidity below 85%.
2. Make sure Power off before installation, maintenance.

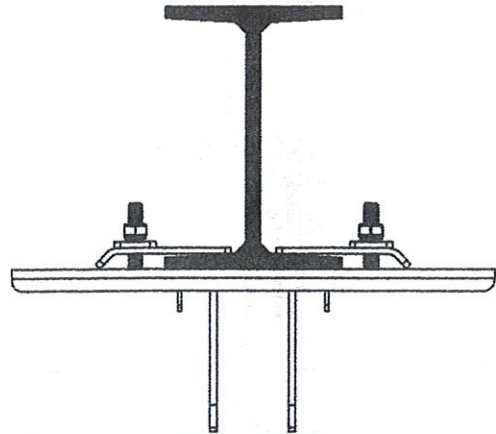
## 4. Component List

NO.:	Description	Qty	Unit	Picture
1	M16x120MM Expansion screw	1	PCS	
2	M4x10 canopy screw	2	PCS	
3	CanDopy	1	PCS	
4	M10x90 Bolts	3	PCS	
5	Down rod	1	PCS	
6	Balance board	2	PCS	
7	M8x25mm Bolts	12	PCS	
8	M6x25mm Bolts	12	PCS	
9	M8x35mm Bolts	12	PCS	
10	Blade holder	6	PCS	
11	Ø16xØ8.5x2mm Washers	12	PCS	
12	Blade	6	PCS	
13	M8 Lock nuts	12	PCS	
14	Motor	1	PCS	
15	Ø30xØ8.4x2mm Washers	1	PCS	
16	Guy wires	1	PCS	
17	M10x30 Bolts	2	PCS	
18	Ø10.5 Lock Washers	5	PCS	
19	Ø18xØ10.5x2mm Washers	10	PCS	
20	PVC pipe	1	PCS	

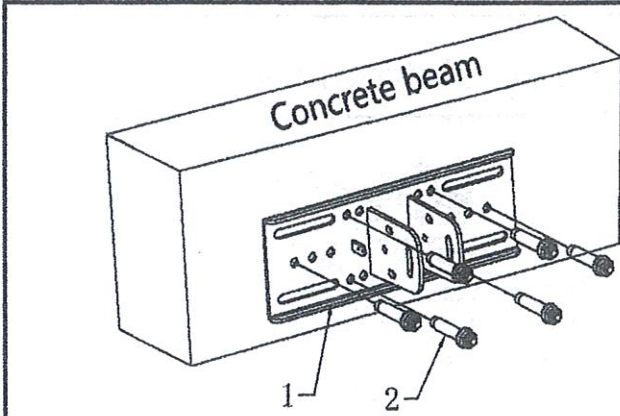




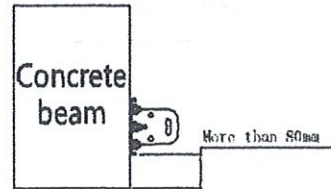
### Hanger bracket for I-beam



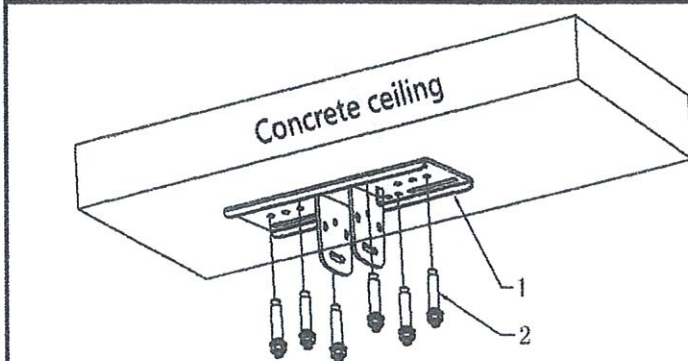
NO.:	Type	Description/mm	Qty
1	I-beam	#80~#300	
2	Shims	130*36*5	2
3	Tablet	140*102*17	2
4	Hanger bracket	410*160*135	1
5	M12x60mm Bolts	M12*60	6
6	Washers	30*30*3	4
7	Lock Washers	φ12.5*3	6
8	Lock nuts	M12	6



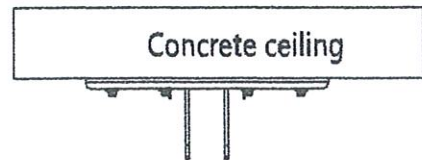
### Side installation of concrete hanger



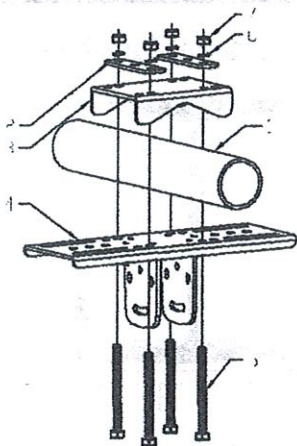
NO.:	Type	Description/mm	Qty
1	Tablet	175*140*45	1
2	Expansion screws	M12*100	6



### Concrete hanger hoisting

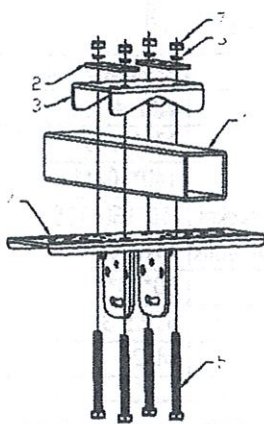
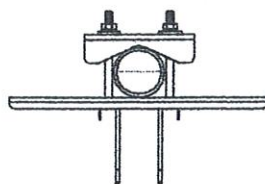


NO.:	Type	Description/mm	Qty
1	Tablet	175*140*45	1
2	Expansion screws	M12*100	6



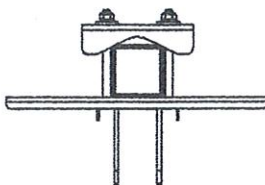
Hanger bracket for circular steel

NO.:	Type	Description/mm	Qty
1	Circular steel	φ60~φ120	
2	Shims	130*36*5	2
3	Tablet	175*140*45	1
4	Hanger bracket	410*160*135	1
5	Bolts	M12*180	4
6	Lock Washers	φ12.5*3	4
7	Lock nuts	M12	4

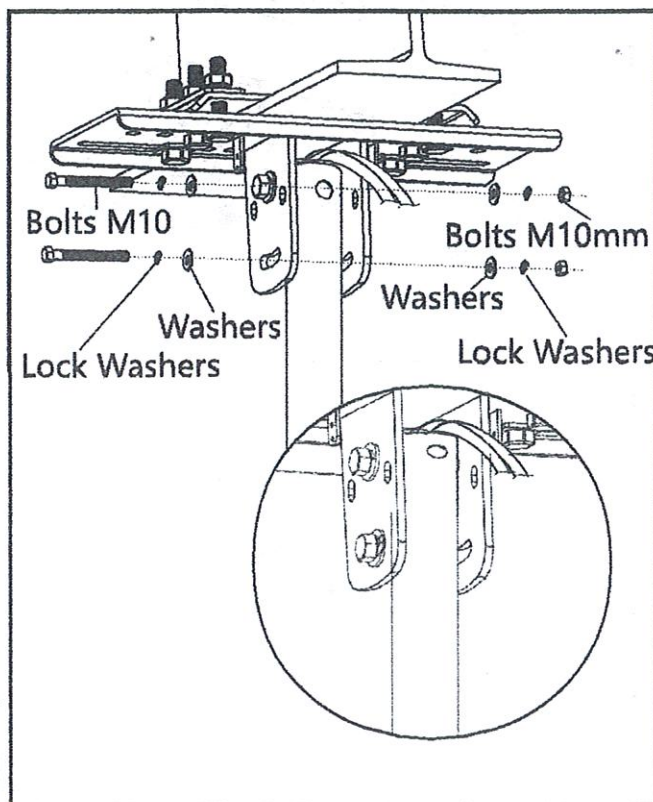
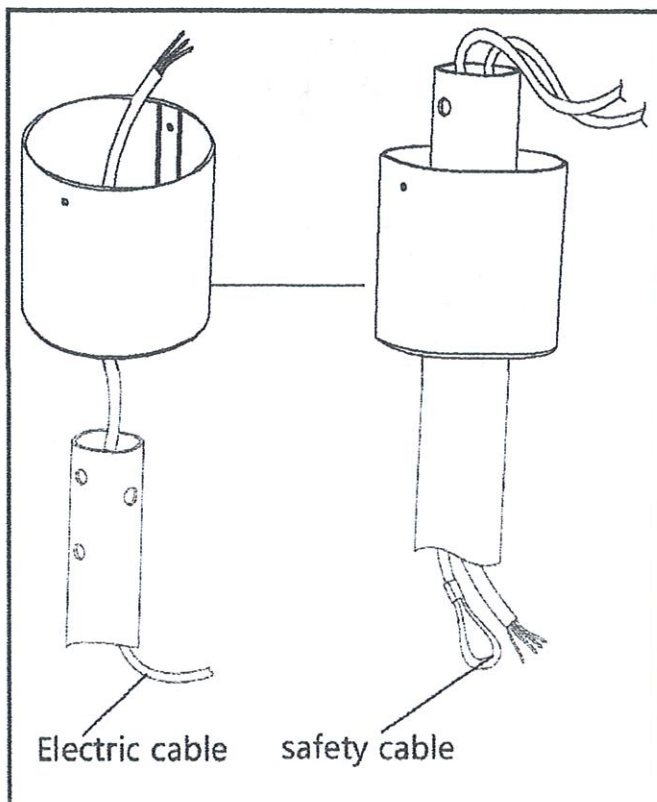


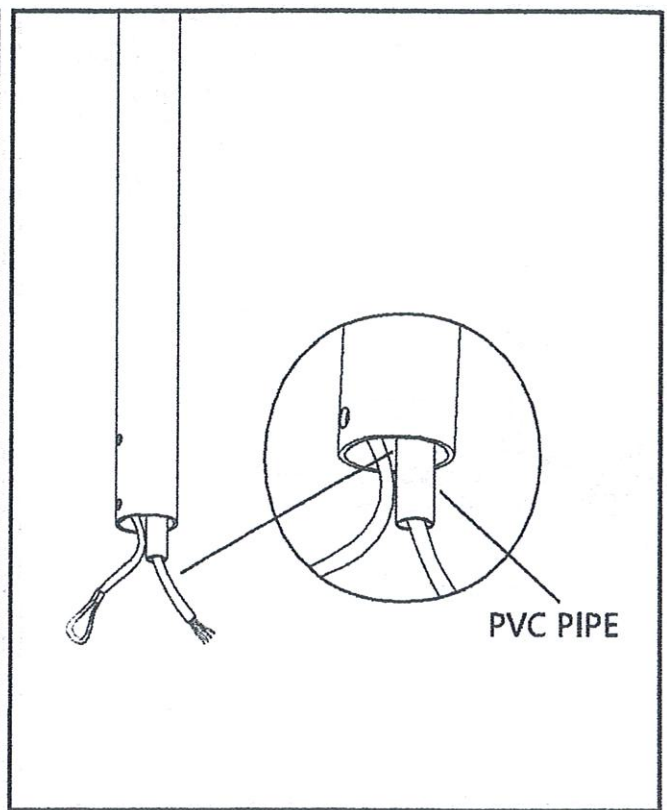
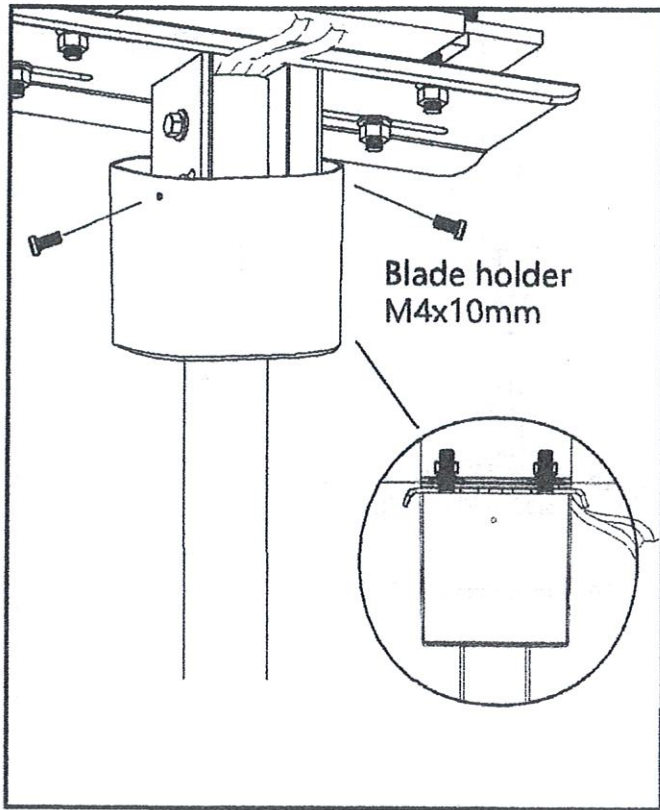
Hanger bracket for square steel

NO.:	Type	Description/mm	Qty
1	Square steel	60*60-120*120	
2	Shims	130*36*5	2
3	Tablet	175*140*45	1
4	Hanger bracket	410*160*135	1
5	Bolts	M12*180	4
6	Lock Washers	φ12.5*3	4
7	Lock nuts	M12	4

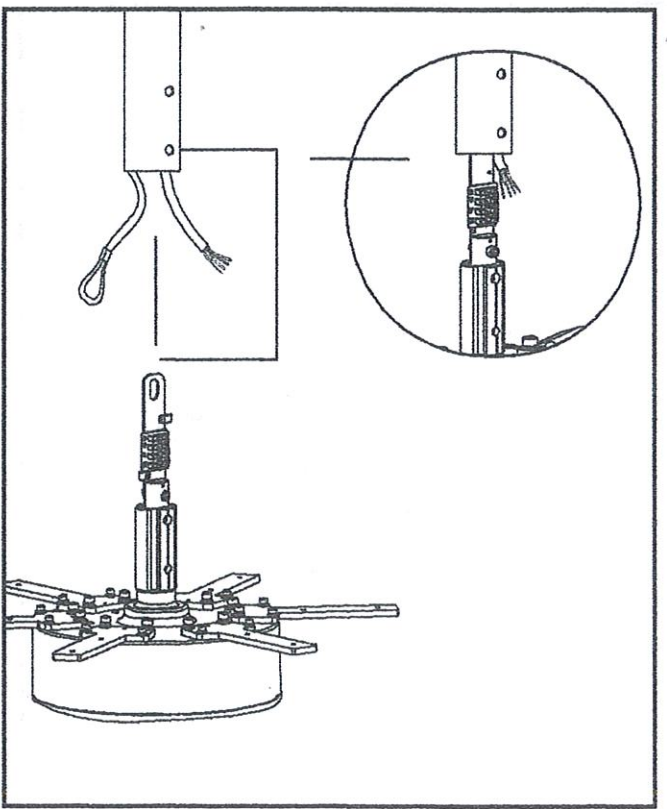
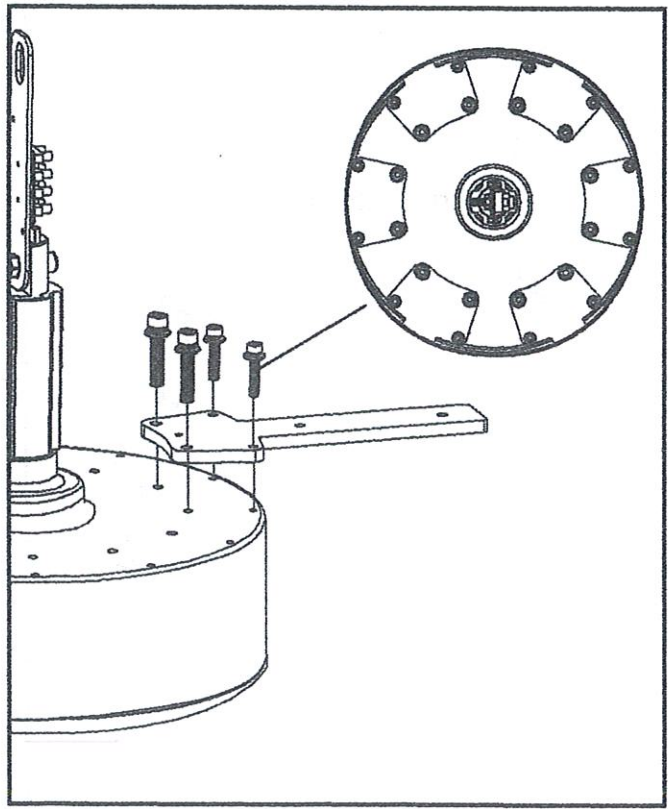


7.1 Canopy, down rod install(Screw bag of down rod)

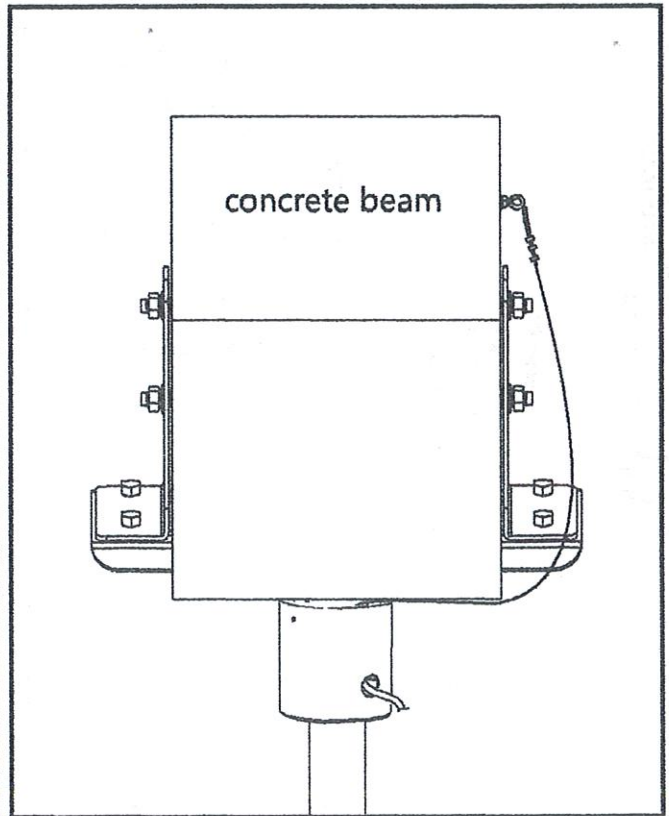
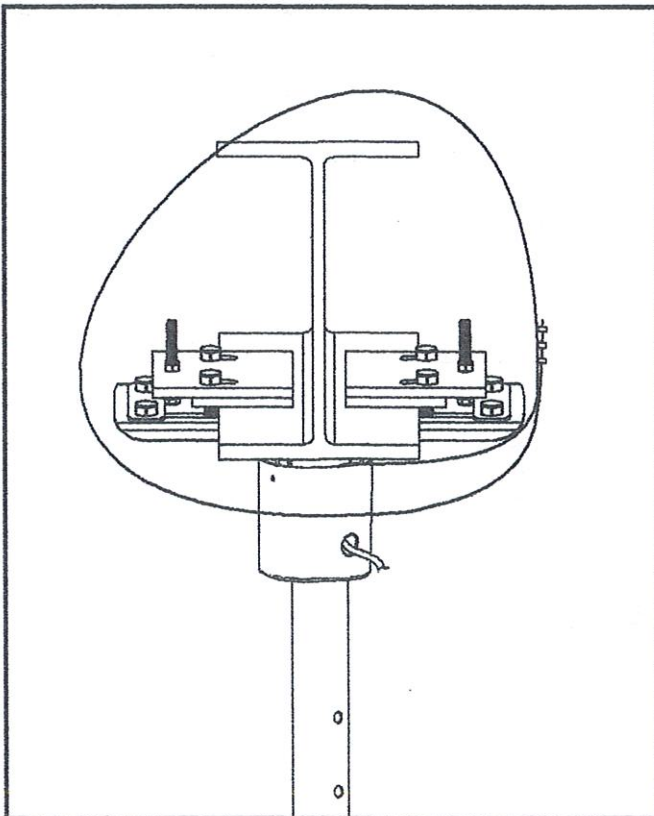
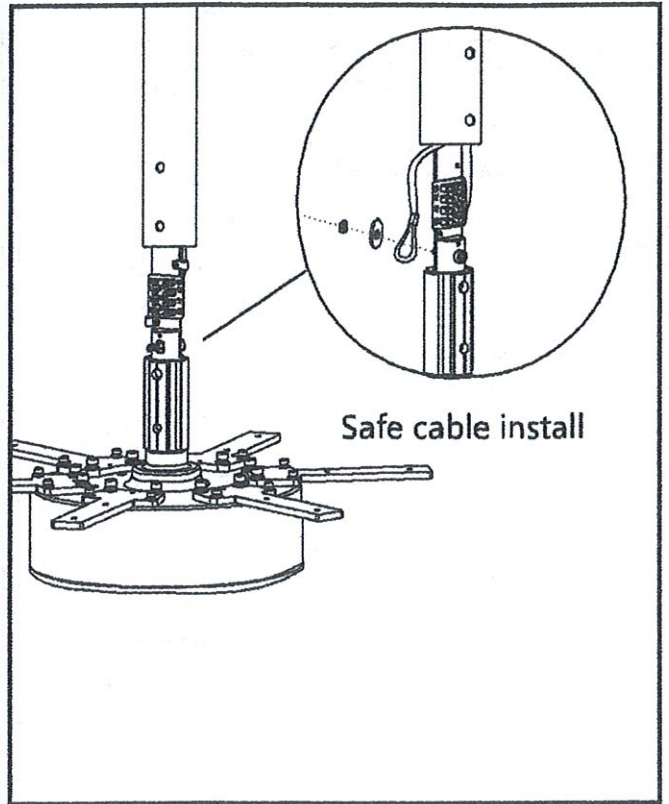
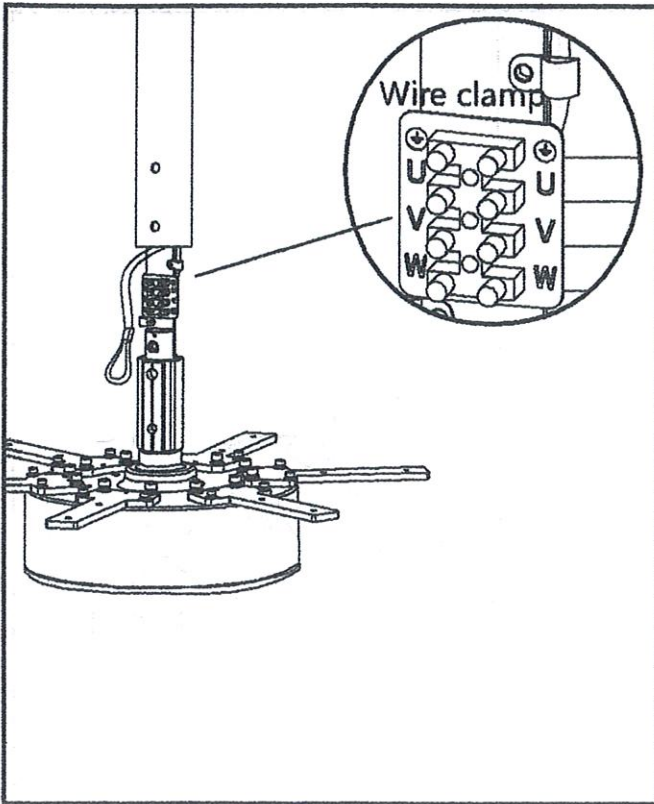




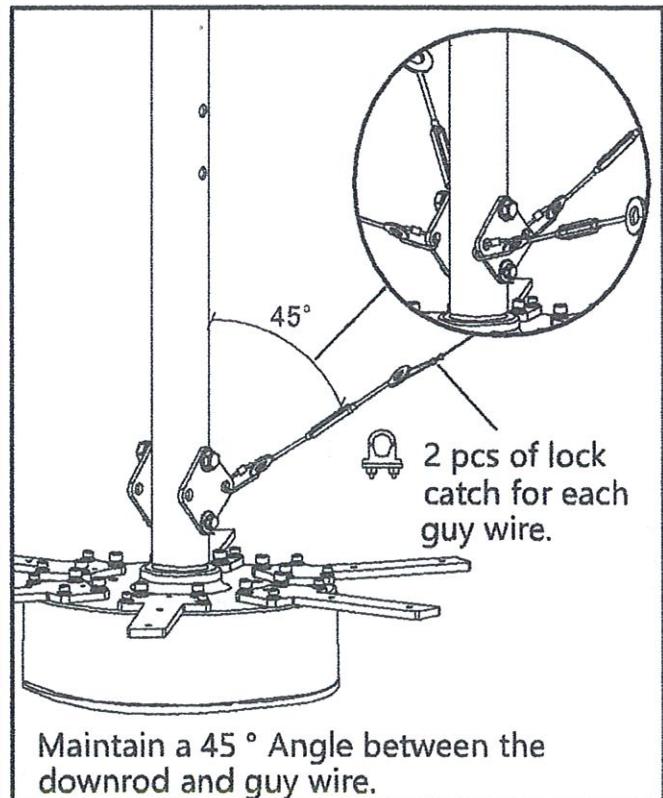
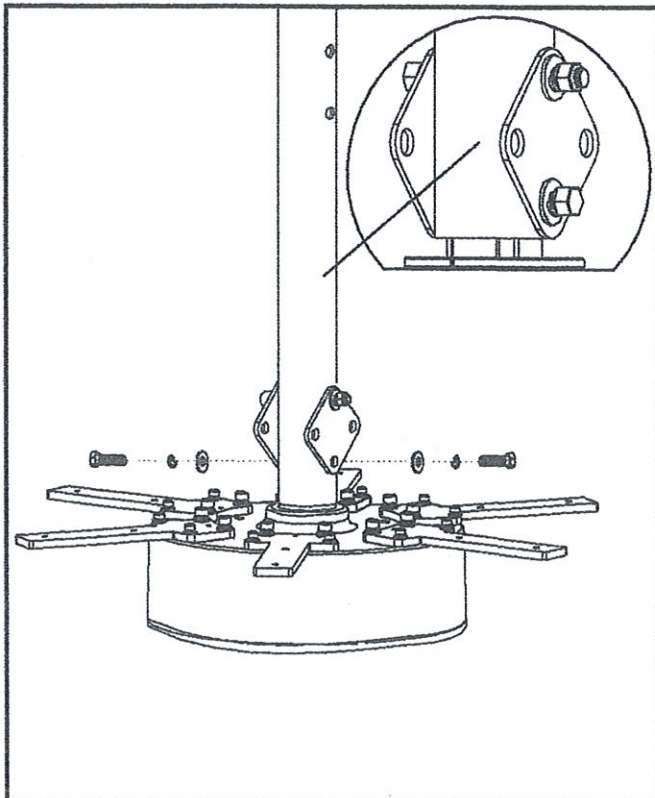
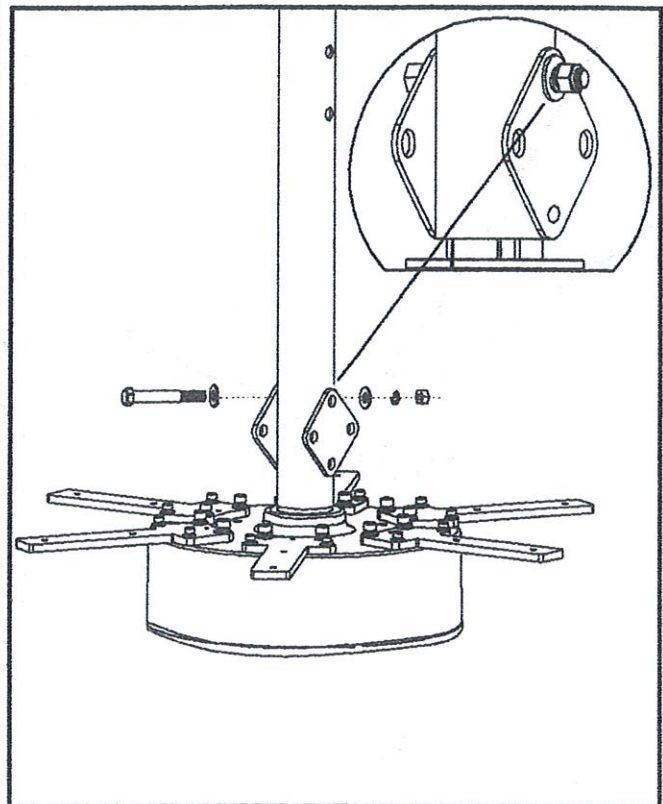
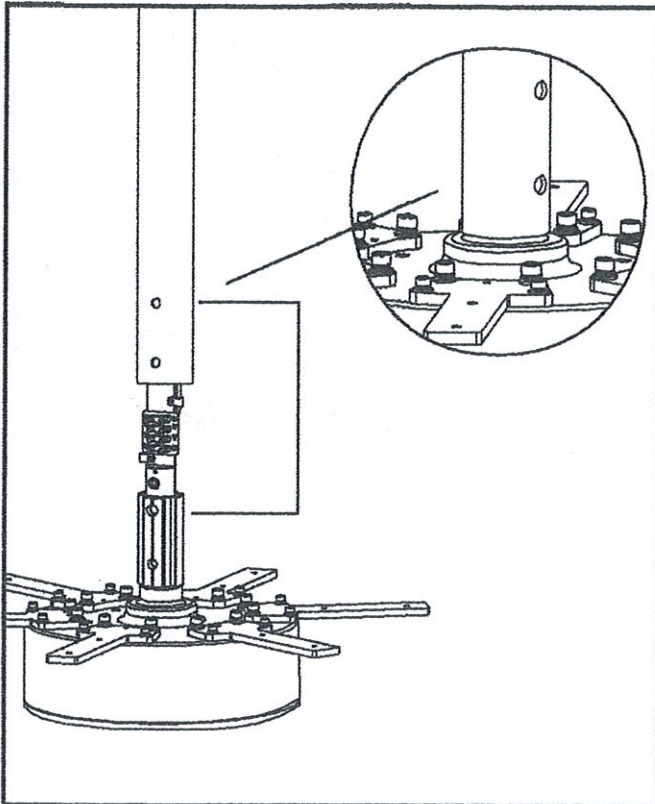
7.2 Motor ,blade holder install (Blade holder screw bag)



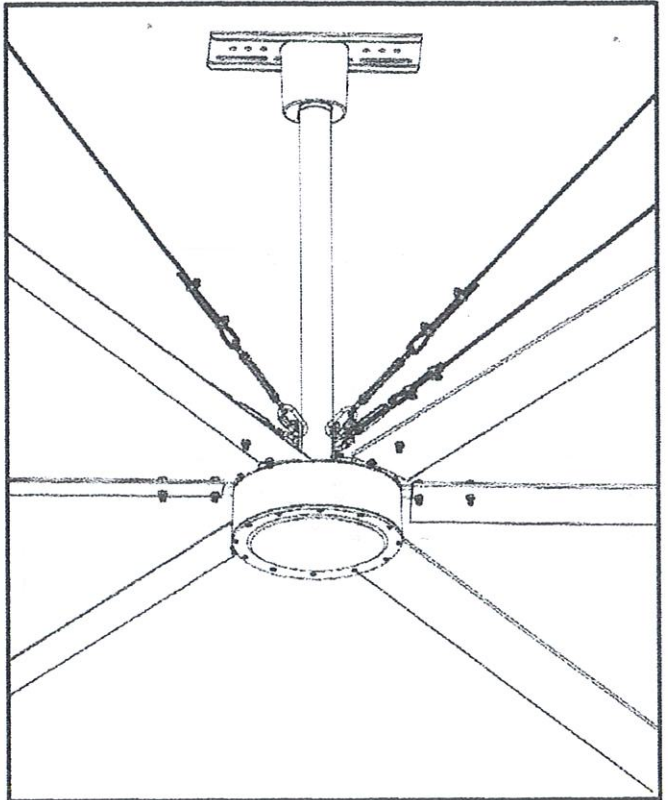
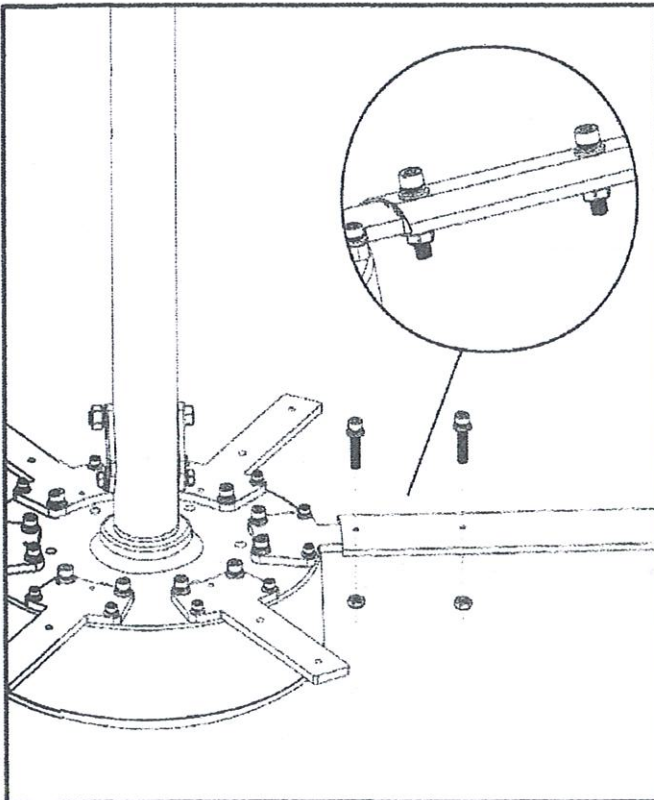
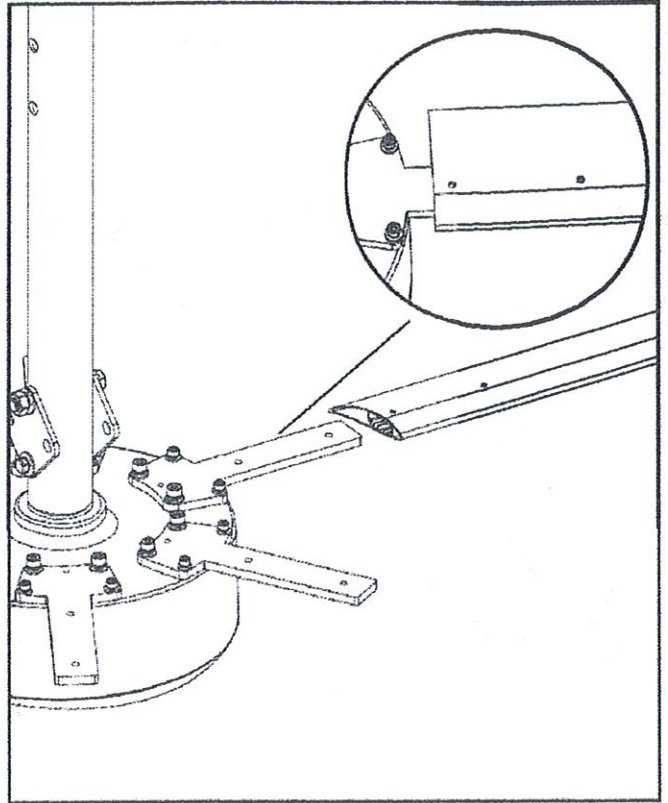
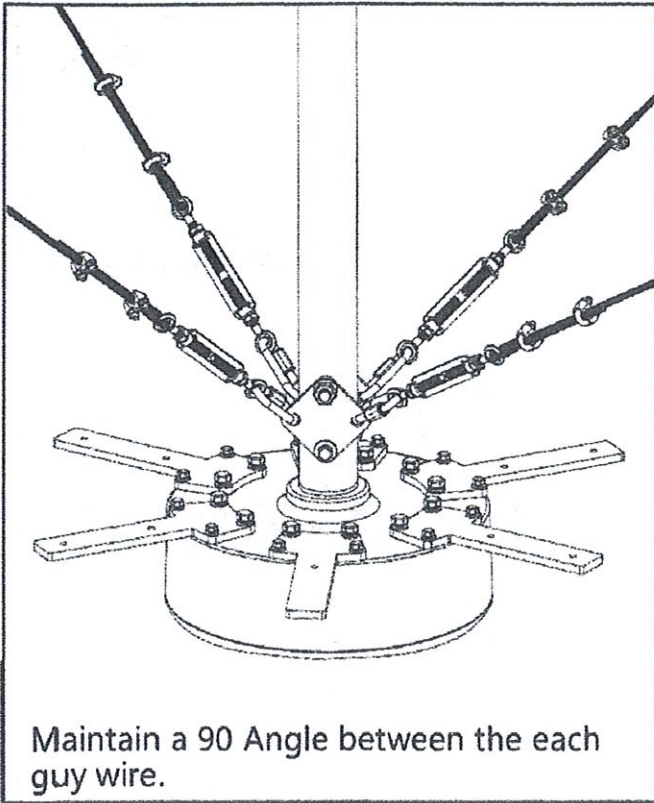




### 7.3 Guy wire install

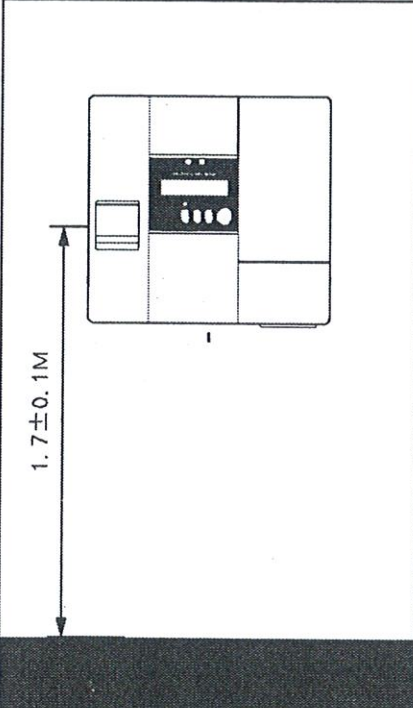
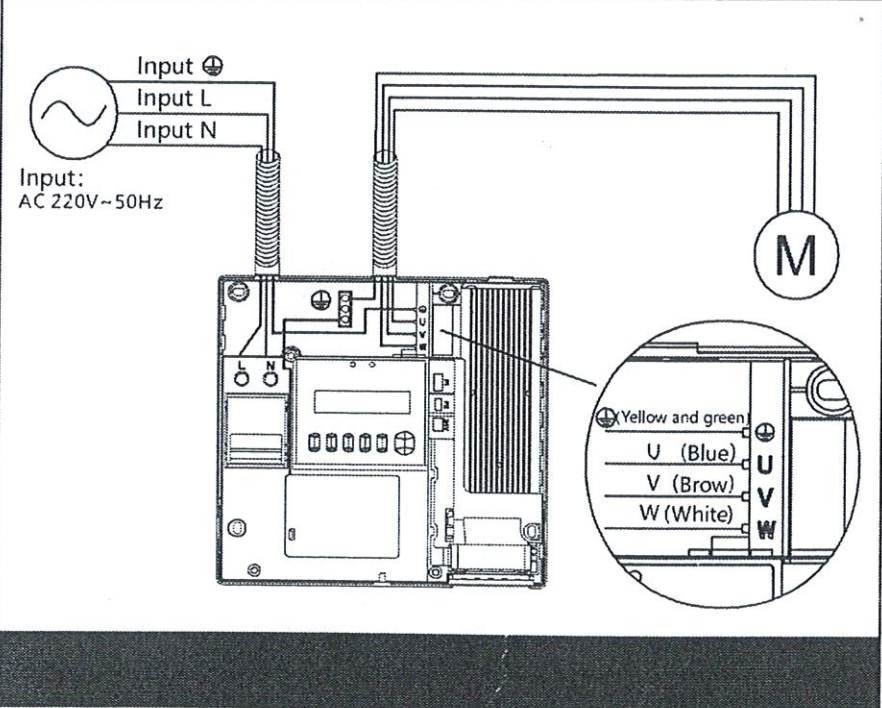
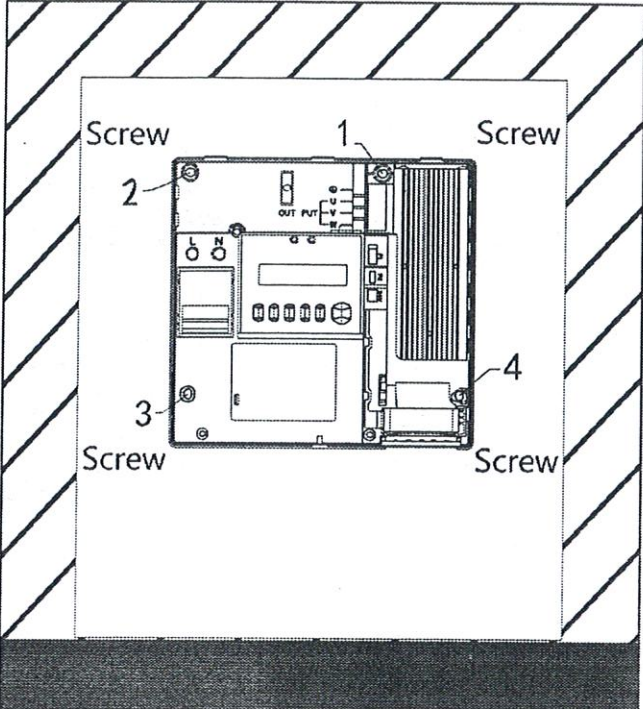
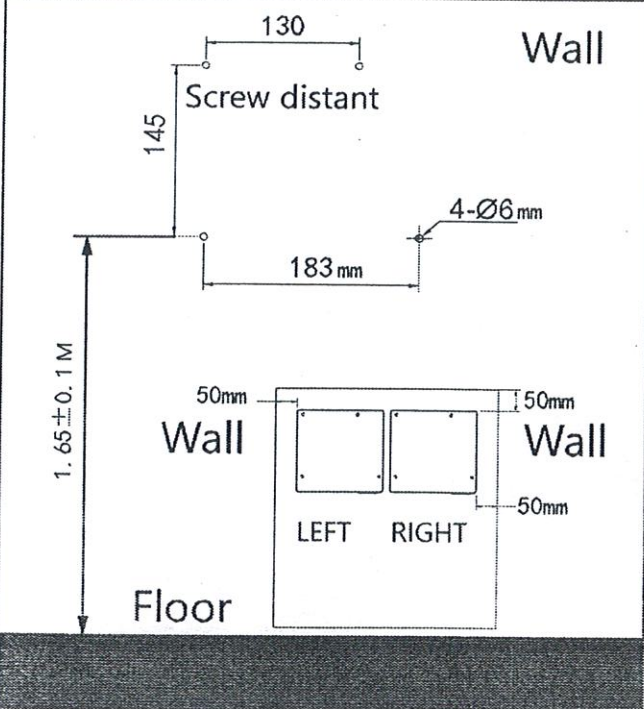


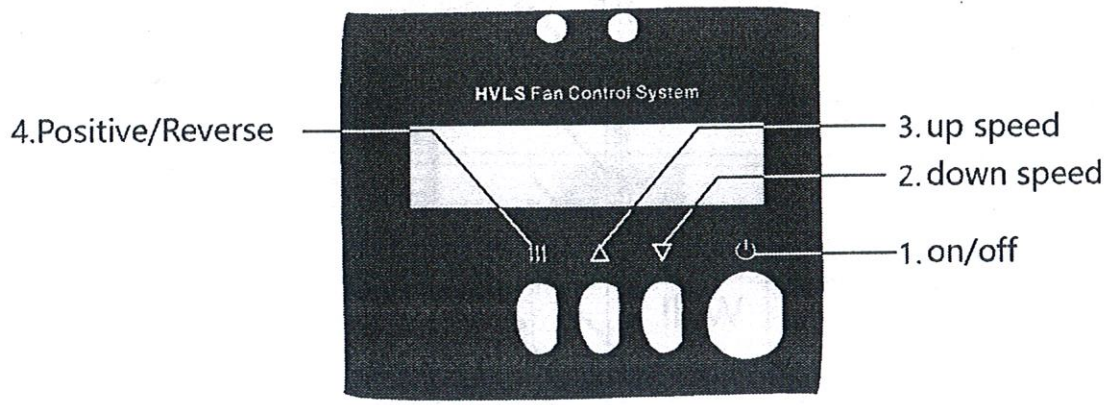
7. 4 Blade install (Blade screw bag)



# 5.Controller box install

Do not install this controller in moist place.





4. Positive/Reverse: Hold down for 1.5 seconds to switch the positive/reverse fan mode.