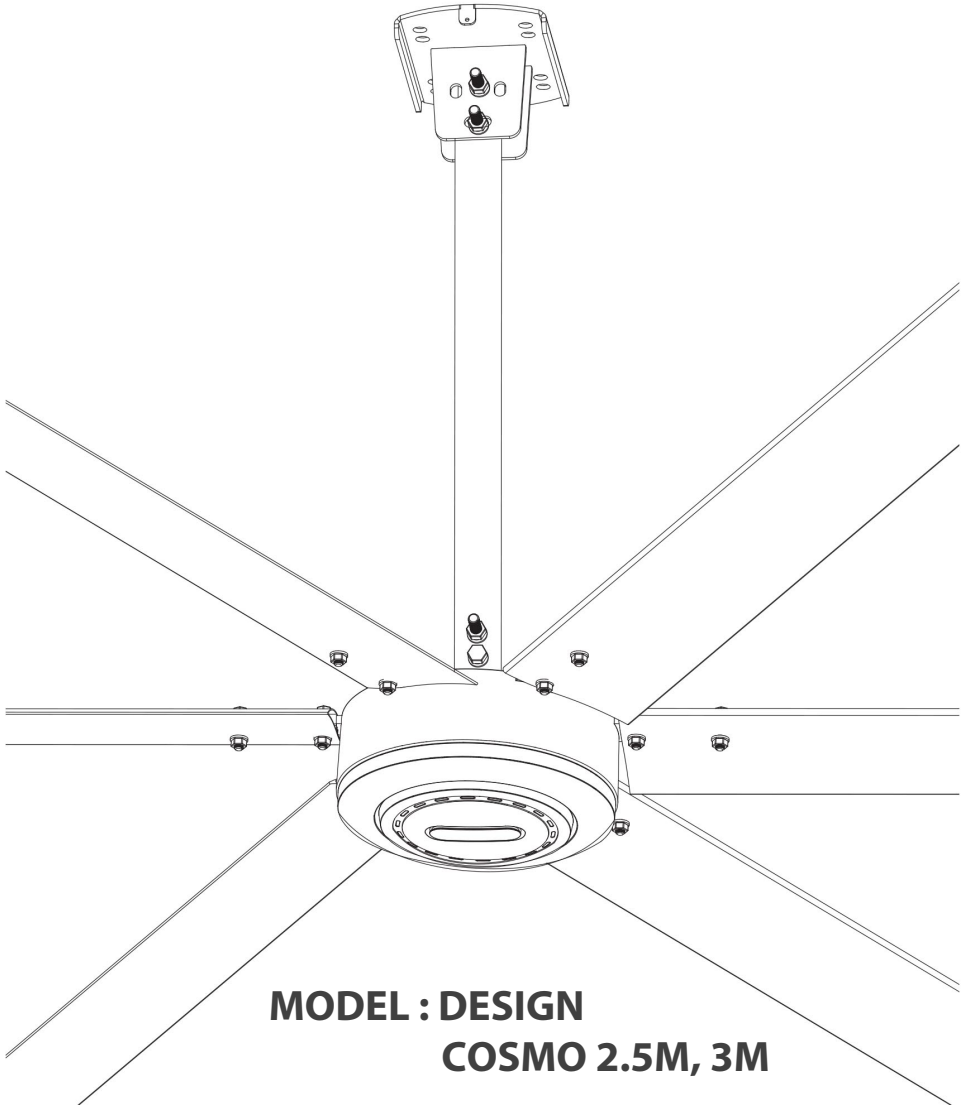




Aesthetics of Wind
Since 1985

Installation Manual

25B47 30B47



MODEL : DESIGN
COSMO 2.5M, 3M

Content List

Product Overview	-----	1-2
Packing List	-----	3
Installation Conditions	-----	4-5
Product Explosion Countries and Parts List	-----	6
Installation Guide	-----	7-9
Wiring	-----	10

Notify users of environmental impact statement

"Protecting the environment, benefiting mankind, preventing pollution, and continuously improving" is our company's environmental management philosophy purpose and direction. Our company complies with GB/T24001-2016 idt ISO14001:2015 The standard establishes, implements and protects the environmental management system, regarding the use and completion of the company's products The environmental impact caused by the service life is as follows:

1. After unpacking, the cartons, plastic bags and foam are all recyclable waste, please put them into the designated sorting trash bin:
2. Any product has a service life. Please scrap it according to the service life stipulated by the state. It should be sent to the local waste collection station for unified processing.
3. For products beyond the scrapping period, our company's maintenance service points will no longer promise maintenance services. For the safety of you and your family, please be sure to scrap it on time.

Product Overview

The 255 series is a small ceiling fan specially developed by our company for industry. It adopts a self-developed DC motor and has the characteristics of low speed, large air volume, low noise, high efficiency and energy saving, safety and environmental protection, and long life.

Using this product has the following advantages:

1. Personnel cooling: the breeze (1-3m/s) blows on the human body to accelerate volatilization to achieve the purpose of cooling, and the cooling feeling can reach about 5-8 °C,

2. Natural ventilation: super-large industrial fans will promote air circulation throughout the space, and promote the dispersion of relatively heavy smoke, moisture, carbon dioxide, and poor-quality air, thereby improving the air quality in the work area and creating a healthy, dry and safe working environment , Improve work efficiency.

3. Dehumidification and dehumidification: Because it can generate a large air volume, it can effectively promote air circulation, so that the moisture is well dispersed, and the probability of problems such as bedbugs and molds is greatly reduced.

4. Environmental protection and energy saving: The power of the whole machine is 0.16kw, which can cover an operation area of about 225m² .It works for 8 hours a day and only consumes 1.28 (1.2 for model 30B50) kilowatt-hours of electricity!

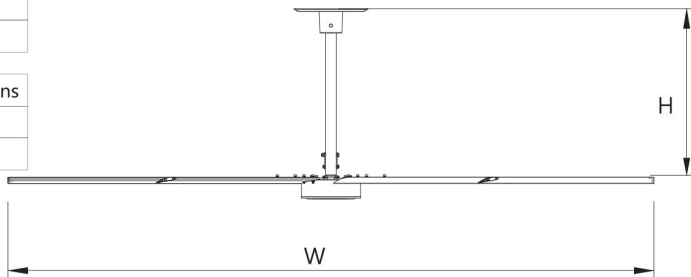
1.Product parameter table

Product Model	25B47	30B47
Electric Source	220V~50Hz	220V~50Hz
Rated Power(W)	150W	160W
Motor Noise	≤32dB(A)	≤36dB(A)
Max Speed (RPM)	130	100
Weight (kg)	25	25




Product Dimensions







H Downrod Specification
500mm
1000mm

W Ceiling Fan Specifications
2500mm
3000mm

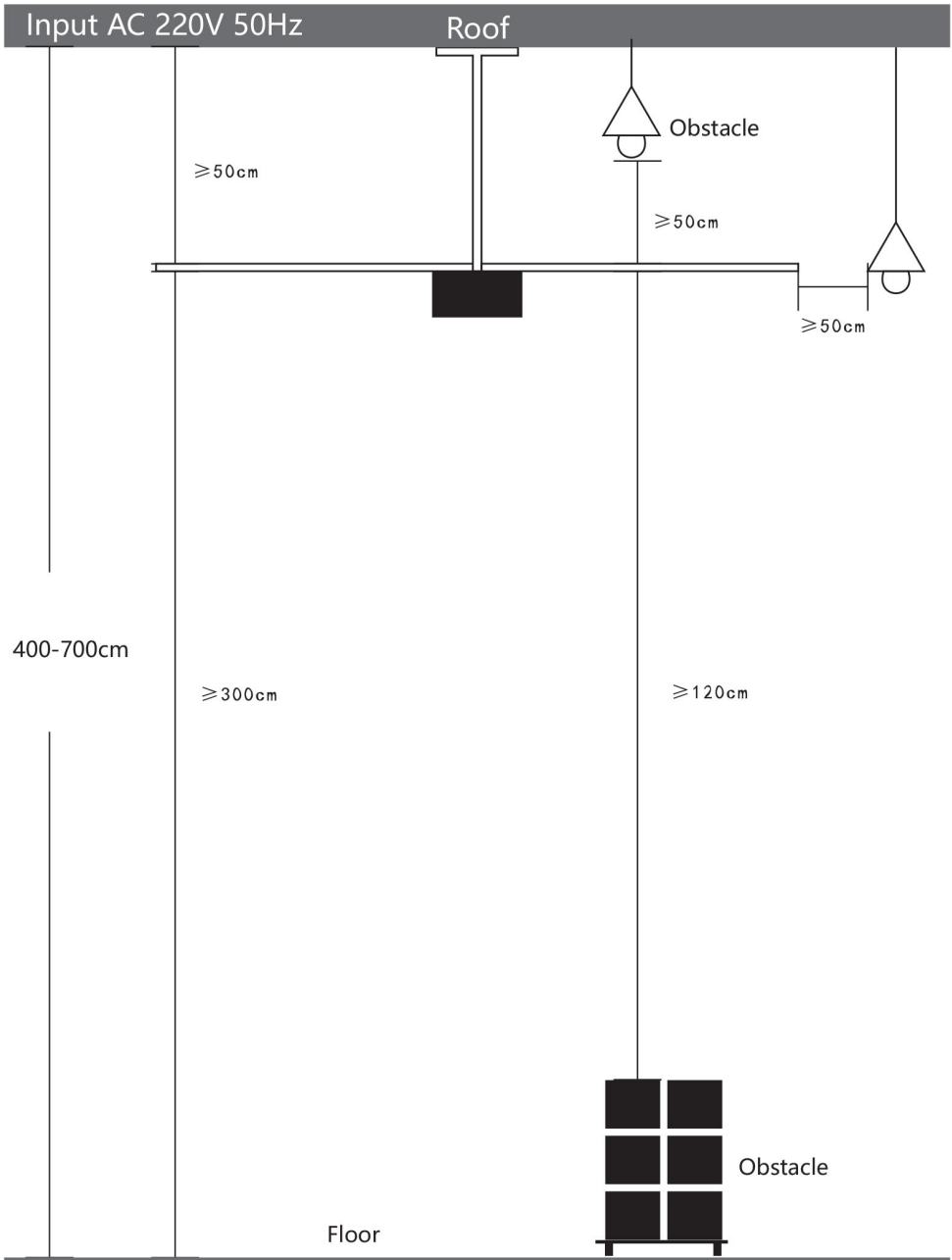


2.Content List

Type		Description	Qty	Unit	Picture
1		Motor	1	PCS	
2		Bracket	1	PCS	
3		I-beam platen	2	PCS	
4		Blade Holder	6	PCS	
5		Bolts M12x60mm	4	PCS	
		Washers φ13mm	8	PCS	
		Lock Washers φ12.5mm	4	PCS	
		Lock Nuts M12	4	PCS	
6		Bolts M10x80mm	3	PCS	
		Bolts M10x20mm	2	PCS	
		Lock Washersφ10.5mm	5	PCS	
		Washersφ10.5mm	8	PCS	
		Lock Nuts M10	3	PCS	
7		Bolts M8x35mm	12	PCS	
		Bolts M8	12	PCS	
		Washersφ8.5mm	12	PCS	
8		Bolts M8x20mm	6	PCS	
9		Expansion Screws M12x100mm	4	PCS	
10		Ring Expansion Screws M12x100mm	1	PCS	
11		Wirerope Clasp	3	PCS	
12		Cable tie 4×200mm	2	PCS	

Controller box					
13		Controller box	1	PCS	
14		Plastic Coated Metal Hose	2	PCS	
15		Perforated plate	1	PCS	
16		Expansion Lastic Bolts	4	PCS	
		Screw	4	PCS	
17		Installation Manual	1	PCS	

3. Installation requirement



⊗NOTE

Do not place this product near the outlet of harmful gases, otherwise it may cause gas poisoning, corrosion, deterioration and other hazards.

Do not use a installation method other than this installation guide. Otherwise, personal injury may occur.



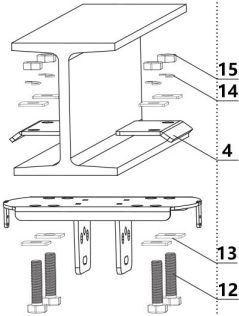
1. Input voltage AC220V 50HZ.
2. Must be installed and maintained by qualified person
3. The product must be reliably grounded, otherwise it may cause electric shock.
4. Use specified quantity and specifications of bolts, and tighten them.
5. Ensure that the building structure can bear five times the weight of the fan. If this cannot be ensured, take reinforcement measures.
6. The input wire of the control box is a 3-core wire with a 1.5mm^2 cross-sectional area.
The output wire of the control box is a 4-core wire with a 2.5mm^2 cross-sectional area. The length of the output cable do not exceed 50 meters.
7. An overload protection device must be installed in the circuit.
8. An all-pole disconnection device must be installed in the control box. If the all-pole disconnecting device in the control box is damaged, it must be replaced, the specification is 20A 2 pole.



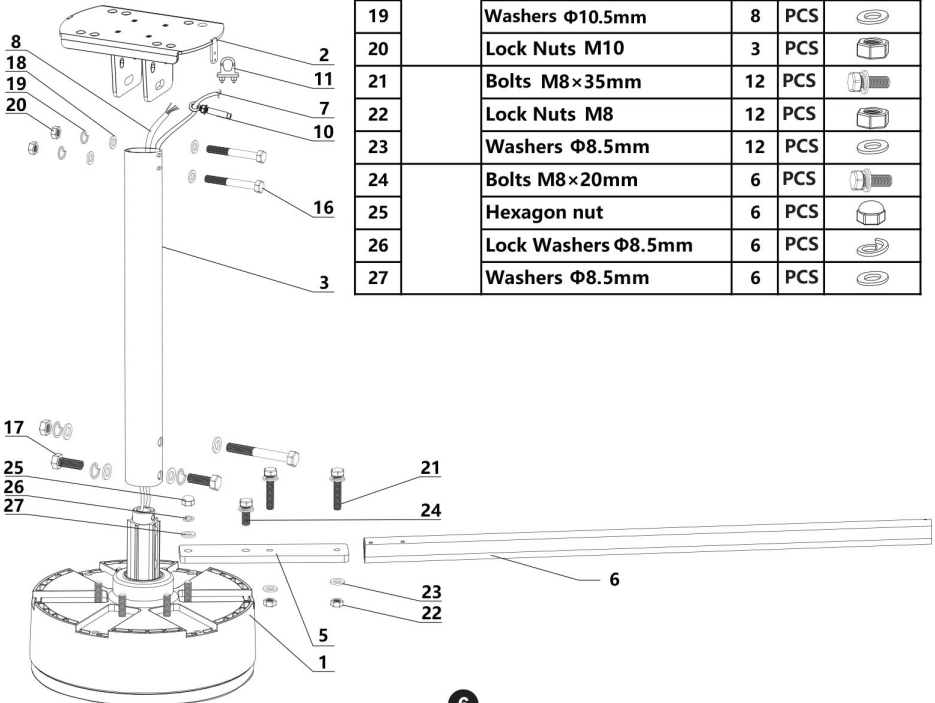
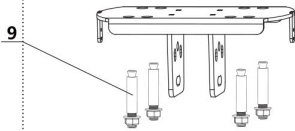
1. The product is suitable for ambient temperature (0-40), relative humidity below 85%.
2. Make sure Power off before installation, maintenance.

5.Product Explosion Countries and Parts List

I-beam installation drawing



Concrete installation drawing



Type	Description	Qty	Unit	Picture
1	Motor	1	PCS	
2	Bracket	1	PCS	
3	Downrod	1	PCS	
4	I-beam platen	2	PCS	
5	Blade Holder	6	PCS	
6	Blade	6	PCS	
7	Wirerope	1	PCS	
8	Motor Wire	1	PCS	
9	Expansion Screws M12x100mm	4	PCS	
10	Ring Expansion Screws M12x100mm	1	PCS	
11	Wirerope Clasp M4	3	PCS	
12	Bolts M12×60mm	4	PCS	
13	Washersφ13mm	8	PCS	
14	Lock Washers Φ12.5mm	4	PCS	
15	Lock Nuts M12	4	PCS	
16	Bolts M10×80mm	3	PCS	
17	Bolts M10×20mm	2	PCS	
18	Lock Washers Φ10.5mm	5	PCS	
19	Washers Φ10.5mm	8	PCS	
20	Lock Nuts M10	3	PCS	
21	Bolts M8×35mm	12	PCS	
22	Lock Nuts M8	12	PCS	
23	Washers Φ8.5mm	12	PCS	
24	Bolts M8×20mm	6	PCS	
25	Hexagon nut	6	PCS	
26	Lock Washers Φ8.5mm	6	PCS	
27	Washers Φ8.5mm	6	PCS	

6. Installation Guide

6.1 Installation method of I-beam structure

Lock Nuts M12
Lock Washers $\phi 12.5\text{mm}$
Washers $\phi 13\text{mm}$
I-beam platen

Bolts M12x60mm

a. Pass the screw through the screw hole of the pressing piece and the screw hole of the hanger and connect it.

$\leq 120\text{mm}$

b. The hanger completes the installation work on the I-beam structure (this hanger is used for I-beams with a width not exceeding 120mm).

6.2 Concrete structure installation method (only choose one of height and side installation).

Concrete beam bottom mounting hanger

Ring Expansion Screws M12x100mm (for fixing the motor safety rope)

Expansion Screws M12x100mm

Bracket

a. Drill holes to install and fasten four expansion screws.

Concrete Beam Side Mount Hangers

Ring Expansion Screws M12x100mm (for fixing the motor safety rope)

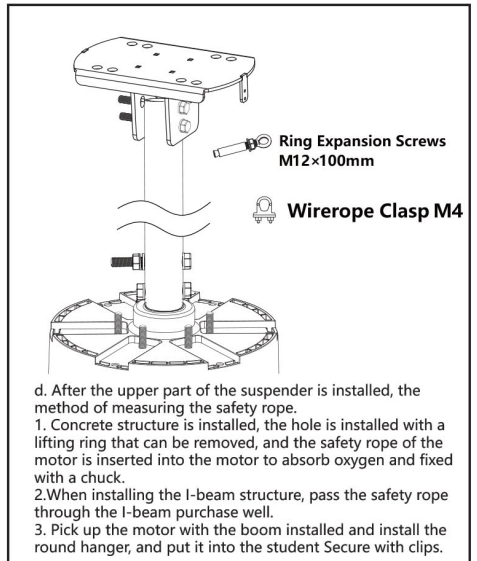
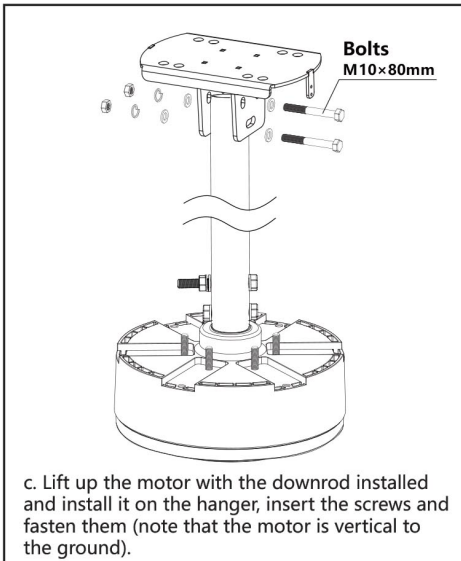
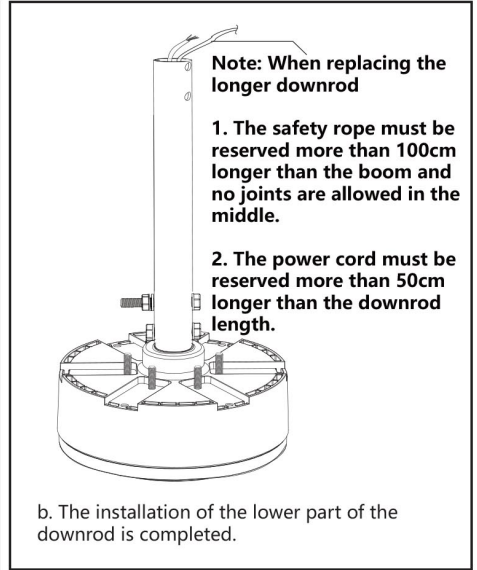
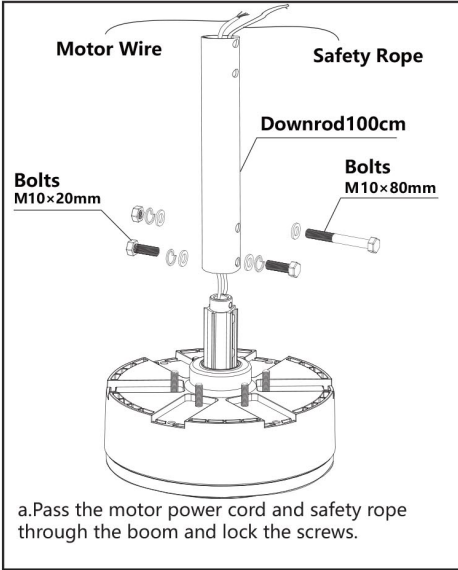
Expansion Screws M12x100mm

Bracket

About 80mm

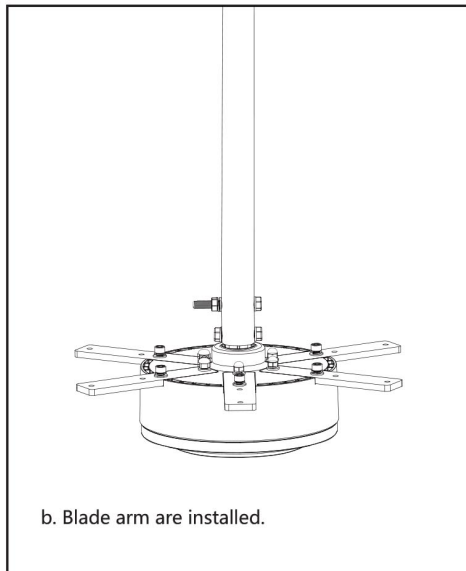
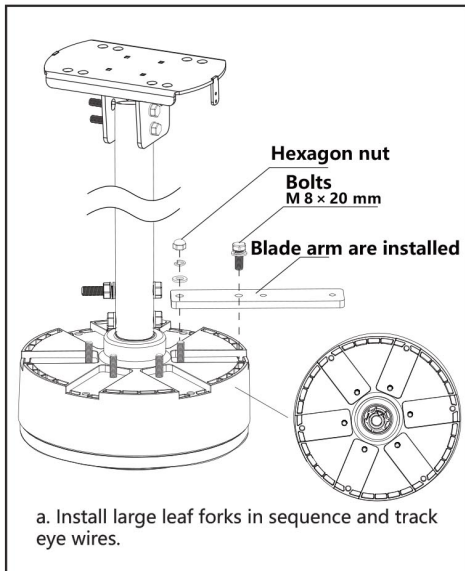
b. Drill holes to install and fasten four expansion screws (the distance between the lower hole of the hanger and the bottom of the beam About 80mm, pay attention to adjust the level).

6.3 Downrod installation method

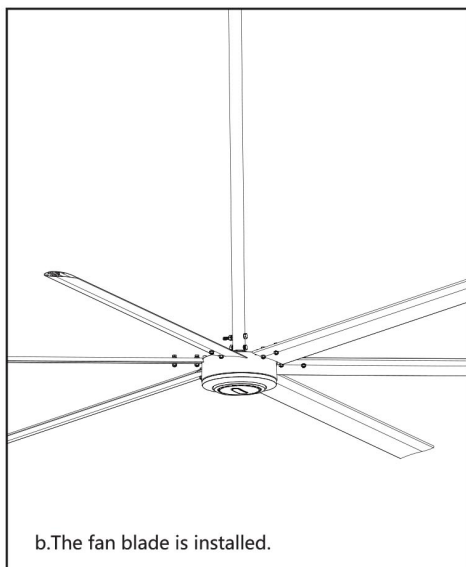
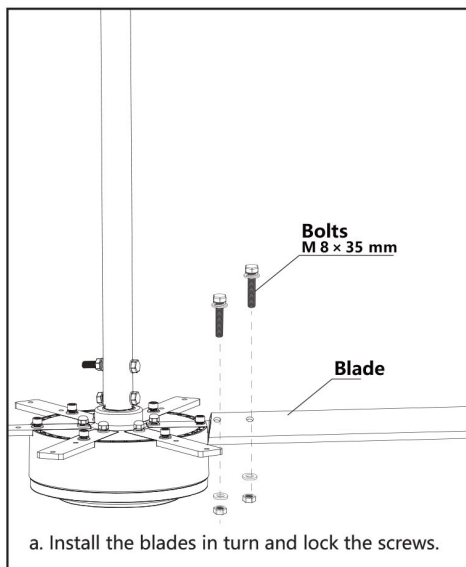


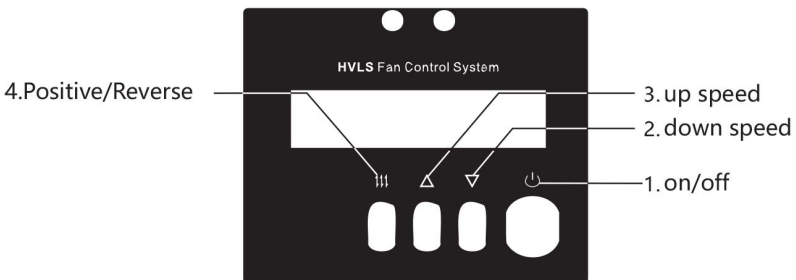
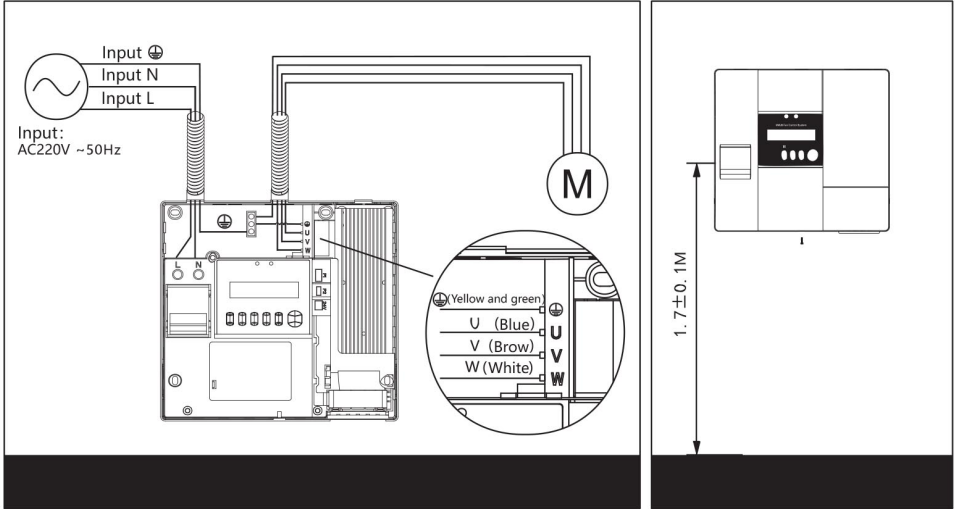
6. Installation Guide

6.4 Blade arm installation method



6.5 Blade installation method





4.Positive/Reverse: Hold down for 1.5 seconds to switch the positive/reverse fan mode.