

Model : Cosmo 2.5M HVLS DC Motor

Specification

1. Product Warranty :

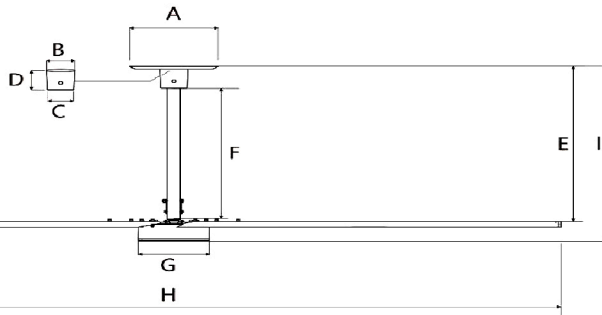


Control Box

2. Features :

Model	Motor Type	Body Material	Blades	Blades Material	Diameter	Control Mode	Net Weight Fan (kg)
Cosmo 2.5 M	DC PMSM Motor	Aluminum Alloy	6	Aluminum Alloy	2.5 M	Control box	23.5

3. Fan Dimension :



Unit : CM								
A	B	C	D	E	F	G	H	I
22.7	/	/	/	105	100	25.5	250	116

4. Power Consumption & Efficiency : (AC220V-50Hz)

Speed	Current (A)	Wattage (W)	Speed (RPM)	Air Flow (m ³ /min)	Efficiency (m ³ /min/W)	m/s	Effective Cover Area
1	0.06	10	30	450	32.14	0.30	200 M ²
2	0.07	12	33	750	50.00	0.50	
3	0.10	18	43	1050	45.65	0.70	
4	0.15	23	52	1350	42.19	0.90	
5	0.20	32	68	1950	45.35	1.30	
6	0.28	45	80	2250	36.29	1.50	
7	0.39	60	92	2550	29.65	1.70	
8	0.55	79	104	3150	26.25	2.10	
9	0.66	105	112	3750	25.86	2.50	
10	0.68	147	130	4200	28.00	2.80	

5. Weight/Size (Carton Box) :

Motor

Gross Weight (kg)	Net Weight (kg)	Size LxWxH (cm)	CU.FT	CU.M
20	16	52 x 31 x 27.5	1.57	0.044

Blade

Gross Weight (kg)	Net Weight (kg)	Size LxWxH (cm)	CU.FT	CU.M
8.5	7	117 x 16.5 x 19	1.30	0.037

Pipe box

Gross Weight (kg)	Net Weight (kg)	Size LxWxH (cm)	CU.FT	CU.M
2	1.5	101 x 4.5 x 4.5	0.07	0.002



Control Box 2 Years Warranty
รับประกันกล่องควบคุม 2 ปี



Motor 10 Years Warranty
รับประกันมอเตอร์ 10 ปี