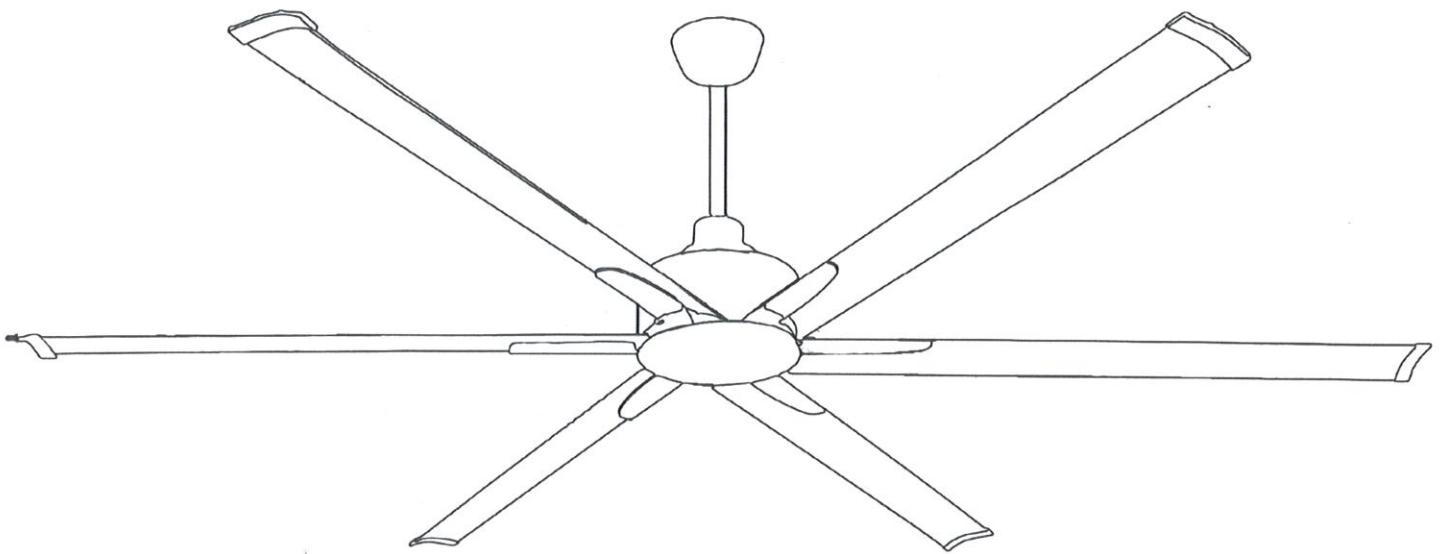


# Owners Manual



**WARNING :** Read and follow these instructions carefully and be mindful of all warnings shown throughout.

## **READ AND SAVE THESE INSTRUCTIONS**

**WARNING: TO REDUCE THE RISK OF FIRE, ELECTRICAL SHOCK, OR INJURY TO PERSONS, PLEASE OBSERVE THE FOLLOWING:**

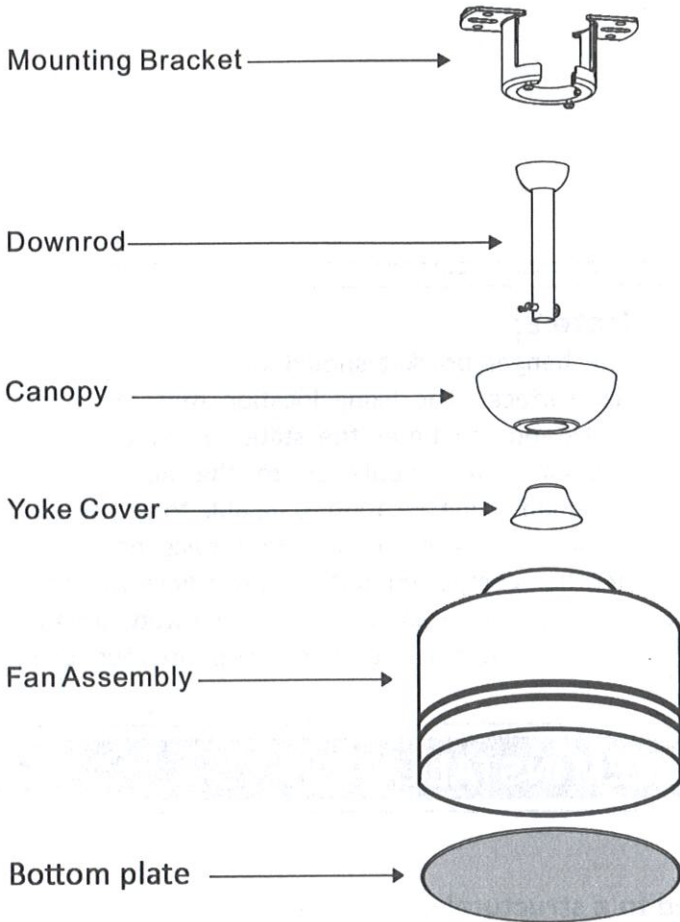
Please observe the following general safety precautions carefully before and during all phases of handling, installation, removal, operation and maintenance of this appliance.

1. Read all instructions and safety information. Review assembly diagrams provided before installing your new ceiling fan.
2. Make sure that all electrical connections comply with local codes, ordinances, or National electrical codes. Hire a qualified electrician or consult a do-it-yourself writing hand book if you are unfamiliar with installing electrical wiring.
3. The fan must be earthed. All electrical works must only be undertaken after disconnection of the power by removing fuses or turning off the circuit breaker, to ensure all pole isolation of the electrical supply.
4. This manual is not intended to instruct or assist untrained or unqualified persons to install this ceiling fan. It is the responsibility of qualified, licensed installer and user to apply common sense and care at all times during installation and operation.
5. To reduce the risk of electric shock, do not use this fan with any solid-state speed control device or variable speed switch.
6. The appliance is not intended for use by young children or infirm persons without supervision. Young children should be supervised to ensure that they do not play with the appliance.
7. Be careful of the fan and blades when cleaning, painting, or working near the fan. Always turn off the power to the ceiling fan before servicing.
8. According to regulations and to provide a safe clearance from the floor, the lowest point on the fan blade must be at least 2.3 meters from the floor.
9. The chosen location for the fan must not allow the rotating blades to come into contact with any object.
10. Please check carefully and make sure that ceiling joists are strong enough and of adequate size to support the weight of the fan.
11. The mounting bracket must be firmly screwed to a load bearing building structure e.g. a concrete ceiling, steel structure, or a timber frame. If additional timber frames are to be added, those must be securely nailed or screwed between the beams.
12. This fan is to be used in dry locations
13. Check and confirm, after the fan is completely installed, that all connections are proper and secure to prevent the fan from failing or causing property damages or personal injury.

**⚠ WARNING:** TO REDUCE THE RISK OF SHOCK, THIS FAN MUST BE INSTALLED WITH A GENERAL USE ISOLATING WALL CONTROL/SWITCH.

**⚠ WARNING:** This product is designed to use only those parts supplied with this product and/or accessories designated specifically for use with this product. Using parts and/or accessories not designated for use with this product could result in personal injury or property damage.

**Unpack and inspect fan carefully to be certain all contents are included.**



**Hardware Bag**

- Canopy Screw x2 
- Expansion Screw x4 
- Wood Screw x4 
- Expansion Screw with J Hook x1 
- Blade Screw with Washer x18 
- Balanced Slice x1 
- 3g Weight Block x3 
- Wire Nut x3 

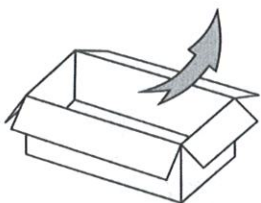
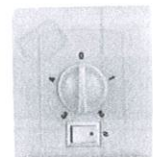
**Remote Control**

- Hardware Bag
- Screw x 2 pcs
- AAA Battery x 2pcs



**Wall Control**

- Hardware Bag
- Screw x 2 pcs
- Wire nuts x 6 pcs
- SM connector x 1 set

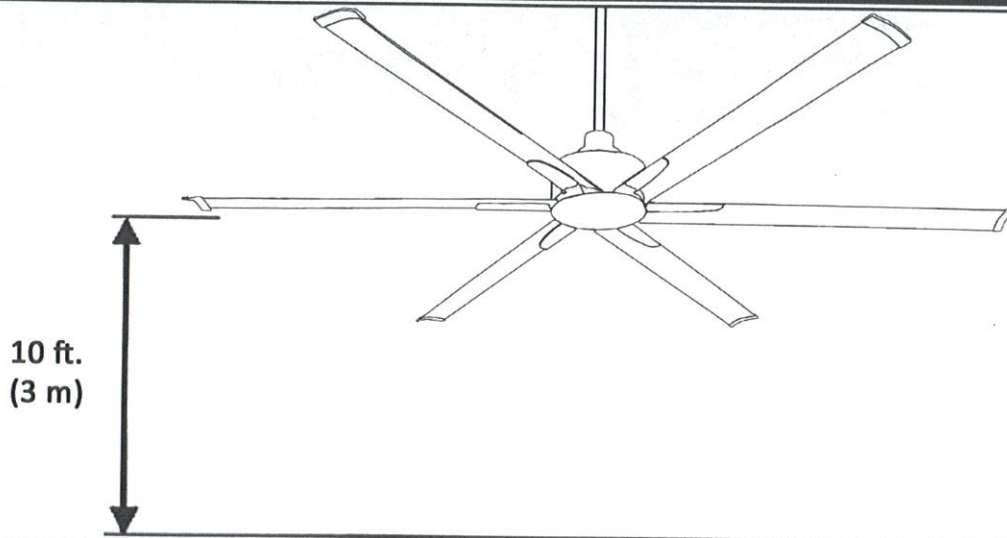


Blades packed separately



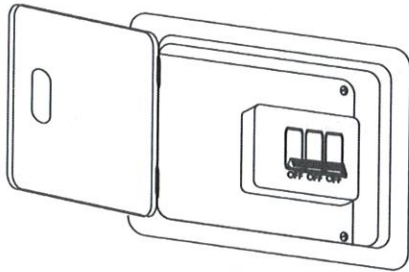
6 pieces per set in a box

**WARNING: blades should be at least 10 feet from floor**



**Note 1:**

Turn off power at breaker box to avoid possible electrical shock.



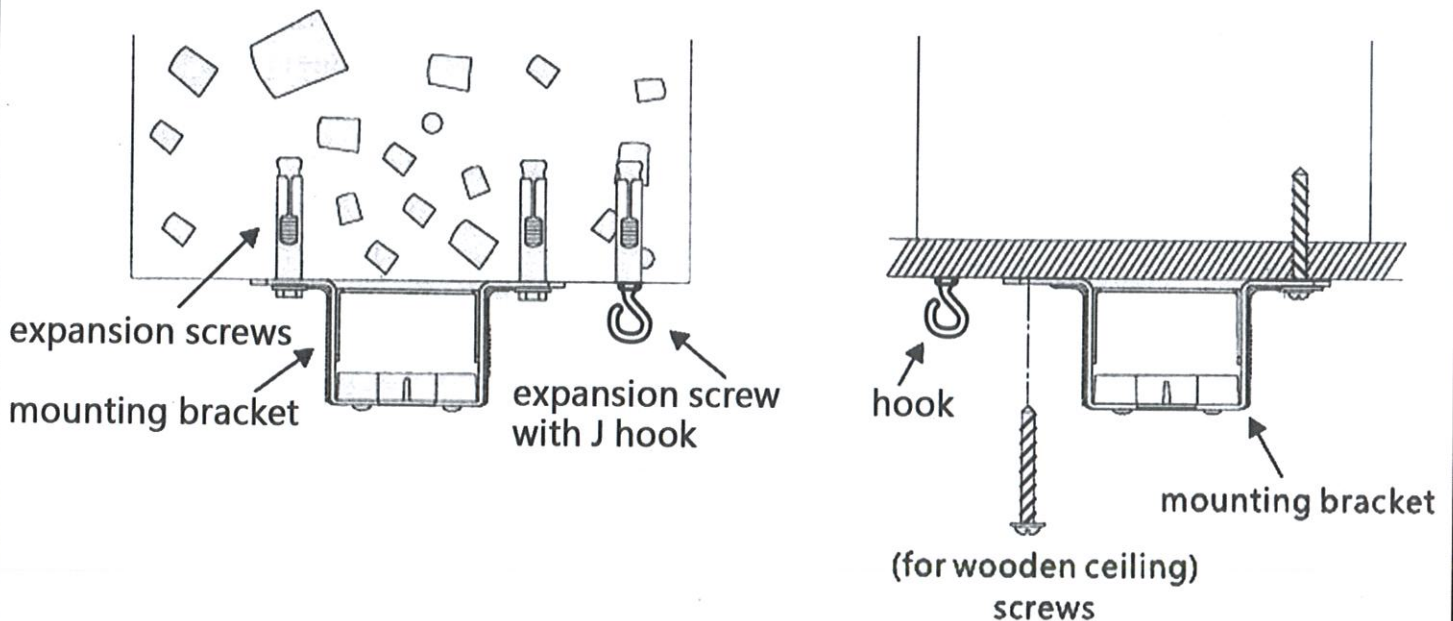
**Note 2:**

The hanger bracket should be screwed on to a firm flat surface. The fixing location must be able to withstand ten times the static weight of the fan. If you have any doubts as to the ability of your intended fixing location to be able to withstand this loading, please contact our service help-line or another competent authority to advise you. In most situation four expansion screws screwed into a wooden joist is more than adequate to support your ceiling fan

**1. HANGING SYSTEM INSTALLATION**

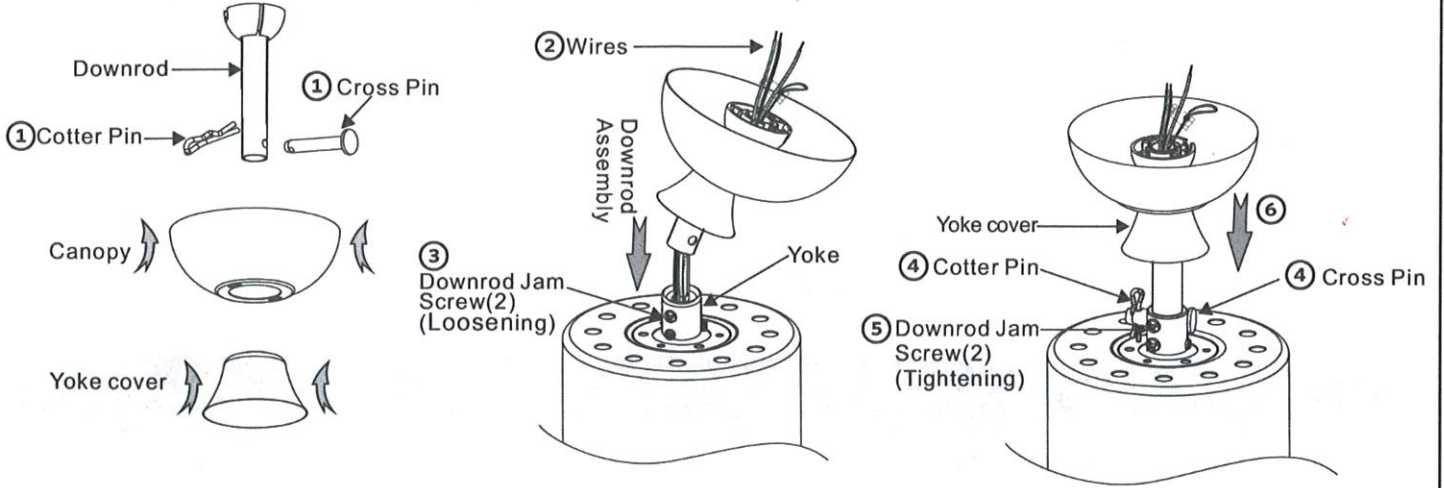
**1A. Installing mounting bracket**

The mounting bracket must be securely fastened to a structural ceiling member. Please choose one of the following ways to install the mounting bracket.



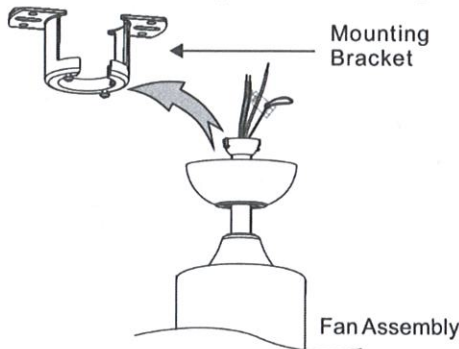
## 1B. Installing Downrod and Yoke

- ① Remove cross pin and cotter pin from downrod.
- ② Insert downrod through canopy and yoke cover, and feed motor lead wires through downrod.
- ③ Loosen 2 downrod jam screws at yoke. Insert downrod assembly into yoke.
- ④ Insert the cross pin through yoke & downrod and secure with cotter pin.
- ⑤ Tighten both downrod jam screws to further secure downrod.
- ⑥ Pull down the yoke cover to cover yoke.

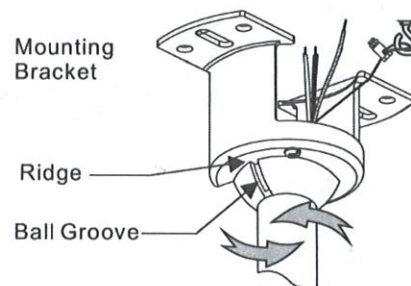


## 1C. Hanging the fan

Lift fan assembly onto mounting bracket.



Rotate fan so that the groove on the ball engages the ridge in the mounting bracket.



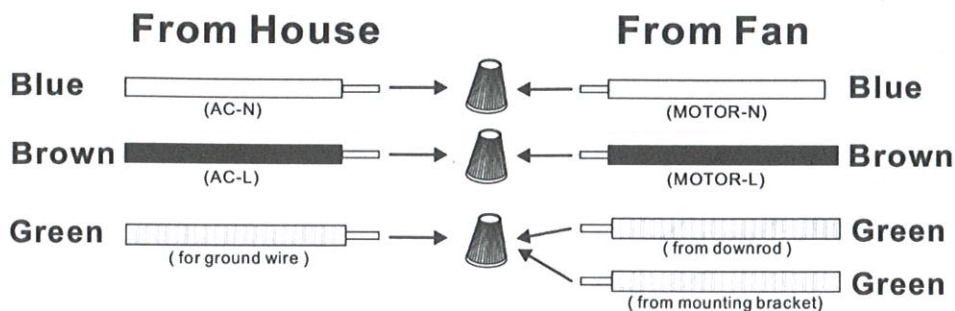
The safety cable must be fastened on hook.

## 2. WIRE CONNECTION

### Making electrical wire connection

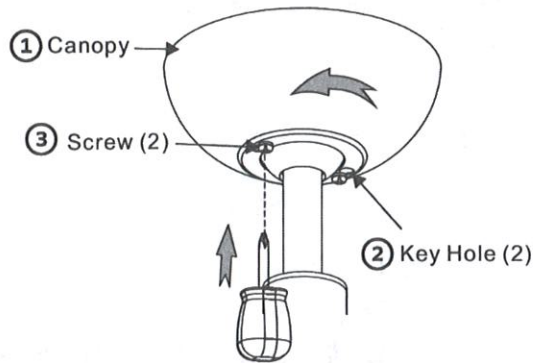
Follow diagram below and make sure that all exposed wires are secured inside wire nuts or terminal block.  
Note : Wires from house may vary in color and may not include ground wire ( green ).

- \*Blue wire from house to blue wire from fan
- \*Brown wire from house to brown wire from fan
- \*Ground wire from house to green wires from downrod and from mounting bracket
- \*Secure with twist - lock wire nuts ( provided from hardware bag )
- \*Gently push wires into junction box with wire nuts pointing upward.



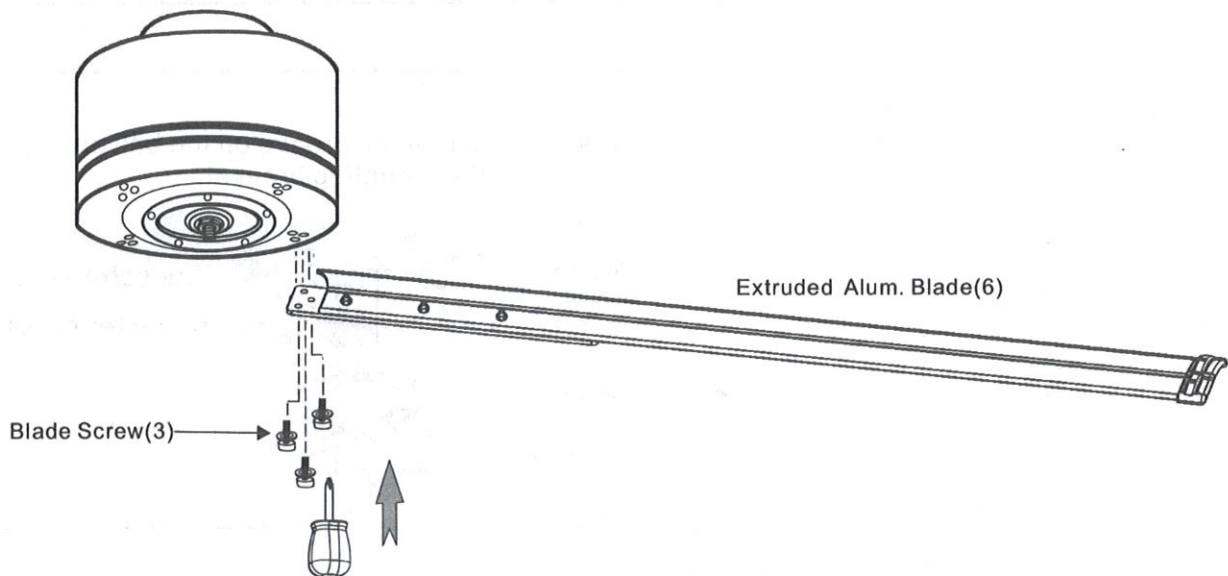
### 3. CANOPY INSTALLATION

- ① Screw two canopy screws into mounting bracket. Push up canopy until two screws pre-screwed on mounting bracket are engaged with two key holes on canopy.
- ② Rotate canopy slightly until two pre-installed screw heads are engaged in the narrow end of key holes.
- ③ Tighten both screws



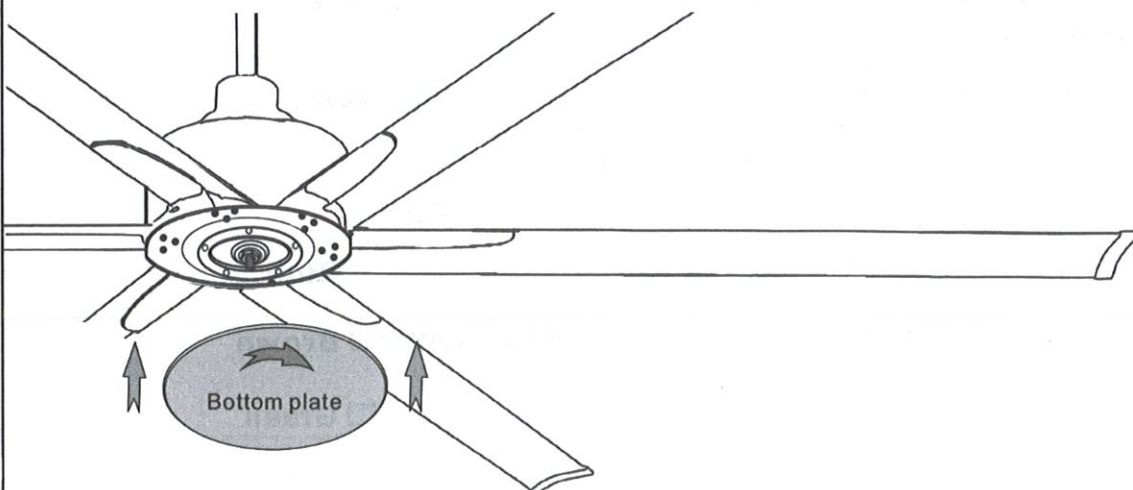
### 4. BLADE INSTALLATION

Attach blades to fan assembly by using flat washers & screws provided from hardware bag.  
(\* Repeat until all 6 blades are installed firmly.)



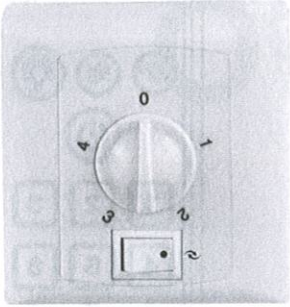
### 5. BOTTOM PLATE INSTALLATION

Attach the bottom plate by screwing it clockwise onto the motor shaft.



## 6. WALL CONTROL SETTING

### 6A. Function Description



0: Stop

1: Turn on ceiling fan at 1st speed (high speed).

2: Turn on ceiling fan at 2nd speed

3: Turn on ceiling fan at 3rd speed

4: Turn on ceiling fan at 4th speed (lowest speed).

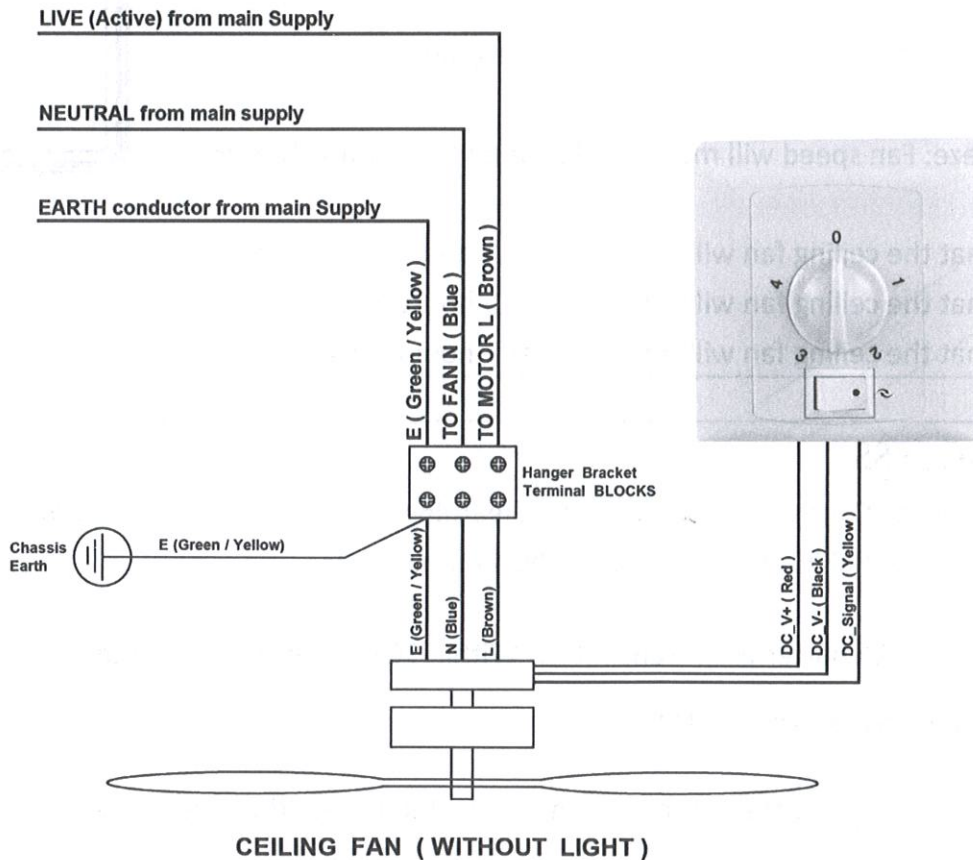
↻ : Clockwise (Forward)

Note:

a. Switching to the ↻ : clockwise mode (Forward)

b. Switching to the opposite side: reverse to the counterclockwise mode (Reverse)

### 6B. DC Wall Control Wire Connection



### 6C. Initial Setting

- ① Switching to ↻ to turn on clockwise function (Forward).
- ② Within 30 seconds of turning the Receivers AC power ON. Switching to 1st speed.
- ③ Once the receiver has detected the signal, the receiver will beep twice.



YOUR FAN IS READY TO OPERATION 😊

## 7. REMOTE CONTROL


### 7A. FUNCTION DESCRIPTION

#### FAN:

1. Turn on ceiling fan at 1st speed (lowest speed).
2. Turn on ceiling fan at 2nd speed.
3. Turn on ceiling fan at 3rd speed.
4. Turn on ceiling fan at 4th speed.
5. Turn on ceiling fan at 5th speed.
6. Turn on ceiling fan at 6th speed (high speed).

 : Turn off ceiling fan.

#### LIGHT:

 LIGHT ON/OFF—Touch this icon and release instantly to turn on or off the light.

 Touch icon for forward/reverse airflow of ceiling fan.

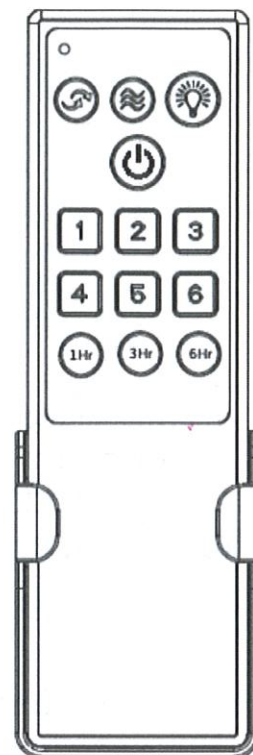
 Natural breeze: Fan speed will modulate to simulate a natural breeze.

#### FAN TIMER:

1hr: Setting up that the ceiling fan will turn off after 1 hour automatically.


3hr: Setting up that the ceiling fan will turn off after 3 hours automatically.


6hr: Setting up that the ceiling fan will turn off after 6 hours automatically.



### 7B. LEARNING PROCESS

**NOTE :** The Hand Held Remote Control is equipped with a learning ID function which has code combinations to prevent potential interference from other remote units.

**Step: 1.** Install 2pcs DC1.5V/AAA batteries in transmitter. Within 30 seconds of turning the Receiver AC power ON, press the transmitter “” button.

**Step: 2.** Press  about 5 seconds, once the receiver has detected the ID, the receiver will make sound, Bi Bi, twice. This will indicate the receiver has learned the ID that was previously selected on the transmitter.

**Note:** After the AC power is on, do not press any other buttons on the transmitter before touching button. Because doing so will cause the procedure to fail. After completing the steps above, you should be able to operate the ceiling fan and light. If the ceiling fan is not responding to the transmitter, please turn the power off to the receiver and repeat step 1 and 2.

**Note:** Remove the battery if not used for long periods of time to prevent damage to the hand held remote.

YOUR FAN IS READY TO OPERATION 