

# Model : Vivi Wall Fan

## Spec.Description



Black - Walnut  
# 5300



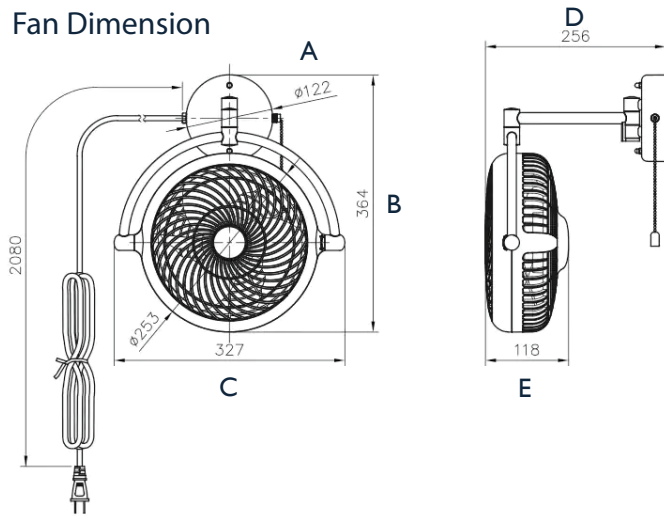
Black  
# 4430



White  
# 4430

Model	Motor type	Body Material	Blades	Blades Material	Fan Sweep (Diameter)	Control Mode
VIVI Wall Fan	AC Motor	Steel Plate	3	Acrylonitrile Styren(AS)	8	Pull Chain

### Fan Dimension



Unit : CM.				
A	B	C	D	E
12.2	36.4	32.7	25.6	11.8

### Specification

Color	Voltage	Rotating Speed	Sound (dbA)	Power consumption(W)	Wind speed (m/s)	Weight(kg)
black/white	110VAC / 60Hz	High	41	27	9	2
		Low	30	12	5.5	

### Weight/Size (carton Box)

Gross Weight (Kgs.)	Net Weight (Kgs.)	Size LxWxH (cm.)	CU.FT	CU.M
	2			