



FINO-CHIC

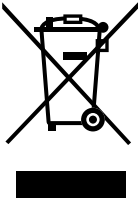
Assembly and installation manual of ceiling fan

Warning

This appliance is not intended for use by persons (including children) with reduced physical, sensory or mental capabilities, or lack of experience and knowledge, unless they have been given supervision or instruction concerning use of the appliance by a person responsible for their safety. Children should be supervised to ensure that they do not play with the appliance.

This appliance can be used by children aged from 8 years and above and persons with reduced physical, sensory or mental capabilities or lack of experience and knowledge if they have been given supervision or instruction concerning use of the appliance in a safe way and understand the hazards involved. Children shall not play with the appliance. Cleaning and user maintenance shall not be made by children without supervision.

If unusual oscillating movement is observed, immediately stop using the ceiling fan and contact the manufacturer, its service agent or suitably qualified persons.

	Correct Disposal of this product
	This marking indicates that this product should not be disposed with other household. Wastes throughout the EU. To prevent possible harm to the environment or human health from uncontrolled waste disposal, recycle it responsibly to promote the sustainable reuse of material resources. To return your used device, please use the return and collection systems or contact the retailer where the product was purchased. They can take this product for environmental safe recycling.

NOTE: If you have lost the Owner's Manual, please contact the local agent or visit <http://www.ventotw.com/EN/ENindex.html> or send email to service@ventotw.com for electronic version.

Maintenance:

- The maintenance cycle and method of maintenance; every four month clean the dust of fan surface by soft wet rag, with clean water only.
- The weight of the appliance in kilograms; Fino-Chic Seed shape: 4.2kg, Heart shape:4.3kg, Sakura shape:4.5kg
- That the replacement of parts of the safety suspension system device shall be performed by the manufacturer, its service agent or suitably qualified persons.
- The fixing means for attachment to the ceiling such as hooks or other devices shall be fixed with a sufficient strength to withstand 4 times the weight of the ceiling fan;
- That the mounting of the suspension system shall be performed by the manufacturer, its service agent or suitably qualified persons.



VENTO

The energy conservation reduces the carbon is our responsibility

Care of Your Fan

Here are some suggestions to help you maintain your fan.

1. Because of the fan's natural movement, some connections may become loose. Check the support connections, brackets, and blade attachments twice a year. Make sure they are secure. (It is not necessary to remove fan from ceiling.)
2. Clean your fan periodically to help maintain its new appearance over the years. Do not use water when cleaning, this could damage the motor or possibly cause an electrical shock. Use only a soft brush or lint-free cloth to avoid scratching the finish. The plating is sealed with a lacquer to minimize discoloration or tarnishing.
Warning: Make sure the power is off before cleaning your fan.
3. There is no need to oil your fan. The motor has permanently lubricated sealed ball bearings.

Index

Important safety instructions	01
Accessory	02
Installation guide	03~06
Remote control operation instruction	07
First time setting of R/C	08
Maintenance 、 Trouble shooting	09

Trouble shooting

Problem A: Fan do not start

Remedies:

1. Check the transmitter and confirm whether there is any battery poor contact or coming off. Replace battery if necessary.
2. Turn off power and check wiring connection.

Problem B: Excessively noise

Remedies:

1. Check all the screws to see whether they are completely tightened.
2. Properly grease all the motor transmission structure to ensure working smoothly.

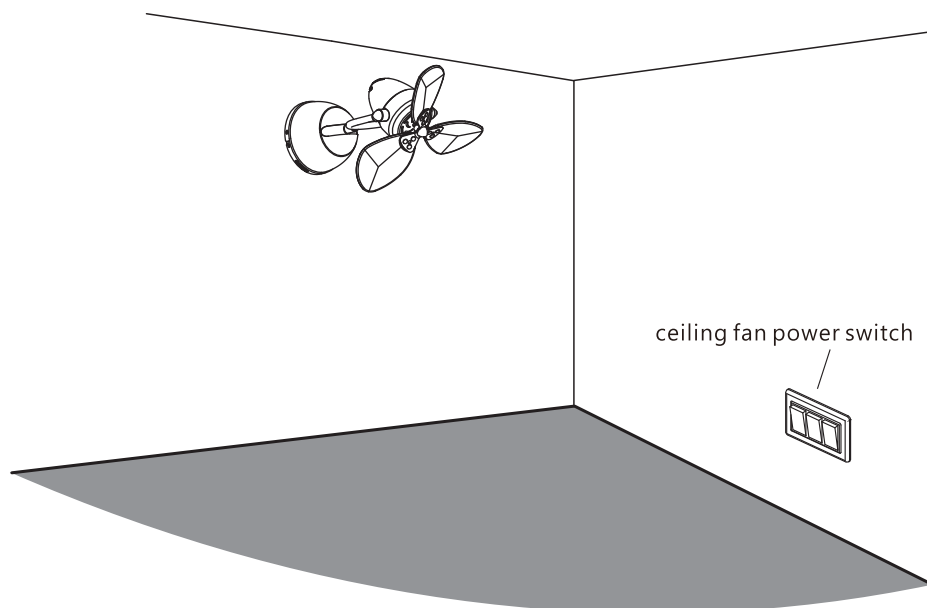
Problem C: Serious wobble

Remedies:

1. Check and make sure that all the blades are completely fixed or not.
2. Check all the screws on the downrod are tightened or not.

1. When you use it for the first time , before setting please turn off "fan power" , and press "Indicator display" button as basic setting.
2. Press "Indicator display" button and turn on "fan power" ,you will hear a "beep" sound which means the setting is accomplished.

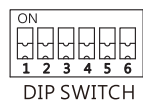
※ if there is any poor signal condition , please repeat above steps or replace batteries.



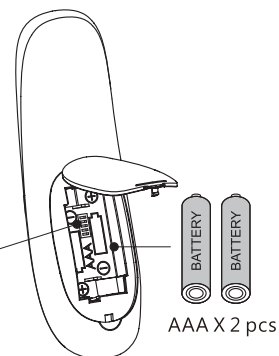
3. If there are two ceiling fans installed in the same space, please adjust the dip switch on the transmitter to make each fan controlled with different setting. Please follow step 1 and step 2 to do the setting after adjustment.

※ PIN 1 no function.

Please setting PIN 2~PIN 6.



DIP SWITCH



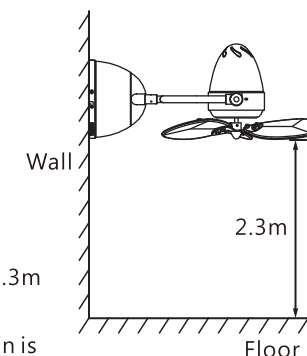
AAA X 2 pcs

! Attention

Please read all the manual and warranty card thoroughly before installation.

(according to the voltage specification on each product)

1. Installation must be carried out by a qualified electrician.
2. Turn off the electrical mains at the circuit breaker/fuse box.
3. Do not use power supply other than 220V-240V/50Hz-60Hz.
4. This appliance must be earthed.
5. The mounting bracket must be able to withhold a min. weight of 35 pounds. Mounting bracket must be fixed on the ceiling and pull it right after installation.
6. The ceiling fan must be mounted at a min. height of 7.5 feet / 2.3m of clearance from the floor.
7. Do not place any objects in the path of the blades. While the fan is running, there should not be anything crashing fan blades to prevent any dangerous situation.
8. When all electrical connections are done, store all wires neatly.
9. Make sure that all screws and connections are tightly screwed and secured.
10. Please replace a complete set instead of part of it while the product lifespan is due.
11. Please prevent too much moisture on the position where you would like to install ceiling fan.
12. Don't mix the blades together when you purchase more than one set.
13. Fan must be turned off and stopped before reversing fan direction.
14. Please install the cords following the order of ground cord, fire cord and neutral cord.
15. There must be at least 80 cm gap between two ceiling fans.
16. Do not place ceiling fan underneath the lighting, that will cause shaking shade.
17. This appliance is not intended for use by persons (including children) with reduced physical, sensory or mental capabilities, or lack of experience and knowledge, unless they have been given supervision or instruction concerning use of the appliance by a person responsible for their safety.
18. Children should be supervised to ensure that they do not play with the appliance.
19. This appliance can be used by children aged from 8 years and above and persons with reduced physical, sensory or mental capabilities or lack of experience and knowledge if they have been given supervision or instruction concerning use of the appliance in a safe way and understand the hazards involved. Children shall not play with the appliance. Cleaning and user maintenance shall not be made by children without supervision.



Warning

This product is designed to use only those parts supplied with this product and/or accessories designated specifically for using with this product. Using parts and/or accessories not designated for using with this product could result in personal injury or property damage.

Note

This illustrations in this manual are for explanation purposes only and may differ from the actual unit. It is subjected to change without prior notice for further improvements.

Before installation, please check out all the accessories inside the carton if there is no shortage, you may start it.

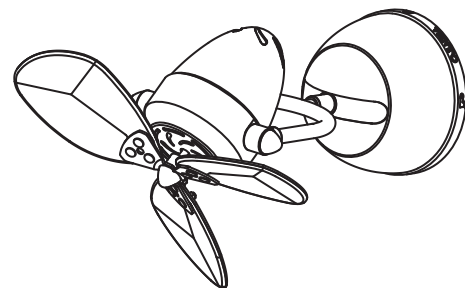
(For convenience, some screws are already attached to the main parts)

- Mounting bracket assembly
- Canopy
- Blade set
- Motor housing with cover
- Screw kit

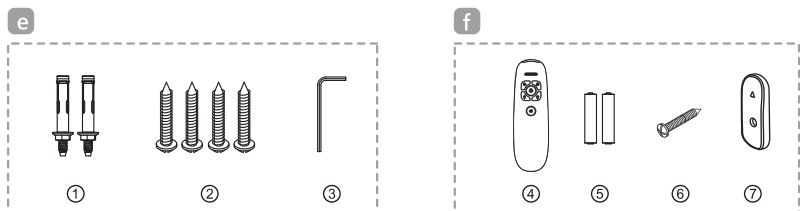
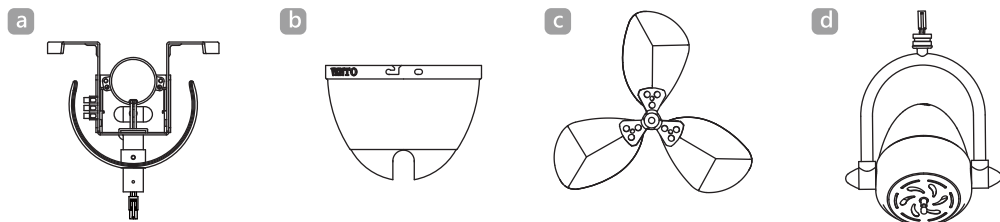
- Expansion screws x 2 (optional)
- Screws for wooden ceiling x 4
- Hex wrench x 1

- Remote control kit

- Transmitter x 1
- AAA Battery x 2
- Screw for R/C wall bracket x 1
- Transmitter holder x 1

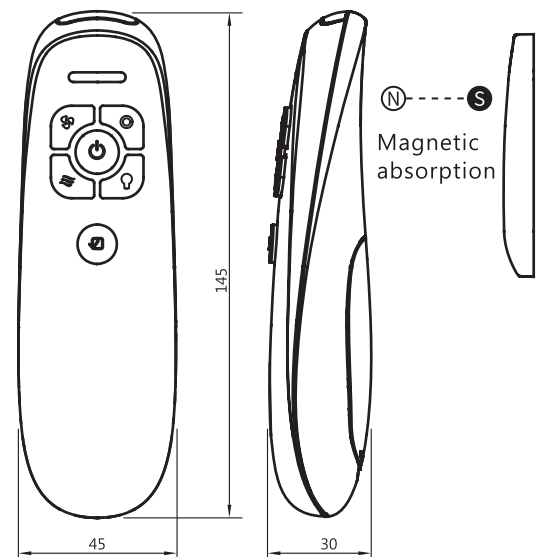


※ Diagram may differ by the actual blade set you ordered.

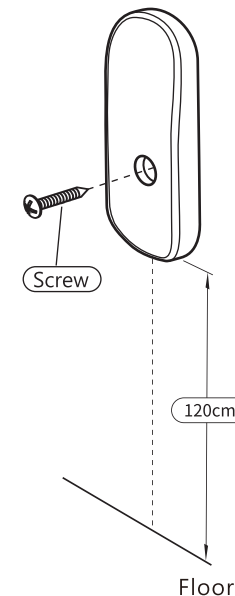


Instruction of remote control

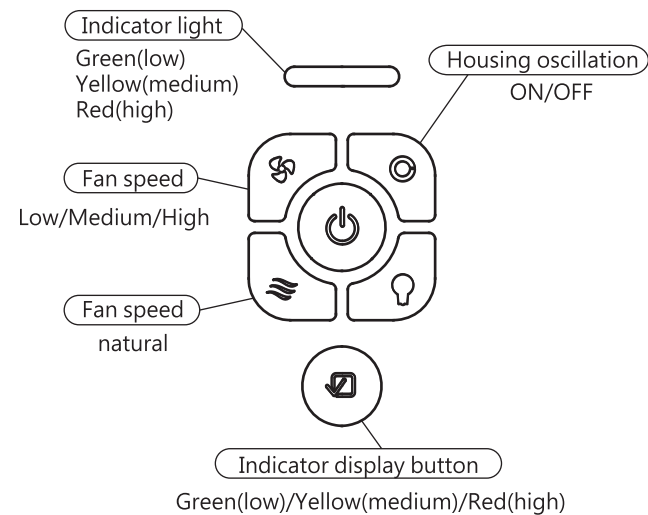
● Appearance and size



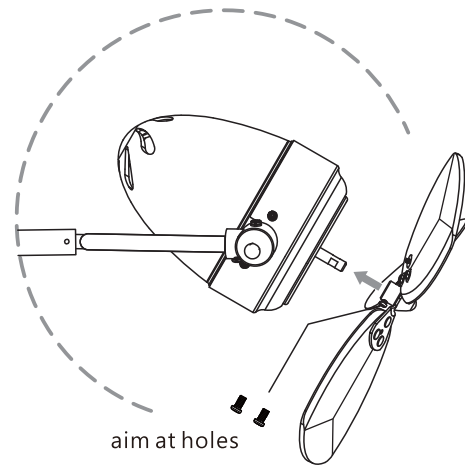
● Installation of transmitter holder



● Control panel operation



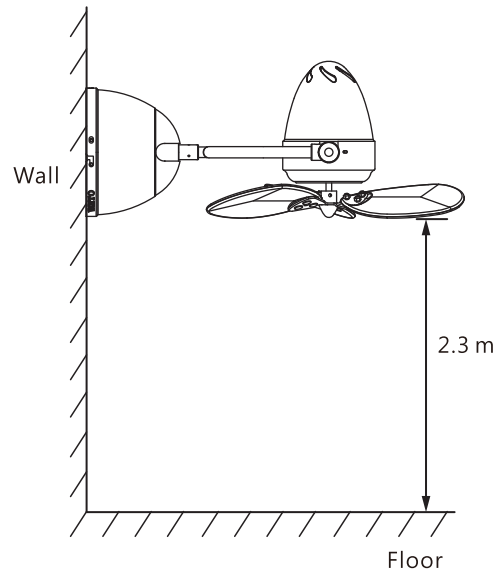
G



H -1

Wall fan installation height :

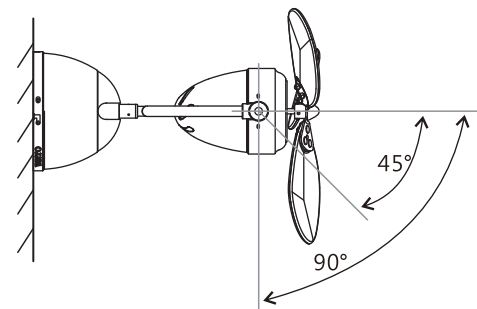
The ceiling fan must be mounted at a min. height of 7.5 feet / 2.3m of clearance from the floor.



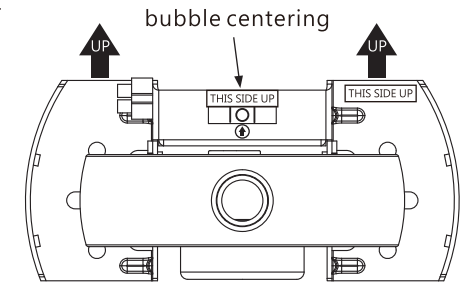
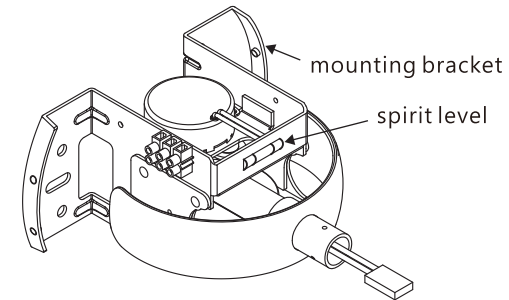
H -2

Vertical adjustment :

Loosen one screw on each left and right side and adjust new angles until they are well fixed.



- A** Please check the bubble of spirit level is centered before install the mounting bracket. Make sure the mounting bracket runs parallel to the surface.

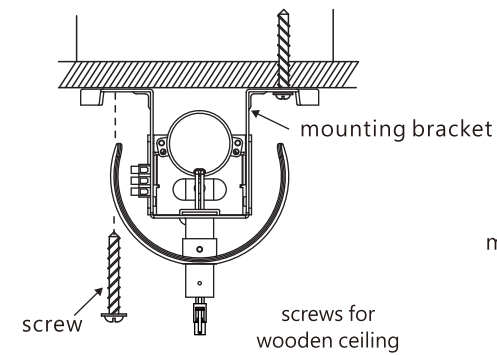


B -1

For wooden ceiling :

Fix the fixing bracket on the ceiling to avoid dangerous falling situation.

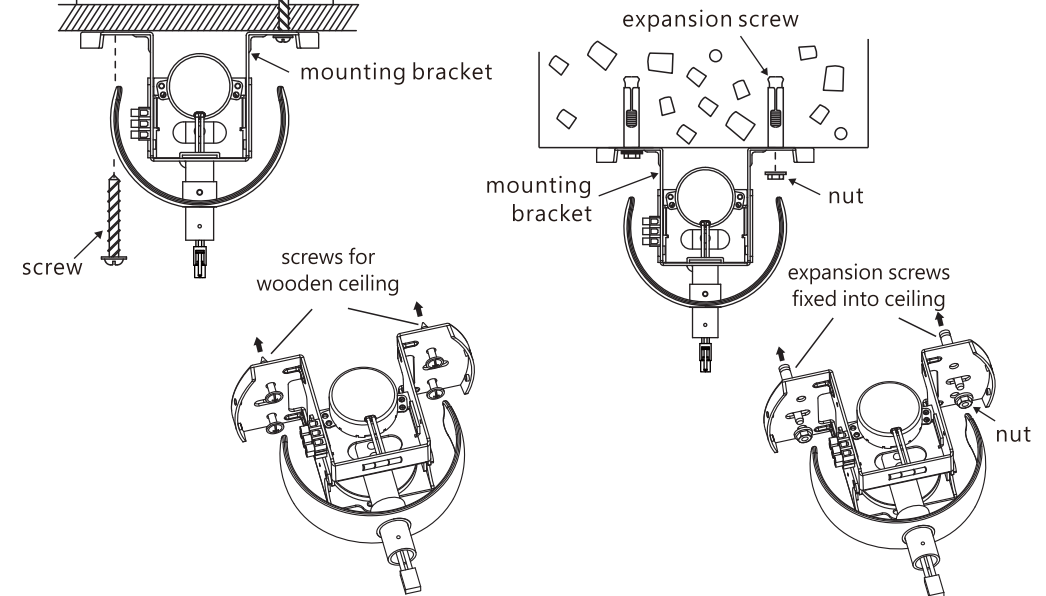
※ It's suitable for wooden ceiling only.



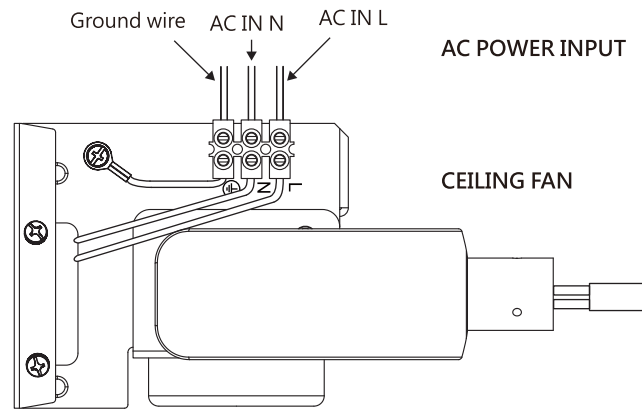
B -2

For concrete ceiling :

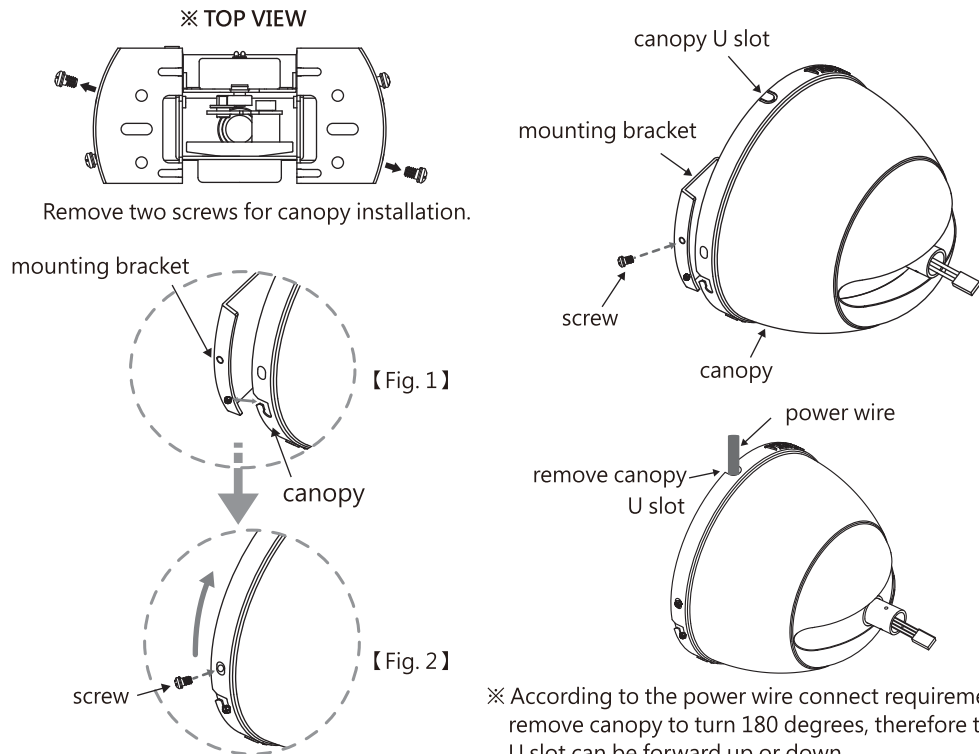
Please use 1/4" power driller to make two holes, then fix two expansion screws into concrete ceiling, and remove the screw nut. Then install the mounting bracket by matching the holes and screws and finally use the screw nut to fix them.



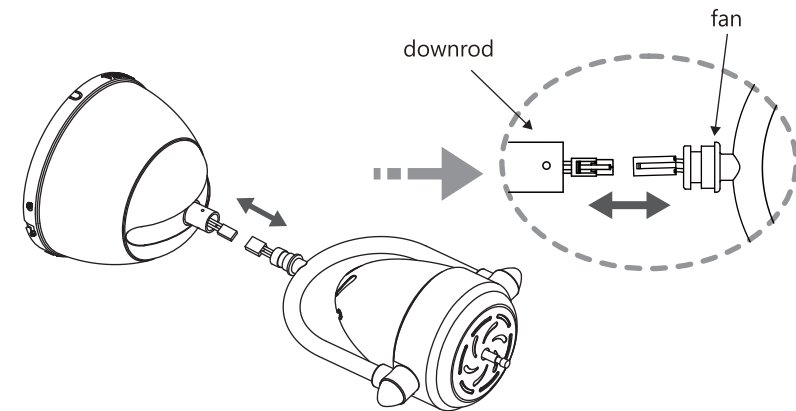
C Wiring diagram.



- D** Remove two screws placed diagonally opposite on the mounting bracket. Attaching canopy to align the L slots in the canopy with the canopy assembly screws installed in Fig.1. Turn the canopy counterclockwise until the mounting bracket assembly screws are firmly situated in the narrow end of the L slots as shown in Fig.2.



- E** Connect the plug connector from the downrod to the plug connector from the fan.



- F** Install downrod and fan body, use hex wrench from screw pack to tighten the 3pcs hex socket screw

