

# Model :AUDRA #28500

## Spec.Description

### 1 Product Warranty



Audra

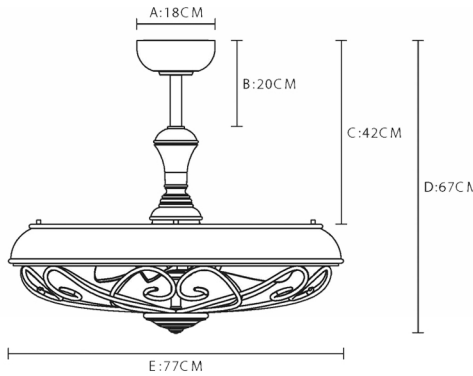


AUDRA

### 2 Feature

Model	Motor Type	Body Material	Blades	Blades Material	Fan Sweep (Diameter)	Control Mode	Lighting
AUDRA	DC motor	Steel/Resin	3	PP Blades	22"	Remote Control	LED

### 3 Fan Dimension



Unit : CM.				
A	B	C	D	E
18	20	42	67	77

### Power Consumption & Efficiency: (AC220V~50Hz)

Speed	Current(A)	Wattage(W)	Motor Speed (RPM)	Air Flow(CFM)	Efficiency (CFM/W)
1	0.033	2.5	100	1570	628
2	0.045	4.5	155	2538	564
3	0.081	6.3	210	3596	570
4	0.124	15.1	265	4450	294
5	0.216	27	320	5057	187

### Weight/Size (Carton Box):

Gross Weight (Kgs.)	Net Weight (Kgs.)	Size LxWxH (Cm.)	CU.FT	CU.M
16.7	22.8	85x85x45	11.5	0.33