

Model: TILE FAN SA-398D

Spec. Description

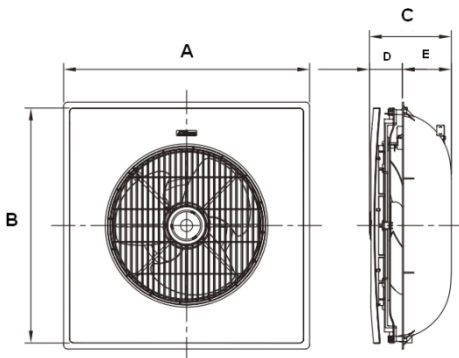
1 Product



2 Feature

Model	Motor Type	Body Material	Blades	Blades Material	Fan Sweep (Diameter)	Control Mode	Lighting
SA-398D	DC Motor	Plastic	3	Plastic	14"	Remote Control	n/a

3 Fan Dimension



Unit : CM				
A	B	C	D	E
60.3	56.8	21.8	0.88	13

4 Power Consumption & Efficiency

Speed	Voltage Frequency	Wattage(W)	Motor Speed(RPM)	Air Flow(CFM)	Sound Level (dBA)
Hi	100V-240V 50/60HZ	28	1135	4891.11	58
Med		16.5	860	3825.78	50
Low		7.5	540	2548.56	39

5 Weight/Size (Carton Box)

Gross Weight(Kgs.)	Net Weight(Kgs.)	Size LxWxH(Cm)	CU.FT	CU.M
4.5	3.5	61.8x23x62.3	3.13	0.089