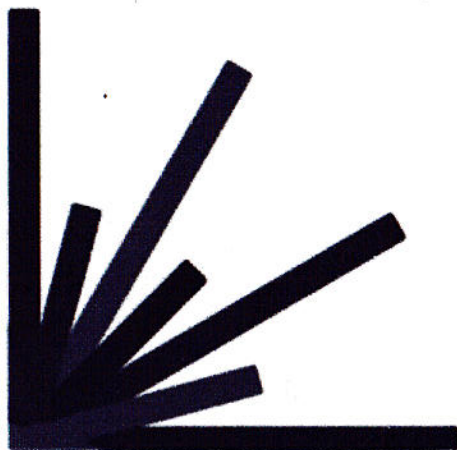
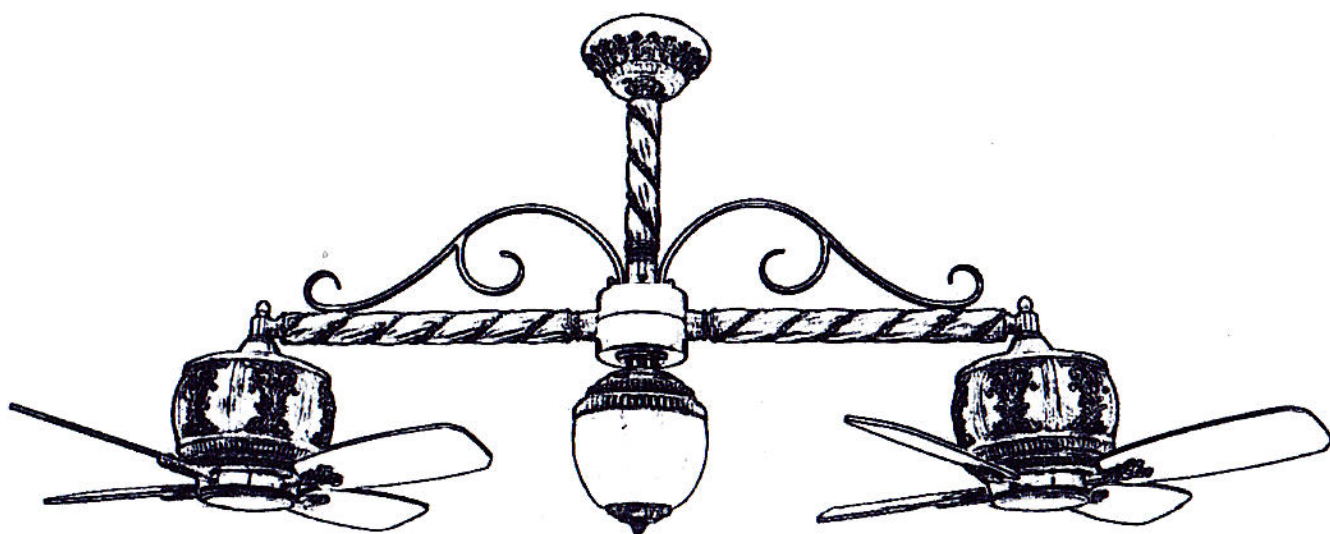


MR KEN

Aesthetics of Wind
Since 1985



CEILING FAN



**MODEL NAME: ROYAL
INSTRUCTION MANUAL**

Instruction sheet

Safety information

1. Before you begin installing the fan, shut power off at the circuit breaker of the fuse box.
2. Allow a minimum clearance of 2.3m from floor to the ceiling and 46cm from the tip of blade to the wall.
3. After you install the fan, make sure that all mounting components are secured to prevent the fan from falling.
4. Make sure the installation site you choose allows the fan blades to rotate without any obstructions.
5. Turn the fan off and wait for the blades to stop completely before cleaning or moving the fan.

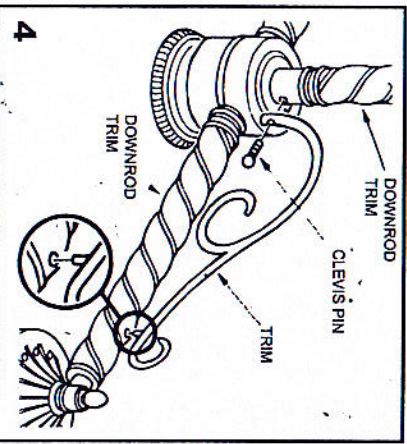
Other safety information

1. In installing the fan, cleaning the fan or using balance kit to adjust the fan, take more attention on the blade holder, and do not put and hang anything on the blades.
2. Do not use any other speed control to adjust the RPM on this fan.

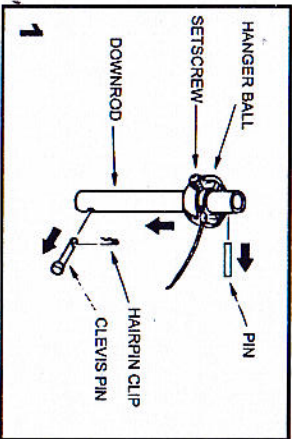
Component list

1. canopy (1 pcs)
2. hanger bracket(1 set)
3. fan body(1 set)
4. blade holder(8 pcs)
5. blade(8 pcs)
- 6 control set
7. screw pack
8. balance kit
9. decorative cap

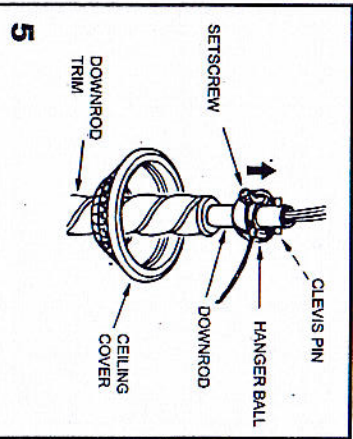
Put on the cover first and then the downrod trim, and fasten the screw.



Remove the hanger ball from the downrod by loosening the setscrew in the hanger ball until the ball falls freely down the downrod. Remove the pin from the downrod, then remove the hanger ball.

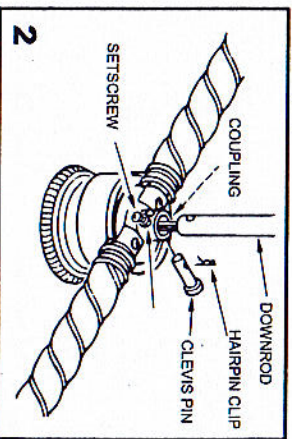


Install the pin through the holes at top of the downrod and slide the hanger ball up the downrod, aligning the ball so the pin is captured in the groove in the top of the hanger ball.

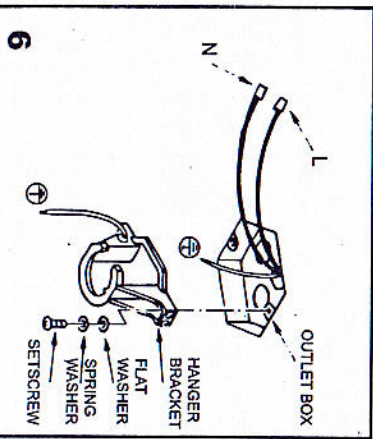


Align the clevis pin holes in the downrod with the holes in the motor coupling. Install the clevis pin and secure with the hairpin.

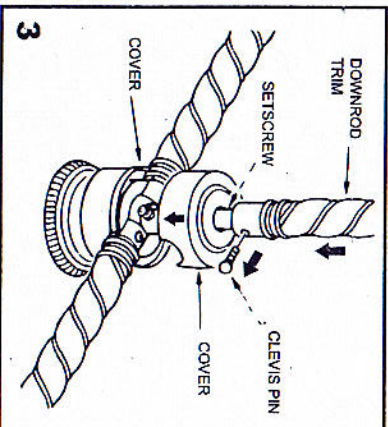
The clevis pin must go through the holes in the motor coupling and the holes in the downrod. push the straight leg of the hairpin clip through the hole near the end of the clevis pin until the curved portion of the hairpin clip snaps around the clevis pin.



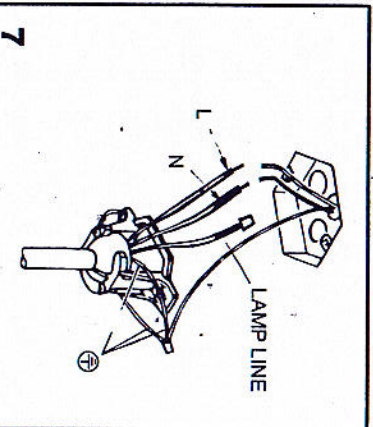
Hanger bracket must seat firmly against outlet box first, connect the same color wire between the receiver and The outlet box with leads.



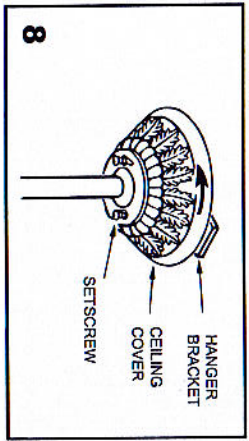
Put on the cover first and then the downrod trim.



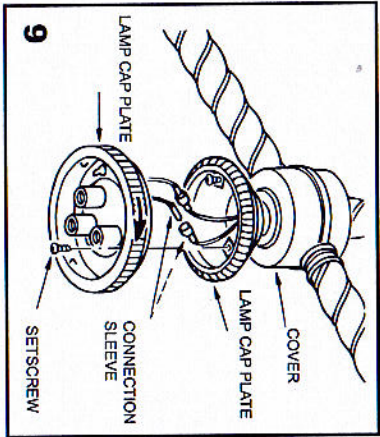
Connect the receiver wire and the outlet box wire with the same color.



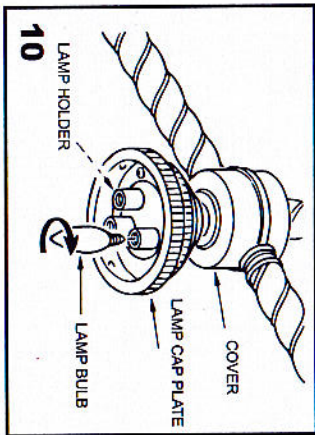
Following the arrow direction to fix the ceiling cover to the hanger bracket.



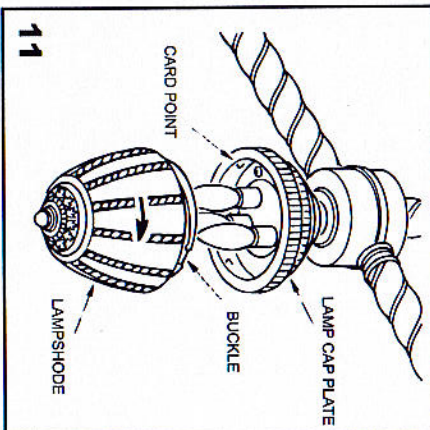
Connect well the lamp cap plate wire with main body wire.
Fixing lamp cap plate onto the lamp cap plate B.



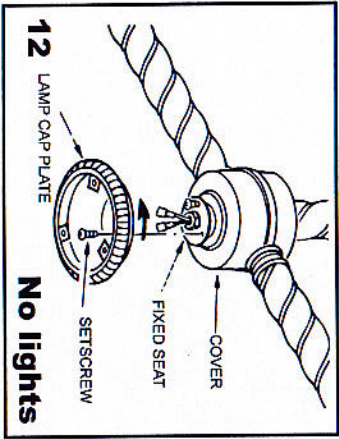
Install the bulbs into the lamp holder



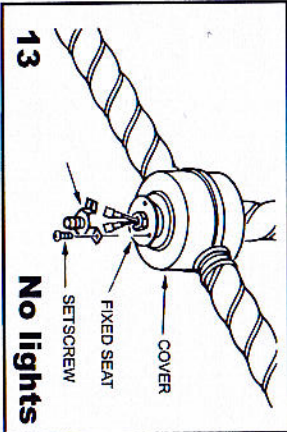
Install the bulbs into the lamp holder



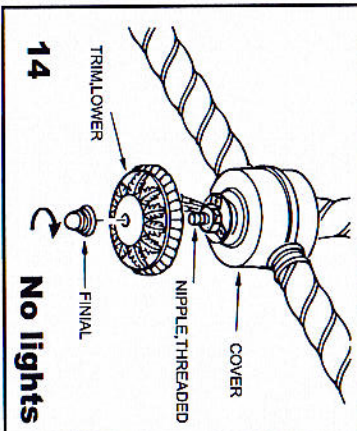
If no install lights, remove the lamp cap plate and lamp shade.



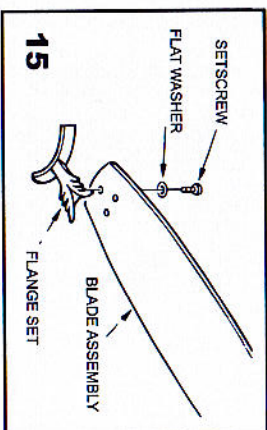
Fix the fixed pin into the fixed seat



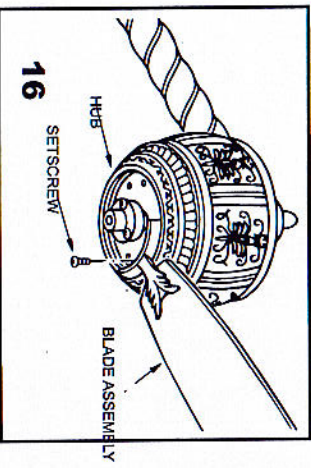
Using finial to fix the trim lower into the Fixed seat



Using set screw and flat washer to fix the blade and the blade bracket.



Fixing the blade bracket into the fan motor



Screw the trim cover into the fixed seat

