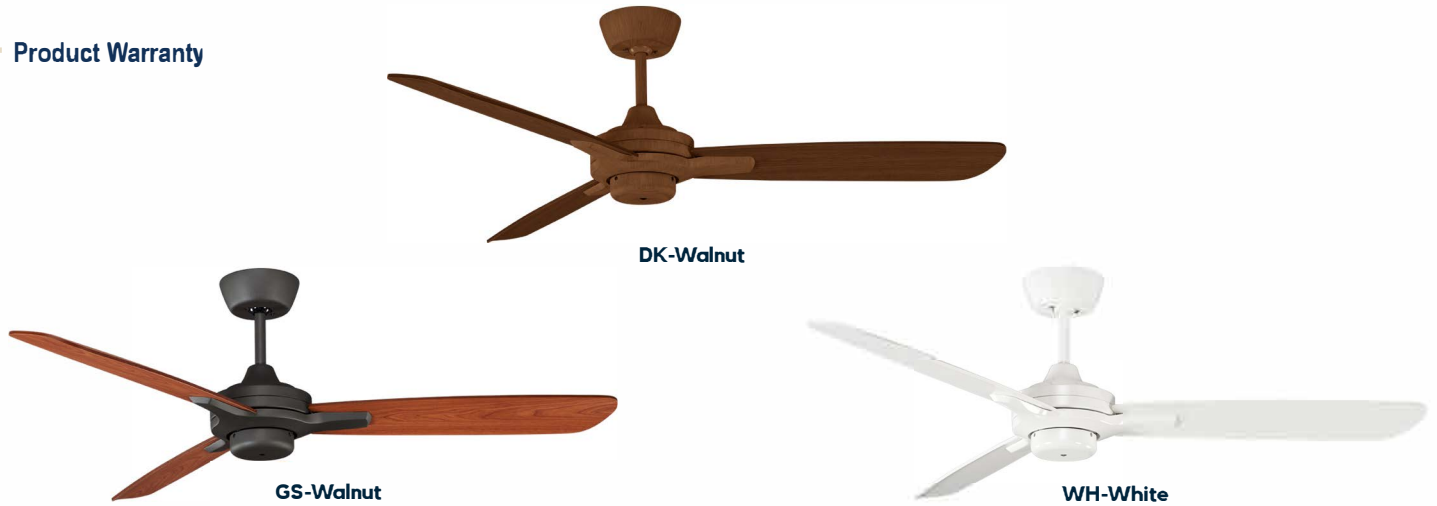


Spec. Description

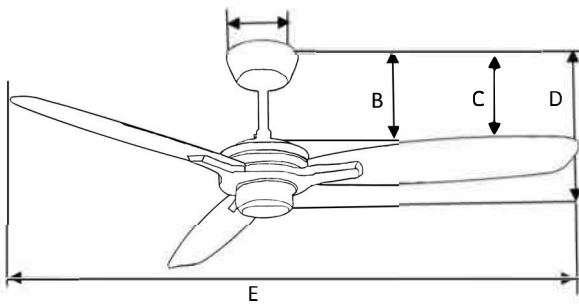
1 Product Warranty



2 Feature

Model	Motor Type	Body Material	Blades	Blades Material	Fan Sweep (Diameter)	Control Mode	Lighting
Triminal	AC Motor	Steel Plate	3	Plywood	52"	Wall Control (Optional Remote Control)	n/a

3 Fan Dimension



Unit : CM.				
A	B	C	D	E
15	21	28	35	132

4 Power Consumption & Efficiency

Speed	Current(A)	Wattage(W)	Motor Speed(RPM)	Air Flow(CFM)	Efficiency(CFM/W)	m/s
1	0.40	89	182	5620	64	-
2	0.27	35	114	3520	100	-
3	0.19	17	76	2320	136	-
4	0.12	7	46	1600	228	-

5 Weight/Size (Carton Box)

Gross Weight (Kgs.)	Net Weight (Kgs.)	Size LxWxH (Cm.)	CU.FT	CU.M
8.1	7.1	60.8 x 36.8 x 18.5	1.46	0.06