



MEGA

Assembly and installation manual of ceiling fan



VENTO

The energy conservation reduces the carbon is our responsibility

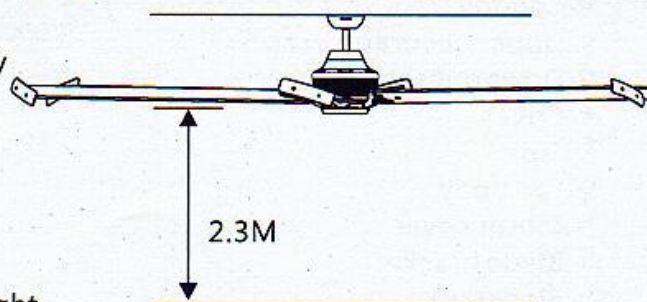
Index

Important safety instructions	01
Accessory	02
Installation guide	03~07
Wiring for ceiling fan installation	08
Remote control operation instruction	09
Code switch setting 、 Fuse replacement	10
Trouble shooting	11

Attention

Please read all the manual and warranty card thoroughly before installation.
(according to the voltage specification on each product)

1. Installation must be carried out by a qualified electrician.
2. Turn off the electrical mains at the circuit breaker/fuse box.
3. Do not use power supply other than 220V-240V/50Hz.
4. This appliance must be earthed.
5. When mounting the fan, ensure that the safety wire is looped across the mounting bracket.
6. The mounting bracket must be able to withstand a min. weight of 35 pounds and fixed on the ceiling and pull it right after installation.
7. The ceiling fan must be mounted at a min. height of 7.5 feet / 2.3m of clearance from the floor.
8. Do not place any objects in the path of the blades. While the fan is running, there should not be anything crashing fan blades to prevent any dangerous situation.
9. When all electrical connections are done, store all wires neatly.
10. Make sure that all screws and connections are tightly screwed and secured.
11. Please replace a complete set instead of part of it while the product lifespan is due.
12. Please prevent too much moisture on the position where you would like to install ceiling fan.
13. Don't mix the blades together when you purchase more than one set.
14. Fan must be turned off and stopped before reversing fan direction.
15. Please install the cords following the order of ground cord, fire cord and neutral cord.
16. There must be at least 60cm distance between fan blade and wall.
17. There must be at least 300 cm gap between two ceiling fans.
18. Do not place ceiling fan underneath the lighting, that will cause shaking shade.



Warning

This product is designed to use only those parts supplied with this product and/or accessories designated specifically for using with this product. Using parts and/or accessories not designated for using with this product could result in personal injury or property damage. If the supply cord is damaged, it must be replaced by the manufacturer, its service agent or similarly qualified persons in order to avoid a hazard.

The appliance must be fitted with means for disconnection from the supply mains having a contact separation in all poles that provide full disconnection under overvoltage category III conditions, and these means must be incorporated in the fixed wiring in accordance with the wiring rules.

Note

This illustrations in this manual are for explanation purposes only and may differ from the actual unit. It is subjected to change without prior notice for further improvements.

Tools:

- A. Philips screwdriver
- B. Slotted screwdriver
- C. Adjustable wrench
- D. Cutter
- E. Ladder
- F. Install the power cord in accordance with the cord

Check if all parts and accessories are present:

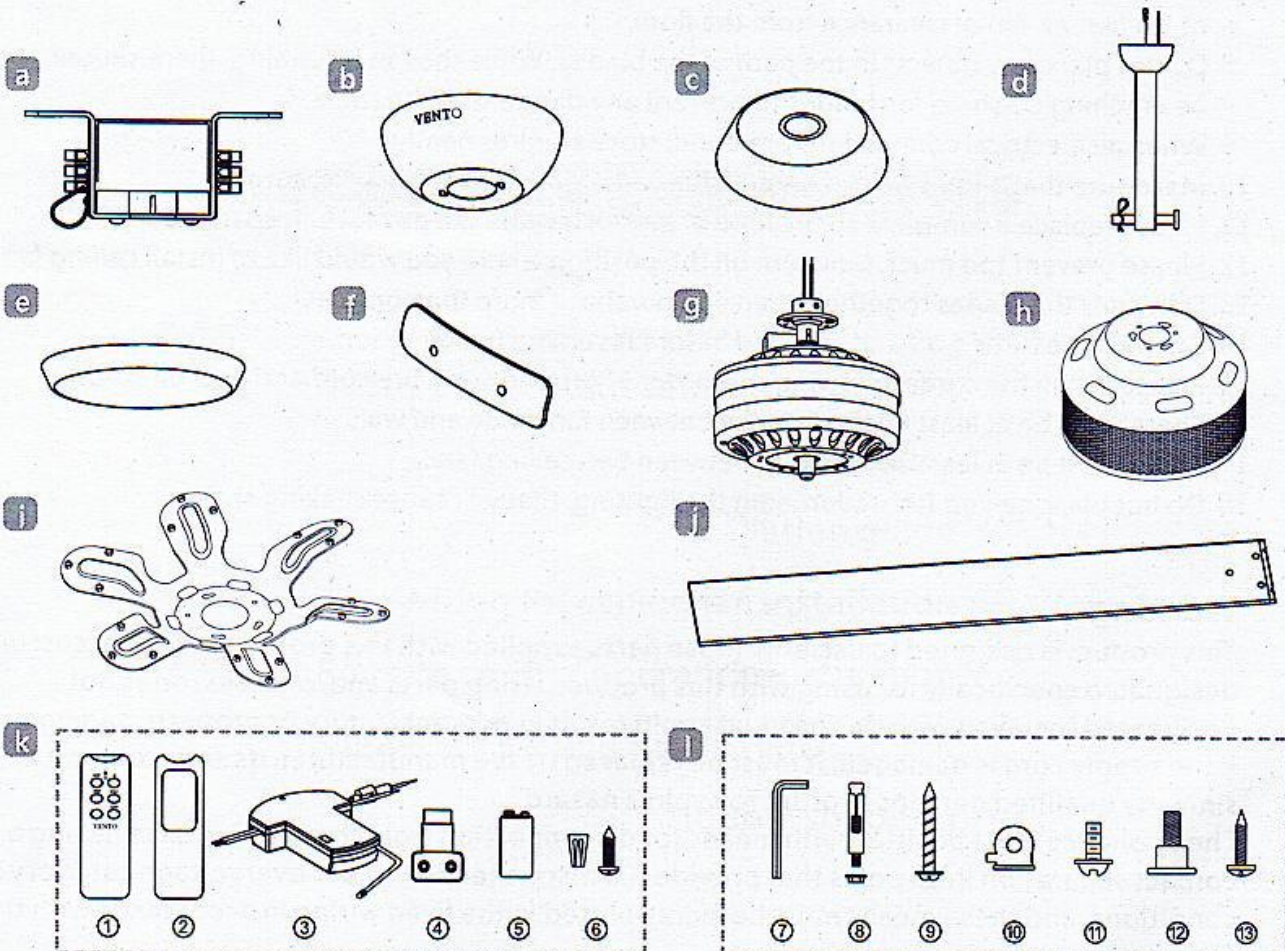
- a. Mounting bracket
- b. Canopy
- c. Upper decoration cap
- d. Downrod set
- e. Cover
- f. Tips
- g. Fan body
- h. Motor cover
- i. Blade bracket
- j. Blades x 6

k. Remote control

- ① Transmitter
- ② Transmitter cover
- ③ Receiver
- ④ Wall bracket for transmitter
- ⑤ Battery
- ⑥ Accessories packet

l. Screw pack

- ⑦ Hex wrench x 1
- ⑧ Expansion screws for mounting bracket x 4 (optional)
- ⑨ Screws for mounting bracket x 6
- ⑩ Clasp x 1 (optional)
- ⑪ Blade bracket screws x 6
- ⑫ Blade screws x 19
- ⑬ Screws x 13



Note: The transmitter is designed for use with either wall bracket for transmitter (④) or the transmitter cover (②).

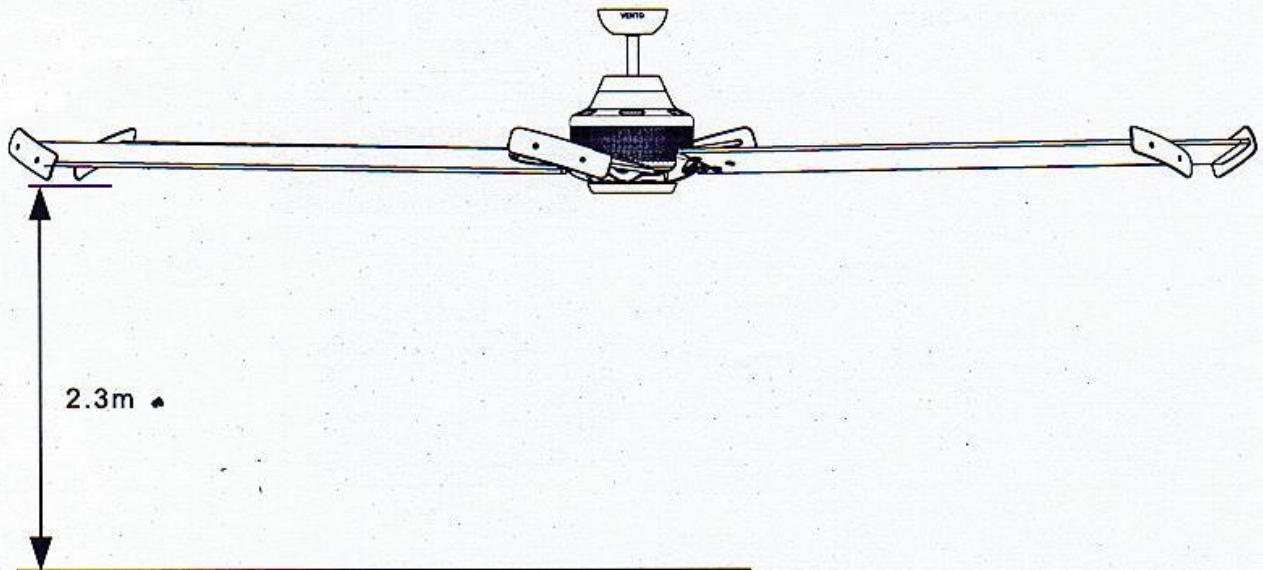
Note: Place the parts from (k.) shown above, in a small container to prevent parts from getting lost. If any parts are missing, contact your local retailer for replacement before proceeding.

Installation guide

0:

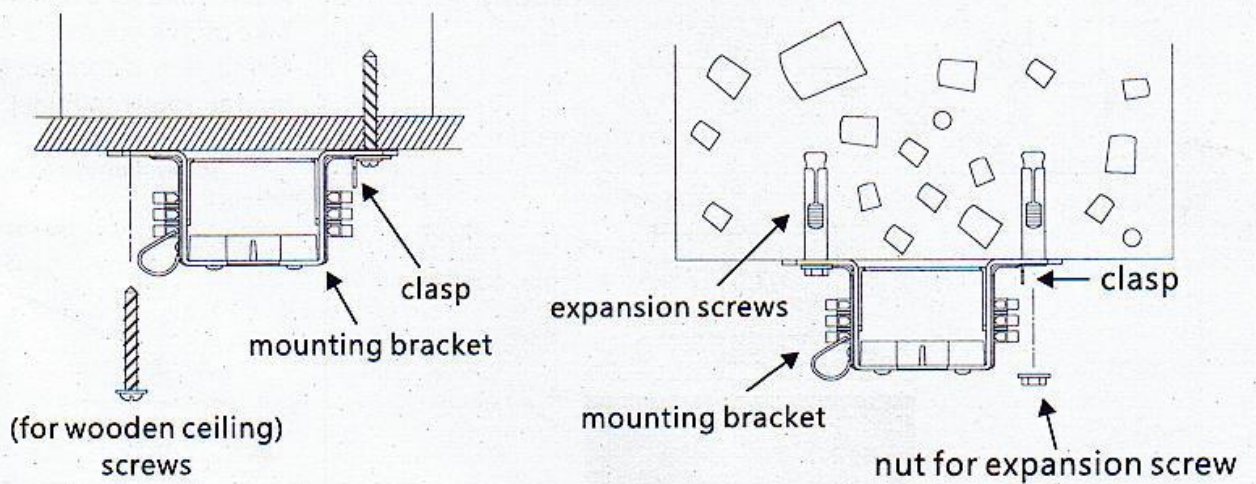
Attention: Do not install the fan onto the partition ceiling or chapped wall.

- A** The ceiling fan must be mounted at a min. height of 7.5ft/2.3m of clearance from the floor.

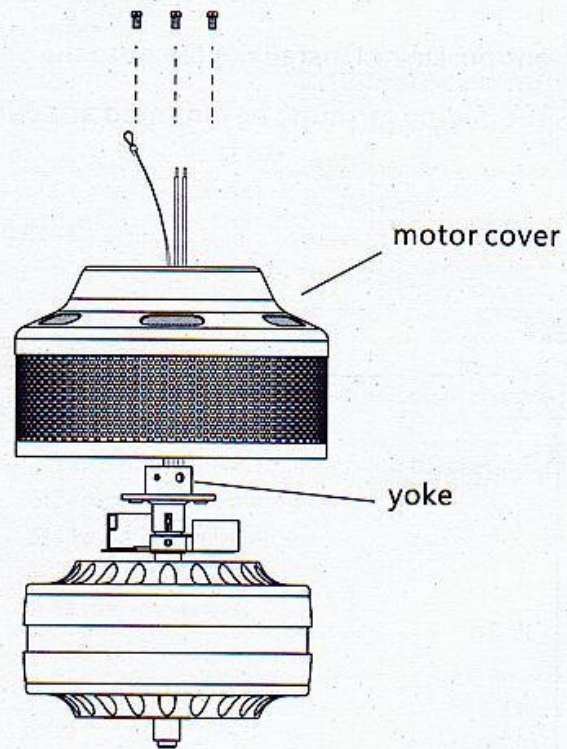


- B** The mounting bracket must be securely fastened to a structural ceiling member.

NOTE: a.) Please choose one of the following ways to install the mounting bracket.
b.) Make sure all screws are tightened.

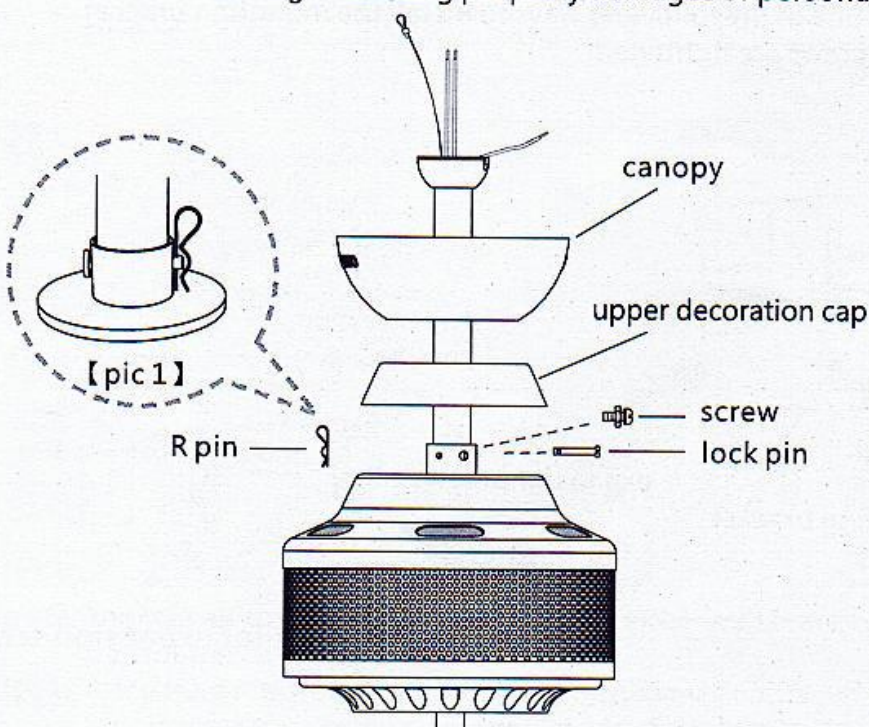


- C** Release the three big screw from yoke, place the motor cover aim to the screw hole, then tighten the six screws.

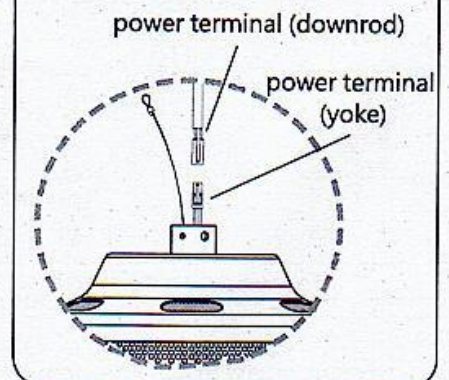


- D** Loosen 2 screws at the yoke of the motor assembly. Slide the canopy into the downrod. Thread the power leads from the fan through the canopy, decorative cover and downrod (take extra care not to pull power wires damage). Set downrod into yoke and rotate until the holes match. Then, insert lock pin through the holes and firm it with R pin. Tighten 2 screws and nuts at the top yoke of the motor assembly.

Attention: Make sure the R pin and lock pin is proper and secure to prevent the fan from falling or causing property damages or personal injury.



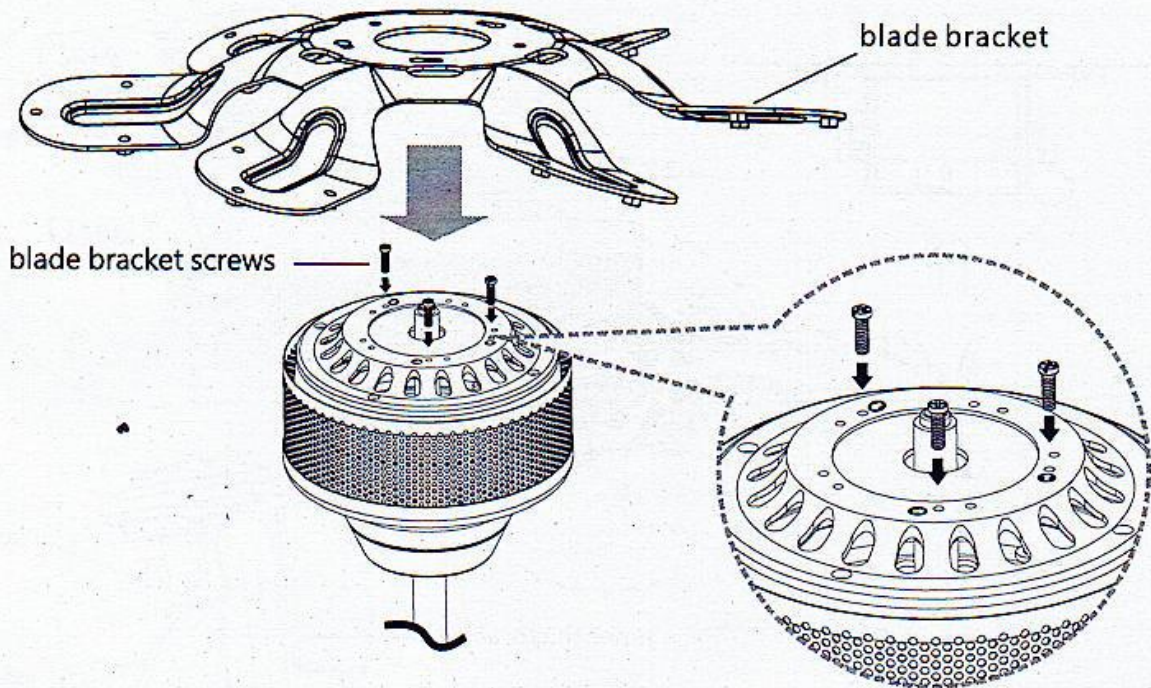
※ If require longer downrod, take off the yoke side power terminal, and connect to the longer power terminal wire.



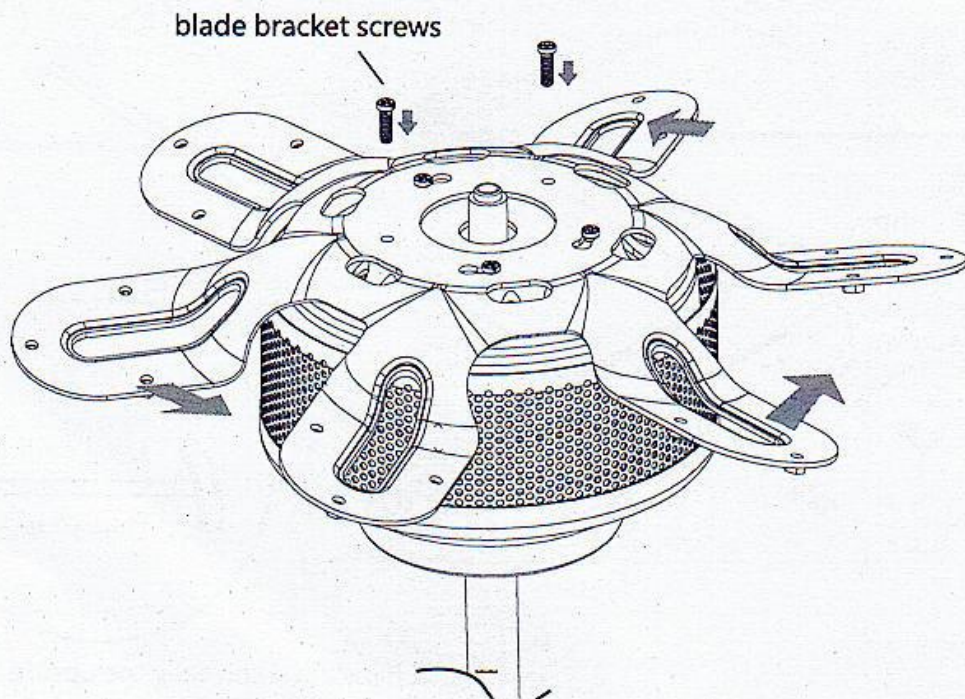
Installation guide

05

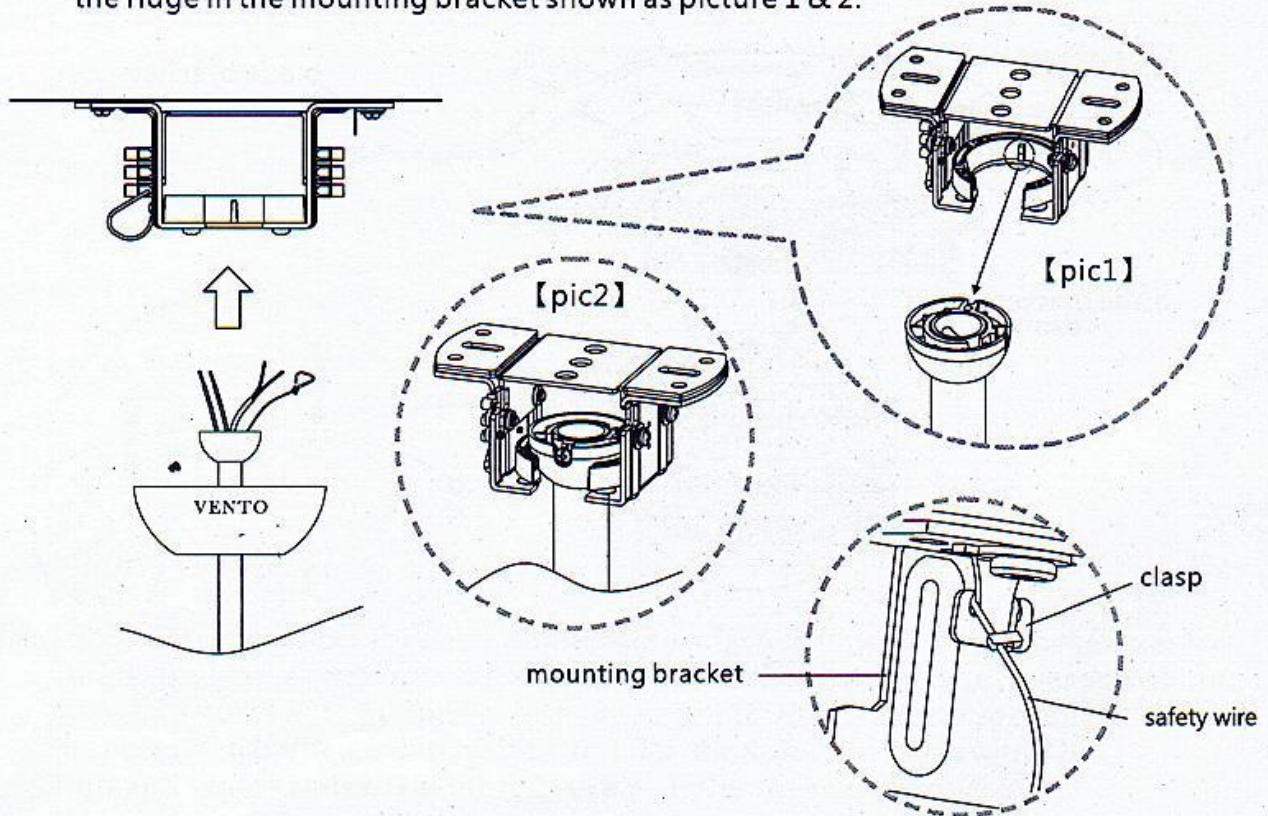
- F** Follow the three arrow sticker to fix the three screws (no need to tighten), then take blade bracket aim to the three screws, and put down the blade bracket.



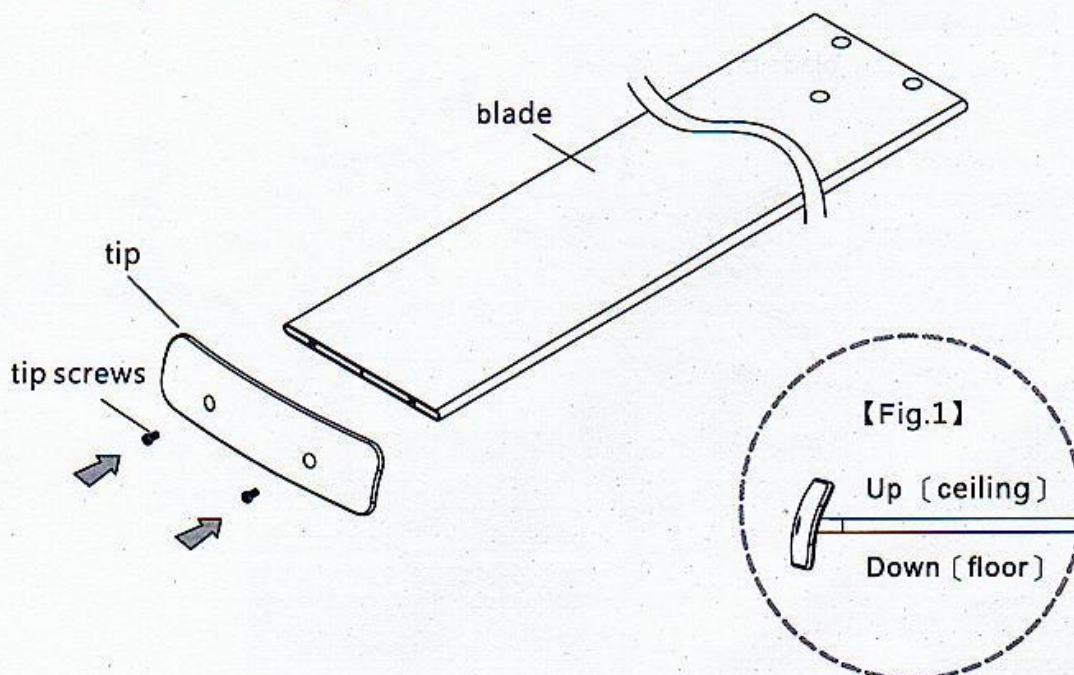
- F** After put down the blade bracket, anticlockwise the blade bracket located at the small key hole, tighten the two blade bracket screws, then fix the three screws.



- G** a.) When mounting the fan, ensure that the safety wire is looped across the mounting bracket.
 b.) Confirm all the parts are tightened. Rotate fan so that the notch on the ball engages the ridge in the mounting bracket shown as picture 1 & 2.

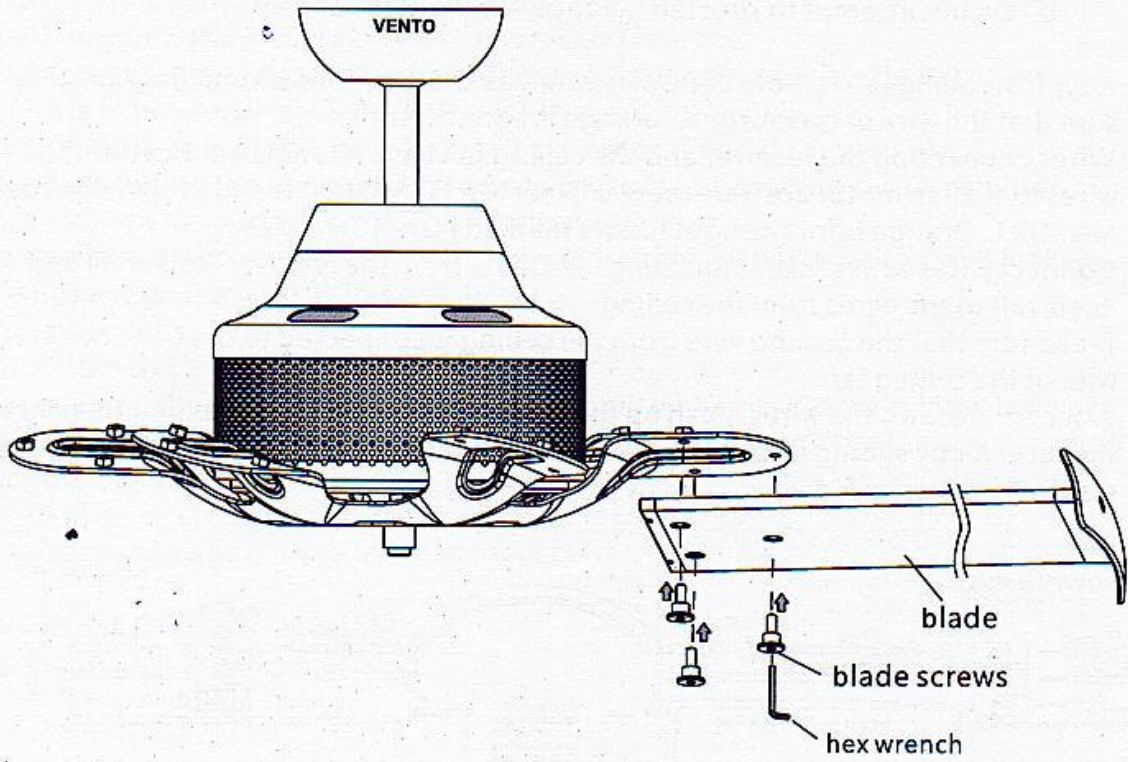


- H** Fix the tips at the end of blades and tighten by two screws, please be careful the direction of the tips, shown in Fig.1.

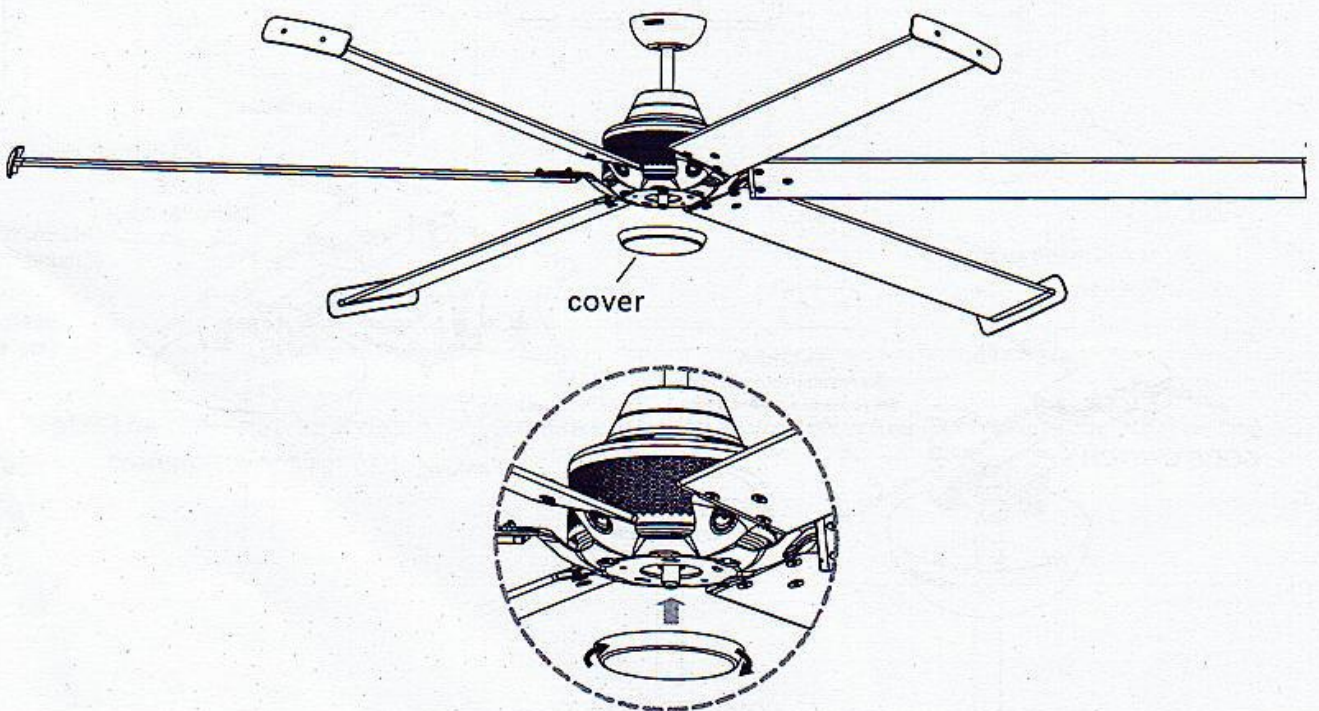


※ If installed correctly the upside tip lean to the motor.

- I Put blade below the blade bracket, fix three blade screws by hex wrench, rest blades are same



- J Rotate the cover at the bottom of the fan.



Wiring for ceiling fan installation

NOTE: a.) Incorrect wire connection may damage this fan and receiver.
 b.) Do not attempt to shorten the receiver's antenna wire.

1. A typical ceiling fan remote control is wired as shown in this wiring diagram. (Fig. 1) Make sure that the wire of brown/blue/orange is connected.
2. Wires connecting the receiver and the ceiling fan have its sticker indication. The receiver wires to the fan motor are Blue (neutral) marked TO MOTOR N and Brown (live) marked TO MOTOR L. Orange is for the light fixture marked FOR LIGHT.
3. Connect wires with sticker indicating "ACIN" from the receiver-Red (live) and White (neutral) to the wires from the ceiling.
4. Make sure that the ground wire from the ceiling is connected to the GREEN/YELLOW wire of the ceiling fan.
5. After connecting the wires, push up the canopy till it reaches the ceiling then install the receiver by sliding into opening in the mounting bracket. Tighten the canopy screw. As shown in Fig.2

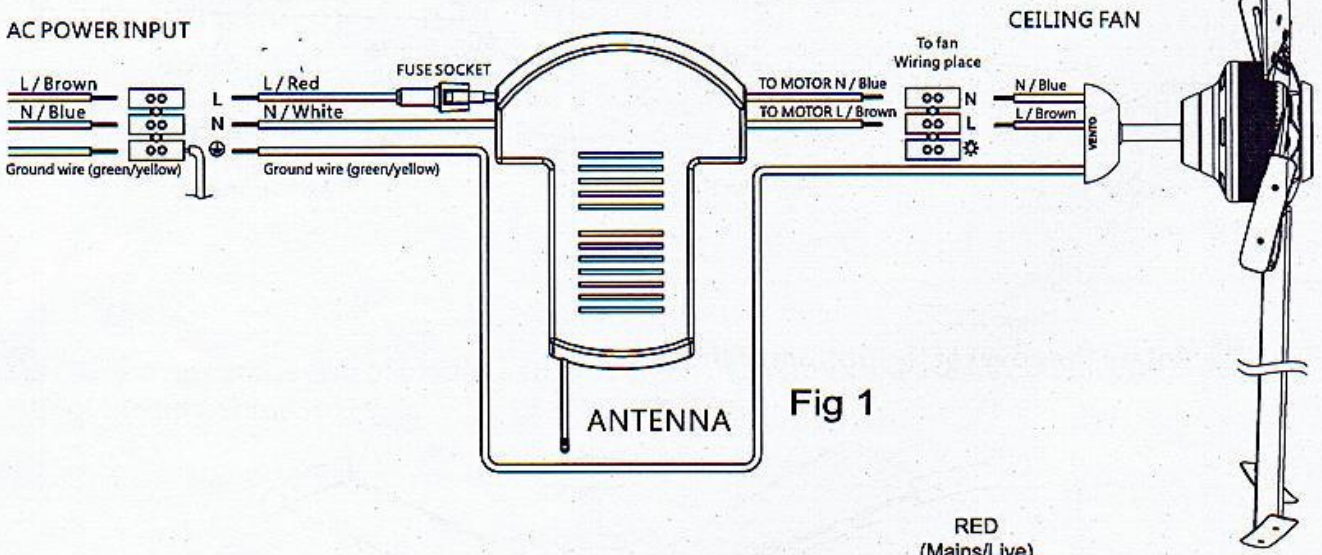


Fig 1

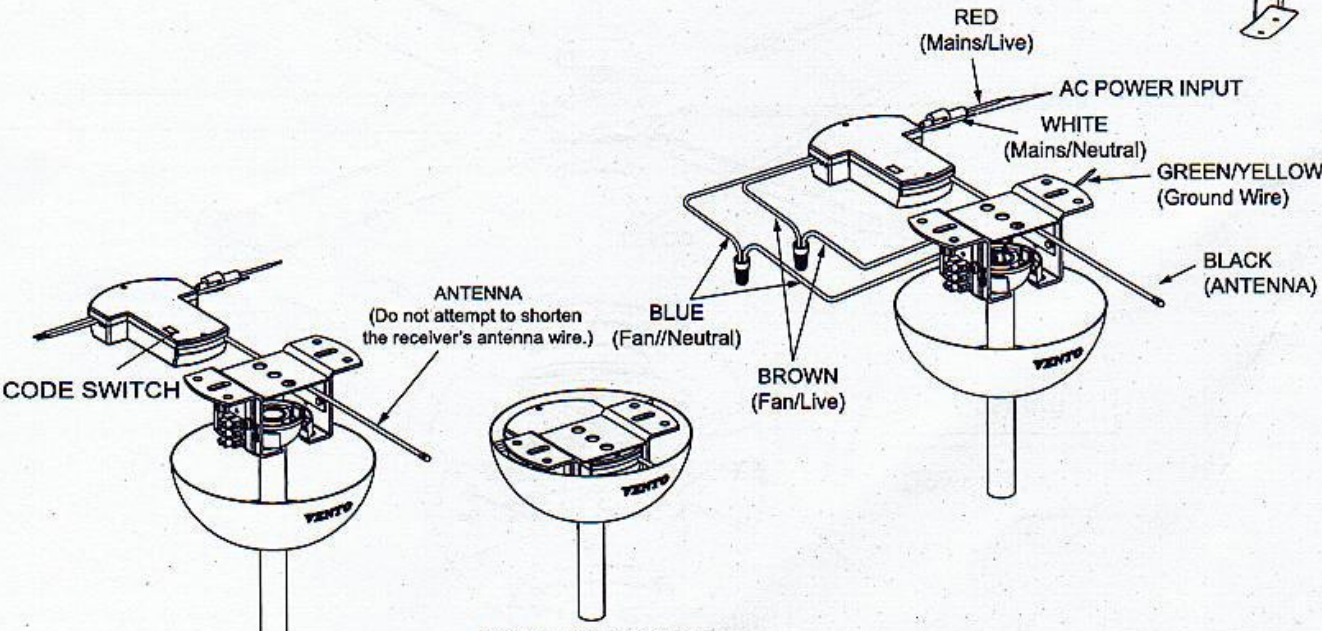


Fig 2 COMPLETE DIAGRAM

A. IMPORTANT POINTS:

1. Please read this manual and keep it for future use.
2. Turn off the electrical mains at the circuit breaker/fuse box.
3. Please note that all wiring connections should be done by a qualified electrician.
4. This unit is to be used in an 220V-240V/ 50Hz supply zone only.
5. Do not install in damp locations or immerse in water. (For indoor use only.)
6. To avoid damaging the transmitter prevents dropping or banging the transmitter.
7. Do not attempt to shorten the receiver's antenna wire.
8. If the transmitter is not used for some time, please remove batteries to avoid leakage that will damage the transmitter.

B. OPERATION INSTRUCTIONS:

1. After installing the receiver, make sure the transmitter has its batteries installed.
2. If the transmitter is not functioning properly or not function or if the fan is not moving please do the followings:
3. Turn off the electrical mains at the circuit breaker/fuse box.
4. Follow steps on page 8-10 to reinstall the receiver.

C. FUNCTIONS OF TRANSMITTER:

HI : Set fan to high speed.

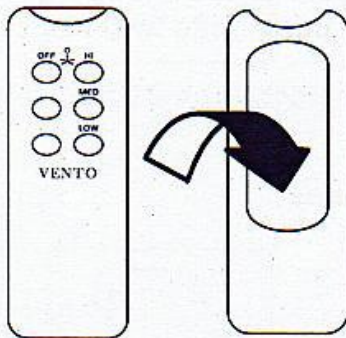
MED : Set fan to medium speed.

LOW : Set fan to low speed.

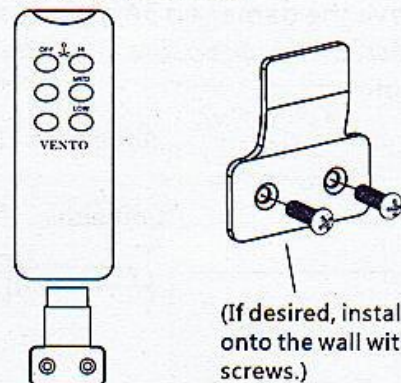
OFF : Turn off the ceiling fan.

NOTE: The transmitter can be use with either wall bracket or the transmitter cover.

- Insert transmitter to the cover from this hole.



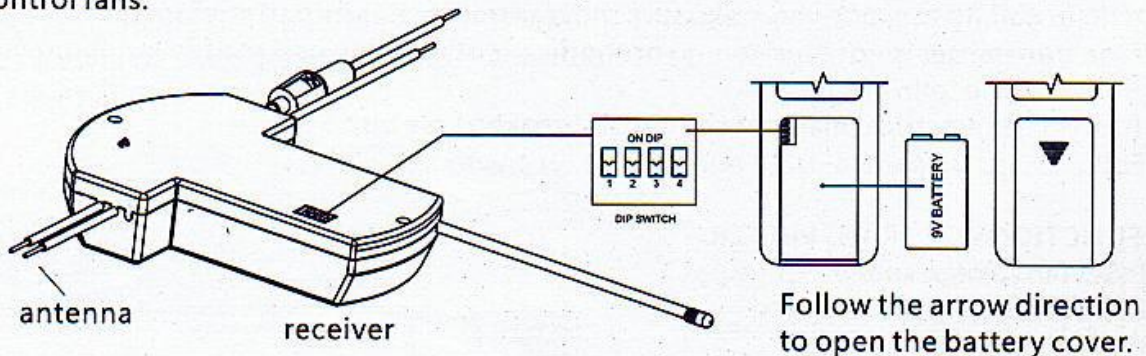
- Transmitter holder.



Note: The transmitter is designed for use with either wall bracket for transmitter (Ⓜ) or the transmitter cover (Ⓢ).

Code switch setting

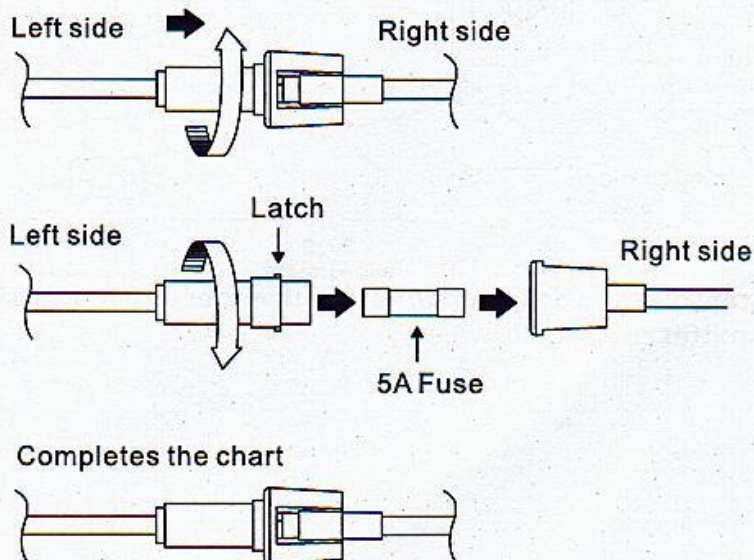
1. These DIP code can be pushed upward and downward to change the setting.
2. Both of these remote control components (receiver and transmitter) have a set of four switches that need to have the same settings. (The total combination becomes 16 frequency codes).
3. The setting determines the frequency that will be used to control the ceiling fan. Otherwise, the ceiling fan will not operate.
4. Once the setting has been made, slide down the back cover of transmitter to the arrow direction. Install a 9 Volt battery.
5. Now the remote control receiver module is ready for installation up at the ceiling fan of mounting bracket.
6. Select different combinations of dip switches to prevent mis-operation due to other remote control fans.



Fuse replacement

1. Push both side of the fuse capsule towards each other and twist it to open the fuse capsule.
2. Remove the damaged 5A glass fuse from the capsule then replace a new 5A glass fuse.
3. To close the fuse capsule align the latch and groove the push in and twist to lock the fuse capsule.

Assemble chart



Problem A: Fan will not start

Remedies:

1. Check fuse or circuit breaker and replace if necessary.
2. Check that reversible switch is at exact position.
3. Turn off electrical power, check all wire connections.
4. Check to make sure the dip switches from the transmitter and receiver are set on the same frequency.

Problem B: Fan excessively noisy

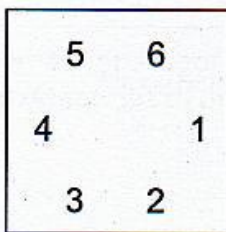
Remedies:

1. Check that all screws in fan assembly are tight and properly seated.
2. Check to make sure mounting bracket is installed properly.

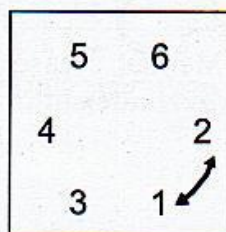
Problem C: Fan wobbles

Remedies:

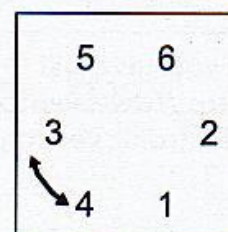
1. Check that all blades are screwed firmly into the fan body.
2. If the above mentioned remedies can't eliminate the wobble, use the clip from balance pack to make sure the position. Stick the balancing weight on the opposite side of the mark place.
3. If the above mentioned remedies can't eliminate the wobble, interchange the blade pair, proceeding as following illustrations until wobble is removed.



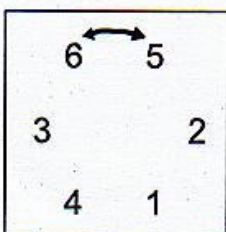
Numbered tape placement



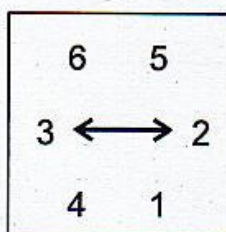
Switch 1-2



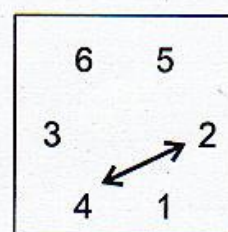
Switch 3-4



Switch 5-6



Switch 3-2




Switch 4-2

Warning

This appliance is not intended for use by persons (including children) with reduced physical, sensory or mental capabilities, or lack of experience and knowledge, unless they have been given supervision or instruction concerning use of the appliance by a person responsible for their safety. Children should be supervised to ensure that they do not play with the appliance.

This appliance can be used by children aged from 8 years and above and persons with reduced physical, sensory or mental capabilities or lack of experience and knowledge if they have been given supervision or instruction concerning use of the appliance in a safe way and understand the hazards involved. Children shall not play with the appliance. Cleaning and user maintenance shall not be made by children without supervision.

	Correct Disposal of this product
	<p>This marking indicates that this product should not be disposed with other household wastes throughout the EU. To prevent possible harm to the environment or human health from uncontrolled waste disposal, recycle it responsibly to promote the sustainable reuse of material resources. To return your used device, please use the return and collection systems or contact the retailer where the product was purchased. They can take this product for environmental safe recycling.</p>

NOTE: If you have lost the Owner's Manual, please contact the local agent or visit <http://www.ventotw.com/EN/ENindex.html> or sent email to service@ventotw.com for electronic version.