

Owner's Manual



Model: **PILOT**
(Solid Wood Blade)
SLICE
(ABS Blade)

WARNING: Read and follow these instructions carefully and be mindful of all warnings shown throughout.

READ AND SAVE THESE INSTRUCTIONS

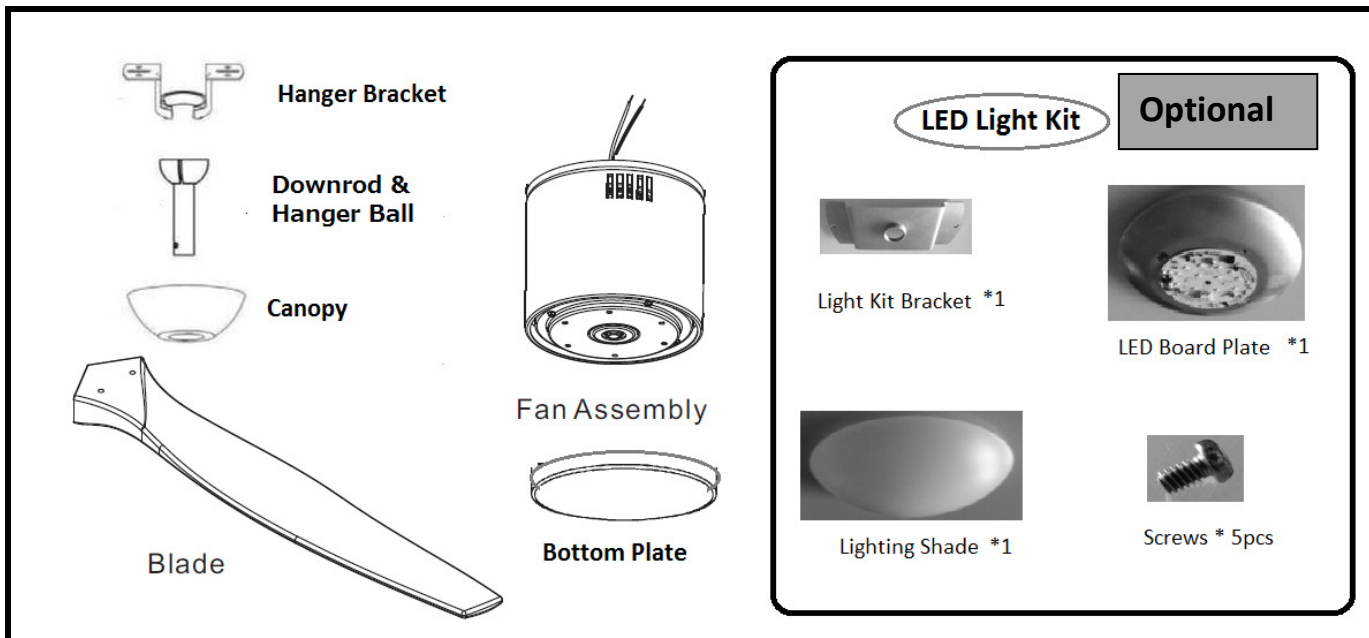
WARNING: TO REDUCE THE RISK OF FIRE, ELECTRICAL SHOCK, OR INJURY TO PERSONS, PLEASE OBSERVE THE FOLLOWING:

- 1]. To ensure the success of the installation, be sure to read the instructions and review the diagrams thoroughly before beginning.
- 2]. To avoid possible electric shock, be sure electricity is turned off at the main power box before wiring.
All electrical connections must be made in accordance with local codes, ordinances and/or the national electric code.
If you are unfamiliar with the methods of installing electrical wiring and products, secure the services of a qualified and licensed electrician as well as someone who can check the strength of the supportive ceiling members and make the proper installations and connections.
- 3]. Make sure that your installation site will not allow rotating fan blades to come in contact with any object.
Blades should be at least 2.3m from floor when fan is in operation.
- 4]. If possible, mount ceiling fan on a ceiling joist - the joist must be able to support the motion and weight of the moving fan.
If the fan will be mounted on a ceiling outlet box, a 4" x 2-1/8" deep METAL octagon box is required; one UL listed as "suitable for fan support".
The box and its supporting members must not be able to twist or work loose.
DO NOT USE PLASTIC BOXES.
Installation on a concrete ceiling should be performed by qualified personnel.
- 5]. Blades should be attached after motor housing is hung and in place.
Fan motor housing should be kept in carton until ready to be installed to protect its finish.
If you are installing more than one ceiling fan, make sure that you do not mix fan blade sets.
- 6]. After making electrical connections, spliced conductors should be turned upward and pushed carefully up into outlet box.
The wires should be spread apart with the grounded conductor and the equipment - grounding conductor on one side of the outlet box and the "HOT" wires on the other side.
- 7]. Electrical diagrams are for reference only.
Light kits that are not packed with the fan must be UL listed and should be installed per the light kit's installation instructions.
- 8]. After fan is completely installed, check to make sure that all connections are secure to prevent fan from falling and/or causing damage or injury.
- 9]. The fan can be made to work immediately after installation - the bearings are adequately charged with grease.
So that, under normal conditions, further lubrication should not be necessary.
- 10]. The fan must be turned off and stopped before reversing fan direction.
- 11]. This fan is suitable for indoor location use.

.Unpack and inspect fan carefully to be certain all contents are included.

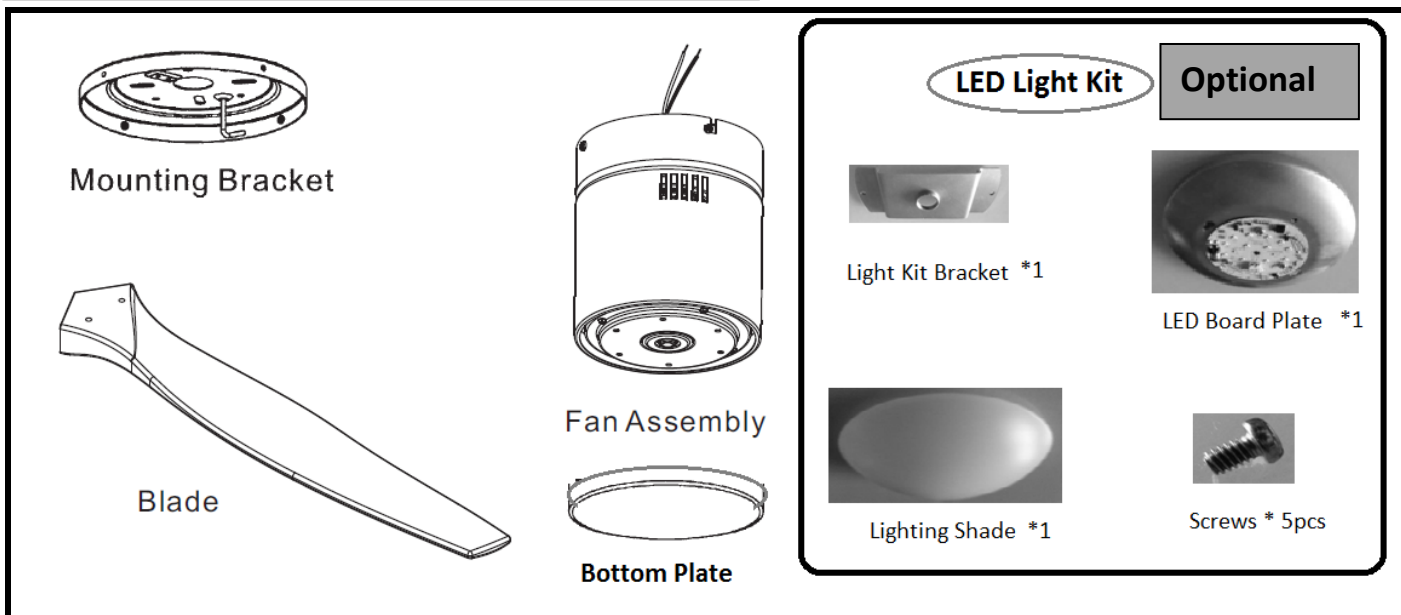
Fan Hanger System with Downrod

(DR Hanger System Kit)











Fan Hanger System with Mounting Bracket








(HR Hanger System Kit)



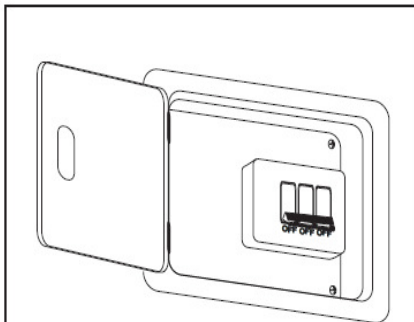
Hardware bag for SOLID WOOD Blades

Hanger	2(4) pcs	
Wood Screw		
Bracket Screw	2(4) pcs	
Spring Washer	12 pcs	
Lock Washer	6 pcs	
Blade Screw	6 pcs	
Plastic Bushing	6 pcs	
Wire nut	3 pcs	
Blade Balance Kit	1 pc	

Hardware bag for SLICE ABS Blades

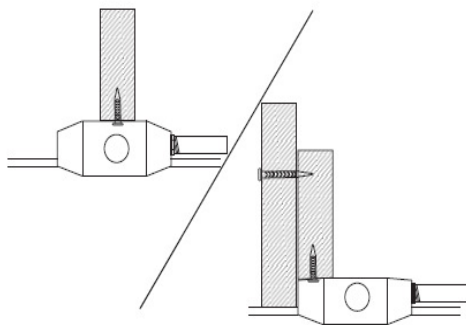
Hanger	2(4) pcs	
Wood Screw		
Bracket Screw	2(4) pcs	
Spring Washer	6 pcs	
Blade Screw	6 pcs	
Blade Balance Kit	1 pc	
Wire nut	3 pcs	
Motor Fixture Pad	3 pcs	

INSTALLATION INSTRUCTIONS



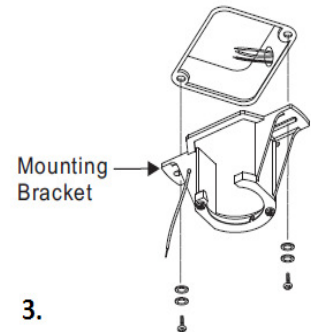
1.

Turn off power at breaker box to avoid possible electrical shock.



2.

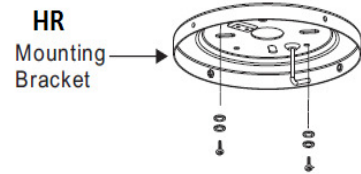
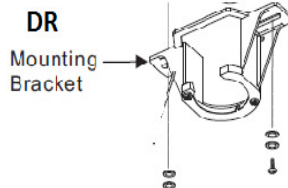
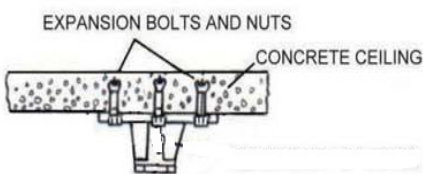
Use metal outlet box suitable for fan support. Secure outlet box directly to the building structure using wood screws (included). Outlet box must support 40 lbs min.



3.

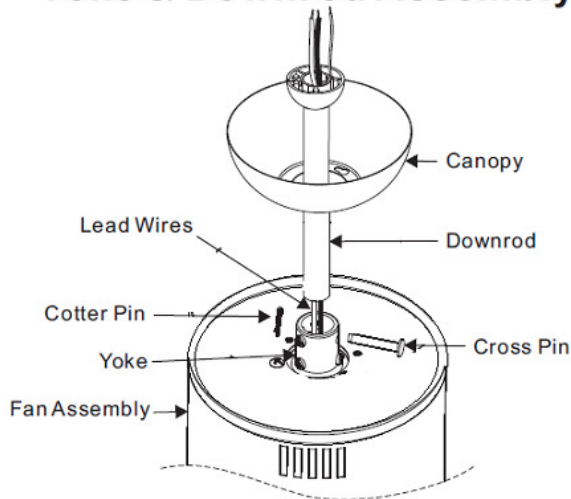
Install mounting bracket to Outlet box in ceiling using washers and the mounting screws provided with the outlet box.

Do not use existing mounting bracket, replace it with new mounting bracket from box.

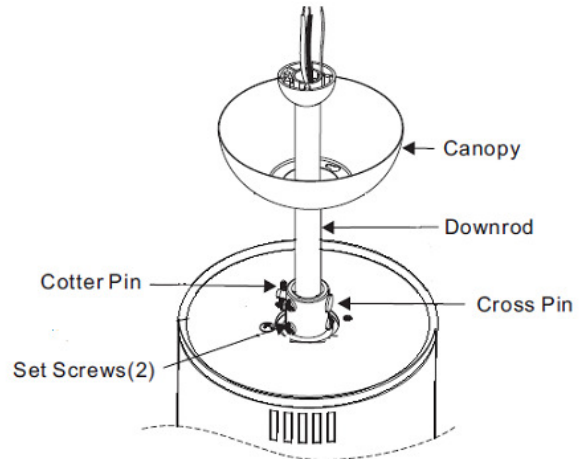


Hanger System with Downrod (DR Hanger system)

.. Yoke & Downrod Assembly

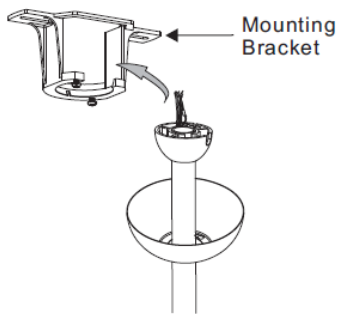


(1)
Feed motor lead wires through canopy and downrod and insert downrod into yoke.

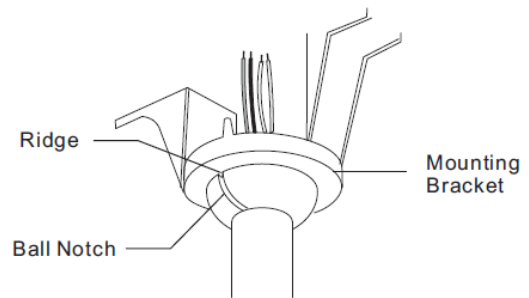


(2)
Insert the cross pin through yoke & downrod and secure with cotter pin.
(3)
Use I type small screw driver (flat) provided in hardware bag and tighten both downrod set screws to further secure downrod.

Hanging the fan



(1)
Lift fan assembly onto mounting bracket.



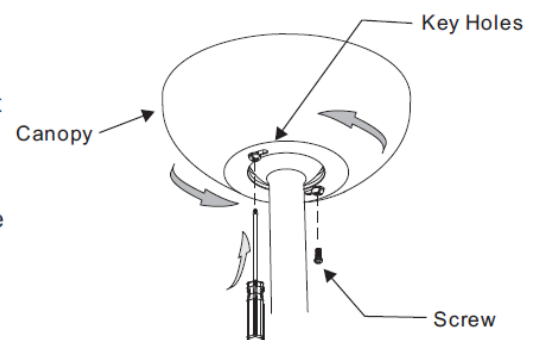
(2)
Carefully lift fan assembly onto mounting bracket. Rotate fan so that the notch on the ball engages the ridge in the mounting bracket.

Install the canopy

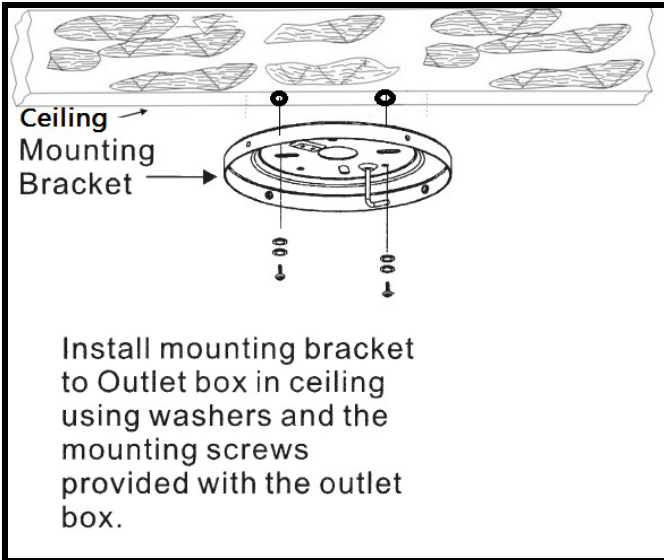
(1).
Push up the Canopy until the two screws on mounting bracket are engaged with Key Holes in canopy.

(2).
Rotate the canopy slightly until the two screw heads are in the small end of the Key Holes.

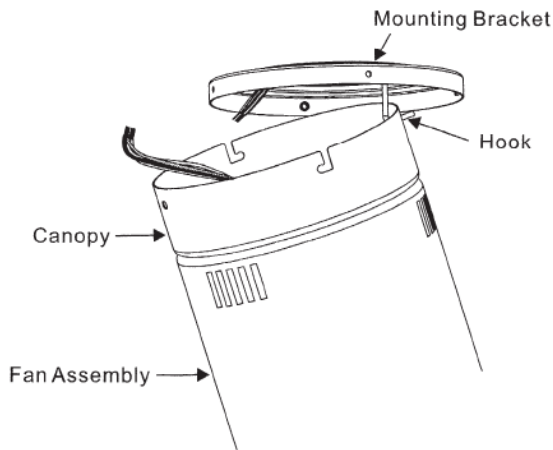
(3).
Tighten both screws.



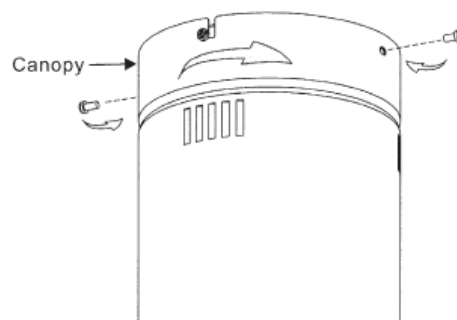
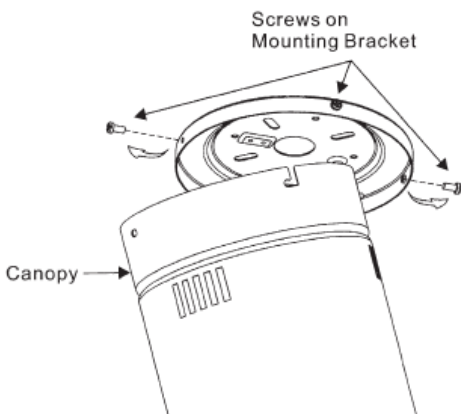
Hanger System with Mounting Bracket (HR Hanger system)



Hanging the fan



Canopy installation and attachment



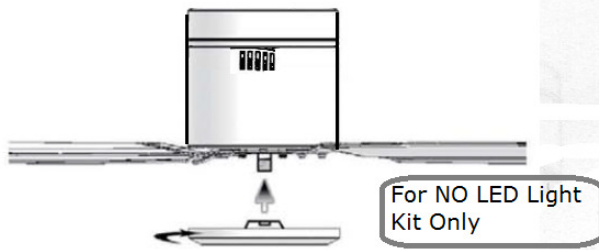


BLADE Installation

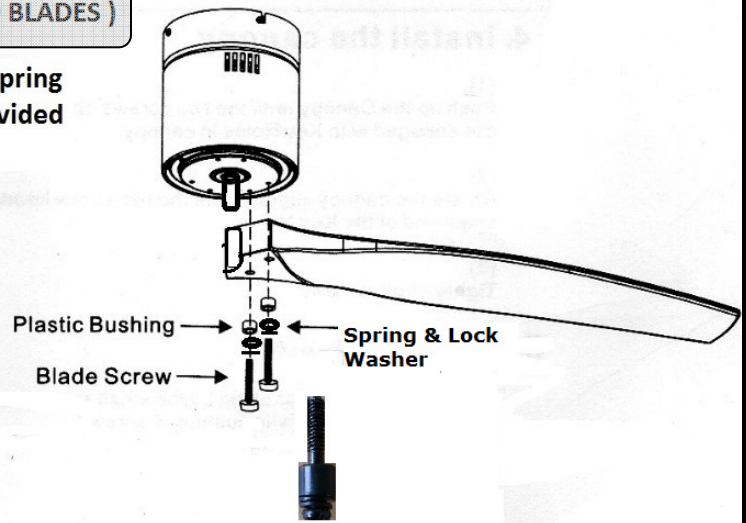
PILOT

Blades installation (SOLID WOOD BLADES)

Attach Blades to motor using screw driver with Spring ring , Lock Washer , Plastic bushing & screws provided in hardware bag.



Screw up the Bottom plate after installed Fan Blades



Warning :

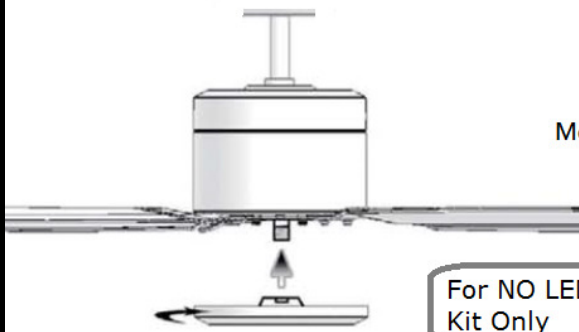
Please must be put the Plastic Bushing, Spring Washer and Lock Washer into Screw when attached the Blades.

To avoid caused the motor coil damage or we may not take the warranty by human factor.

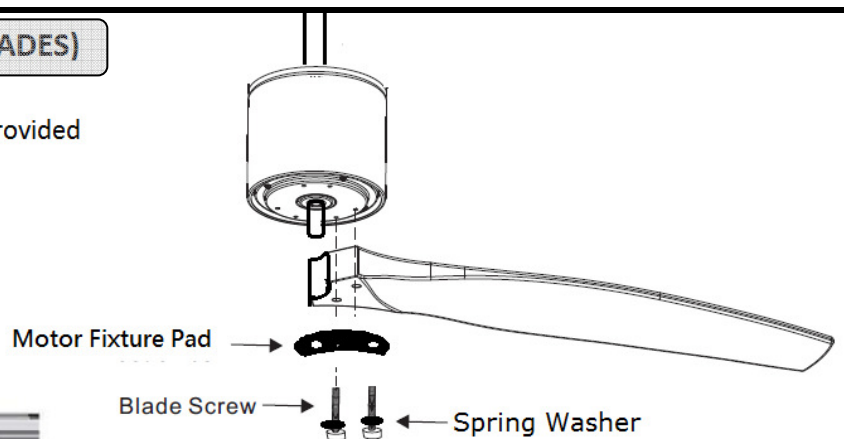
SLICE

Blades installation (ABS BLADES)

Attach blades to motor using Blade Screws provided in hardware bag



Screw up the bottom plate after installed Fan Blades



★◉Ceiling Fan LED Light Kit Installation Manual after installed Blades

Ceiling Fan LED Light Kit Installation Manual

TO PREVENT ELECTRICAL SHOCK,
POWER SHOULD BE TURNED OFF AT THE FUSE BOX BEFORE INSTALLATION.

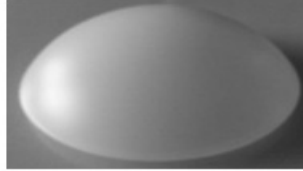
Step 1. Unpack light kit from your box.



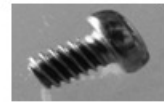
LED Kit Bracket
1 pc



LED Board Plate
1 pc

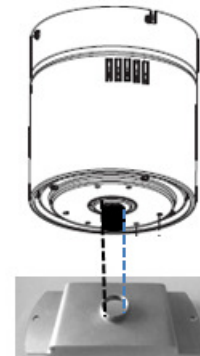
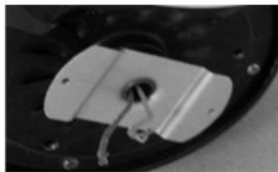


Lighting Shade
1 pc



Screws
5 pcs

Step 2. Remove the switching washer from Motor Axis after finished the ceiling fan blades installed.
Screw the bracket into the ceiling fan shaft until the bracket is tight.



Step 3. Insert two wires from ceiling fan to the power connector
in backside LED board plate. Make sure the wires are fasten and not loose.



Fan Power
For Light

Step 4. Placed the LED board plate on the bracket then tighten with two screws.



Step 5. Place the lighting shade to LED board plate.
Tighten the 3 screws and make sure lighting shade is in position tightly.

Turn on the power - your fan and light kit are ready for operation.

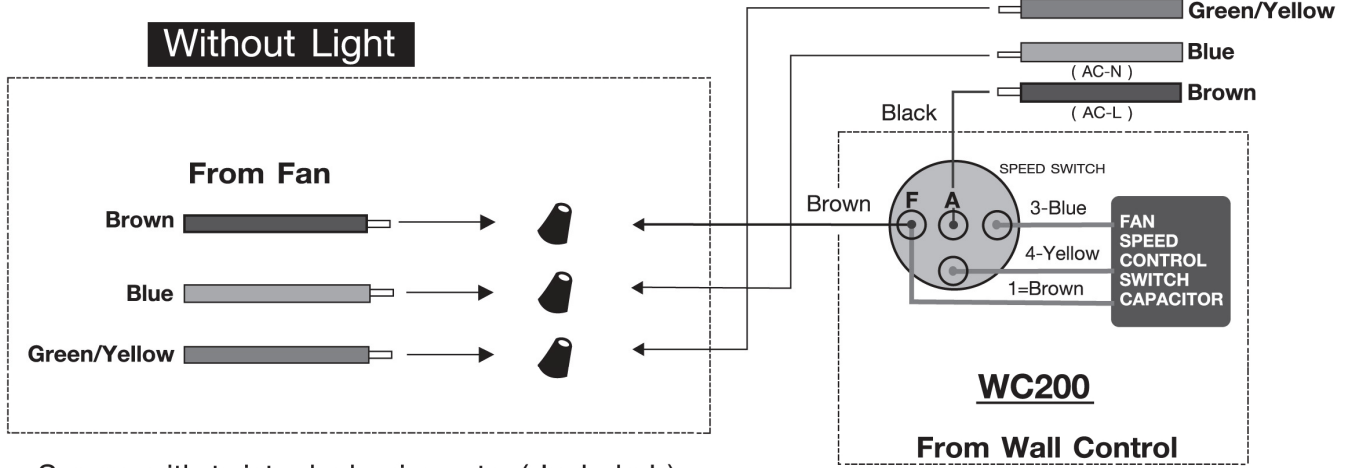


Electronic Wiring Connections

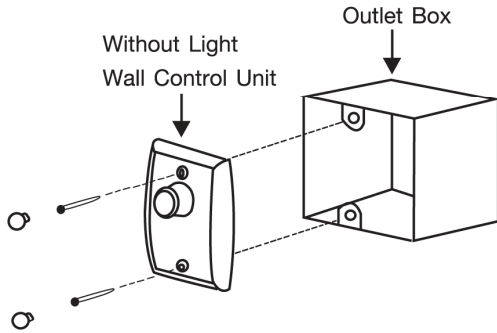
◇ For Wall Controller/Speed Regulator: (AC220~240V / 50Hz)

Make wire connection

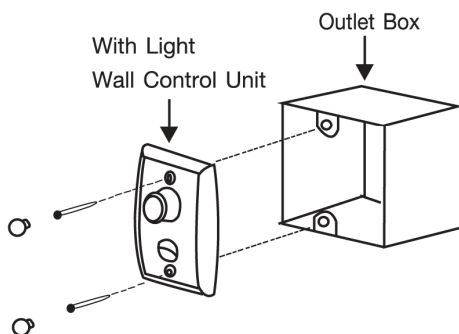
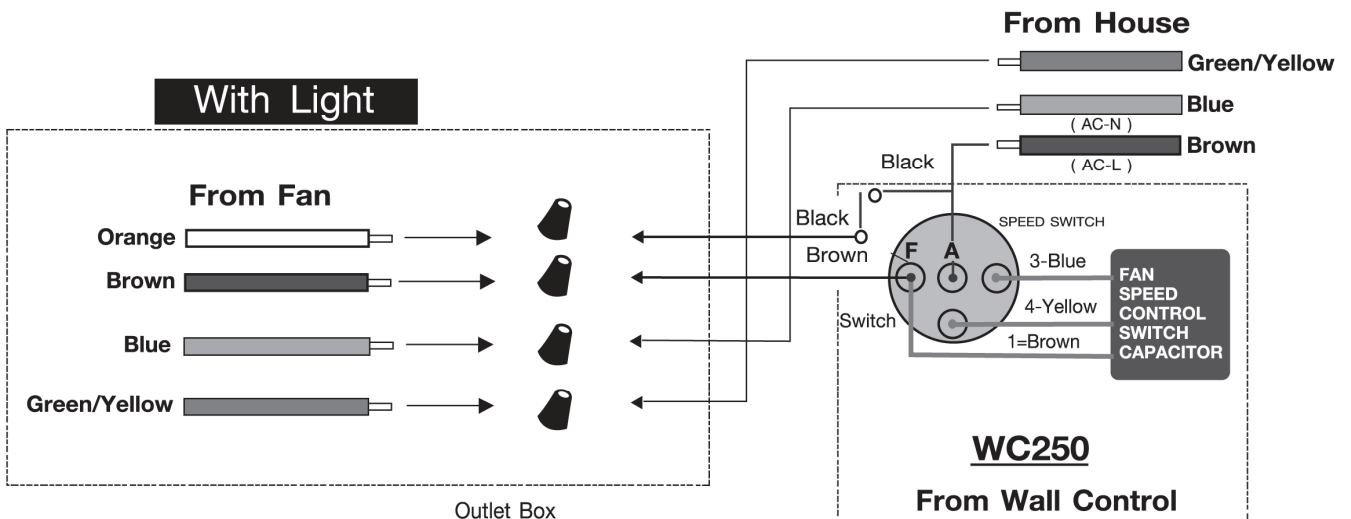
Without Light



Secure with twist - lock wire nuts. (Included)

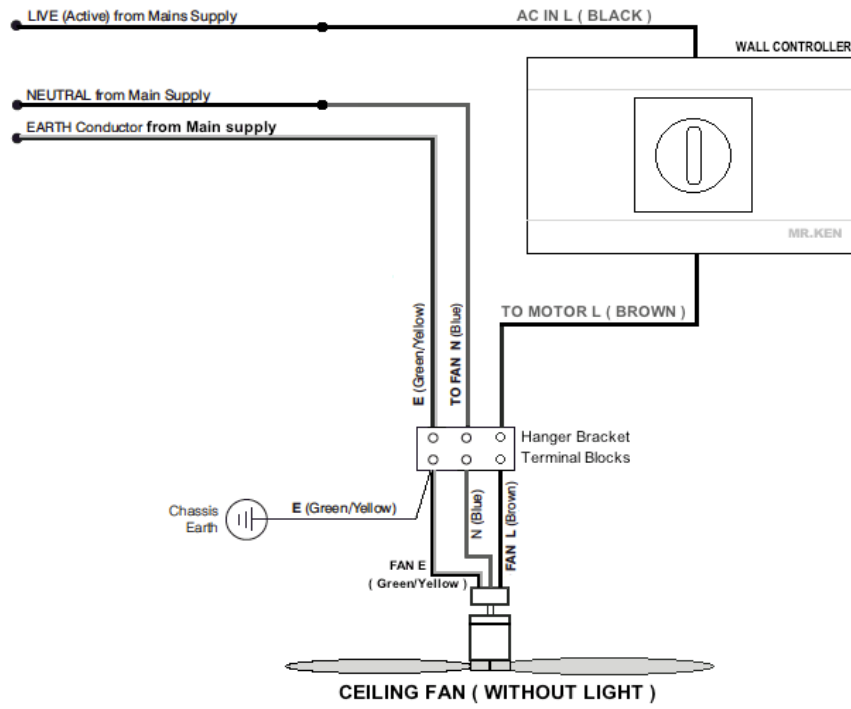


With Light



◇ For 3 Speed Wall Controller **WC350** Wire Connection (AC220~240V / 50Hz)

CEILING FAN WALL CONTROL WIRING INSTRUCTIONS

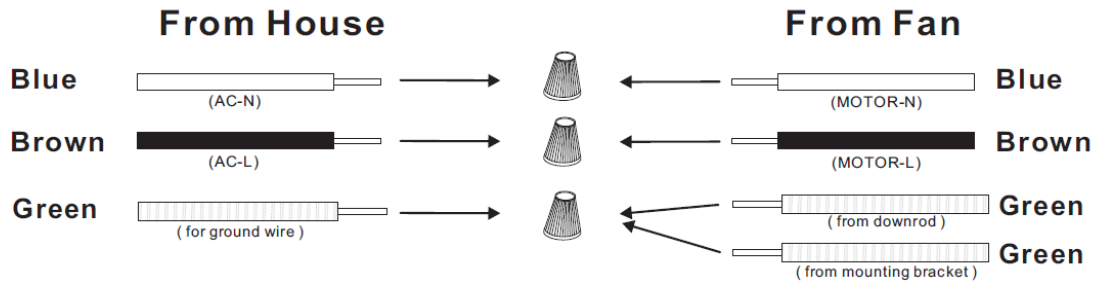


◇ For Remote Controller: (AC220~240V / 50Hz)

◎ DC Motor models included Remote Receiver inside:

Make wire connections (For DC motor with Remote Controller only)

Follow diagram below and make sure that all exposed wires are secured inside wire nuts.
 Note : Wires from house may vary in color and may not include ground wire (green).
 After wiring is completed, gently push wires into junction box with nuts pointing upward.



Secure with twist - lock wire nuts (Included).

◎ AC Motor models :

**Make wire connections
For use with remote controller**

1. Prepare Remote Control

Transmitter
Code Switches



Receiver
Code Switches



This unit has 16 different code combinations.

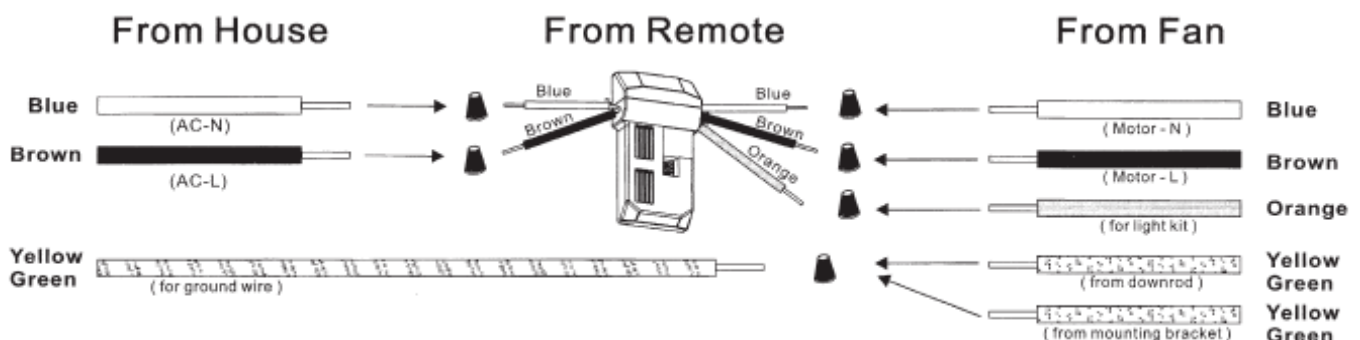
1. Setting the code on the TRANSMITTER

- A. Remove battery cover.
- B. Slide code switches to your choice of ON or OFF position. Use a small screwdriver or ball point pen to slide each switch firmly up or down.
- C. Install 9V DC battery (not included).
- D. Install battery cover on transmitter.

2. Slide code switches on the receiver to be the SAME POSITIONS as set on your transmitter.

2. Make wire connection - (for 220~240VAC/50Hz)

Follow diagram below and make sure that all exposed wires are secured inside wire nuts or terminal block.
 Note : Wires from house may vary in color and may not include ground wire (green). After wiring is completed, gently push wires into junction box with wire nuts pointing upward.



Secure with twist - lock wire nuts (Included).