



NETTO

Assembly and installation manual of ceiling fan



VENTO

The energy conservation reduces the carbon is our responsibility

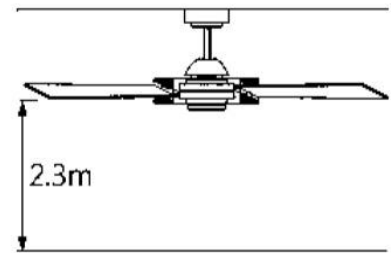
Index

Important safety instructions	01
Accessory	02
Installation guide	03~06
Trouble shooting	07

Attention

Please read all the manual and warranty card thoroughly before installation.
(according to the voltage specification on each product)

1. Installation must be carried out by a qualified electrician.
2. Turn off the electrical mains at the circuit breaker/fuse box.
3. Do not use power supply other than 220V / 50Hz .
4. This appliance must be earthed.
5. When mounting the fan, ensure that the safety wire is looped across the mounting bracket.
6. The mounting bracket must be able to withhold a min. weight of 35 pounds and fixed on the ceiling and pull it right after installation.
7. The ceiling fan must be mounted at a min. height of 7.5 feet / 2.3m of clearance from the floor.
8. Do not place any objects in the path of the blades. While the fan is running, there should not be anything crashing fan blades to prevent any dangerous situation.
9. When all electrical connections are done, store all wires neatly.
10. Make sure that all screws and connections are tightly screwed and secured.
11. Please replace a complete set instead of part of it while the product lifespan is due.
12. Please prevent too much moisture on the position where you would like to install ceiling fan.
13. Don't mix the blades together when you purchase more than one set.
14. Fan must be turned off and stopped before reversing fan direction.
15. Please install the cords following the order of ground cord, fire cord and neutral cord.
16. There must be at least 60cm distance between fan blade and wall.
17. There must be at least 150 cm gap between two ceiling fans.
18. Do not place ceiling fan underneath the lighting, that will cause shaking shade.



Warning

This product is designed to use only those parts supplied with this product and/or accessories designated specifically for using with this product. Using parts and/or accessories not designated for using with this product could result in personal injury or property damage.

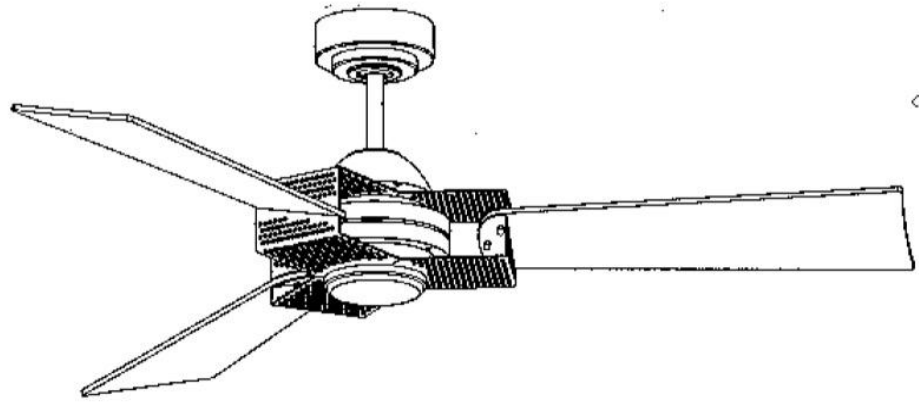
Note

This illustrations in this manual are for explanation purposes only and may differ from the actual unit. It is subjected to change without prior notice for further improvements.

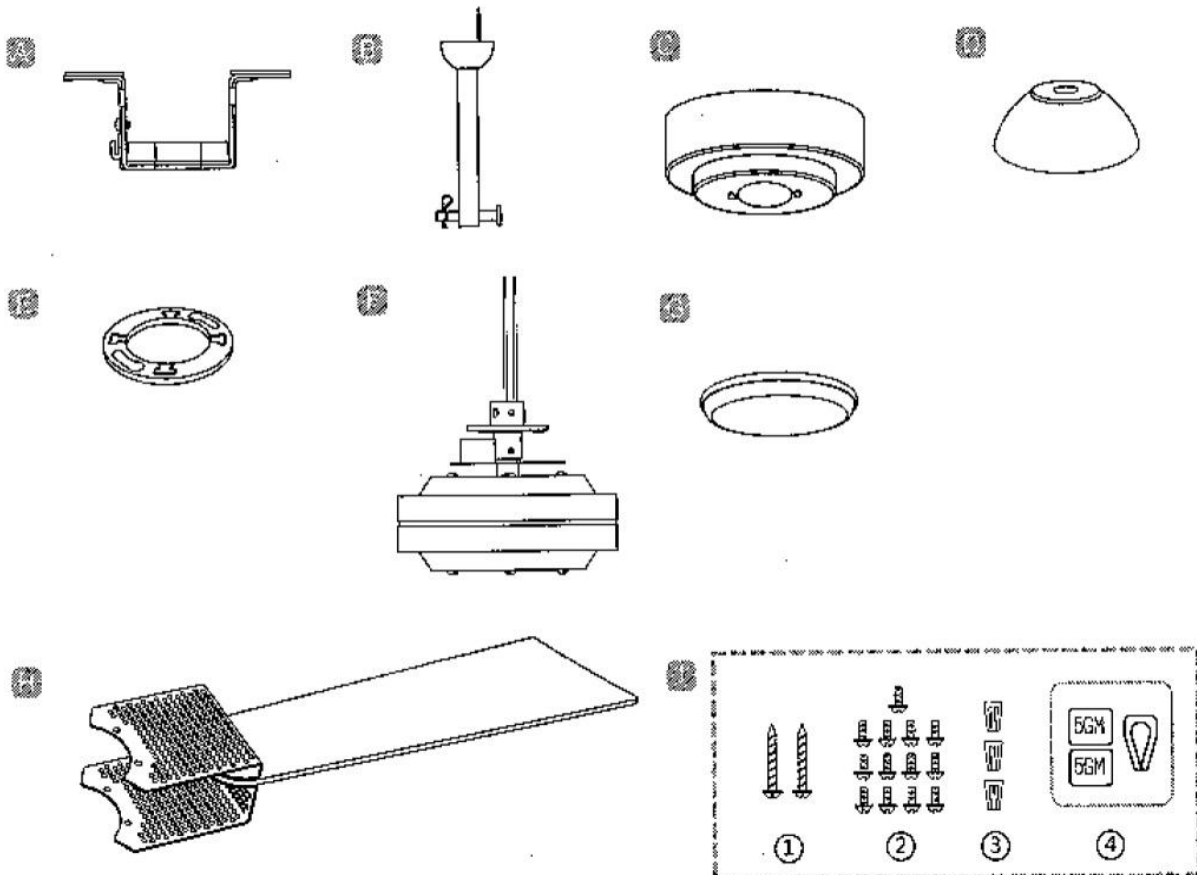
Before installation, please check out all the accessories inside the cartons if there is no shortage, you may start it.

(For convenience, some screws are already attached to the main parts)

- a . Mounting Bracket
- b . Downrod Set
- c . Canopy
- d . Decorative Cover
- e . Canopy Cover
- f . Fan Body
- g . Cover
- h . Blades x3
- i . Screw Pack

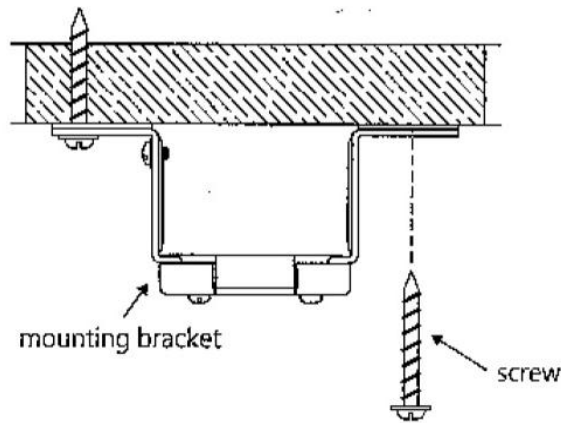


- Screw Pack**
- ① Screws for mounting bracket x2
 - ② Blade Screws x13
 - ③ Wire Connector x3
 - ④ Balance Pack x1

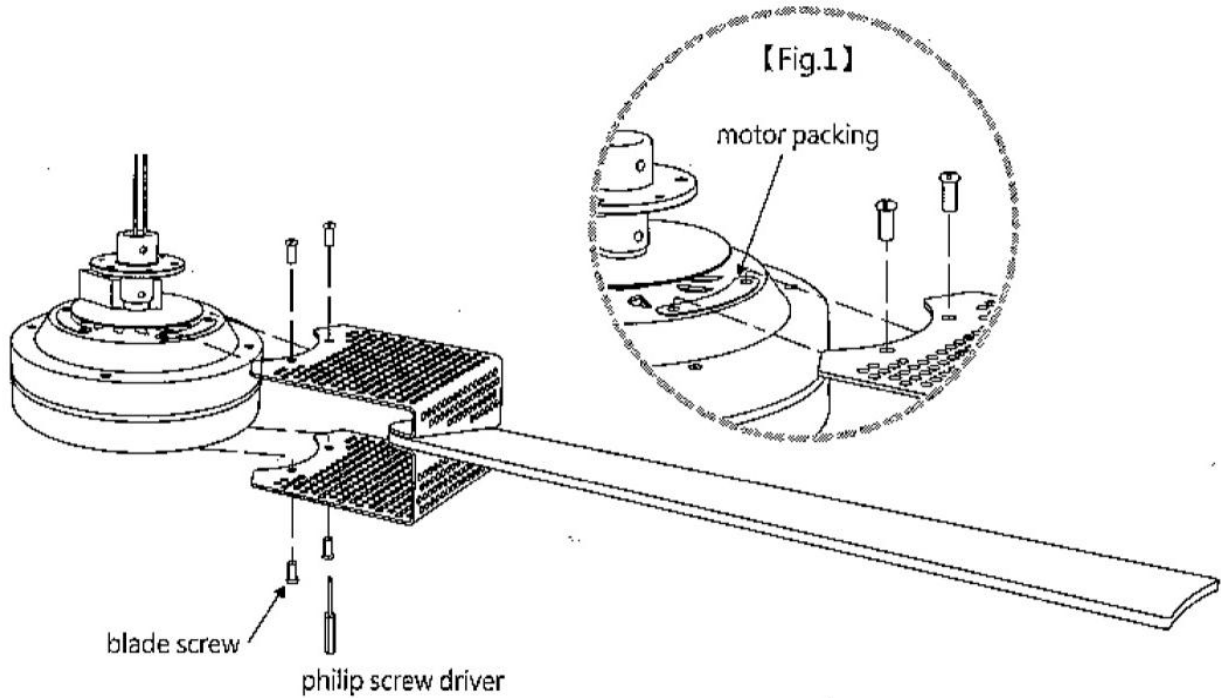


- ④ The mounting bracket must be securely fastened to a structural ceiling member.

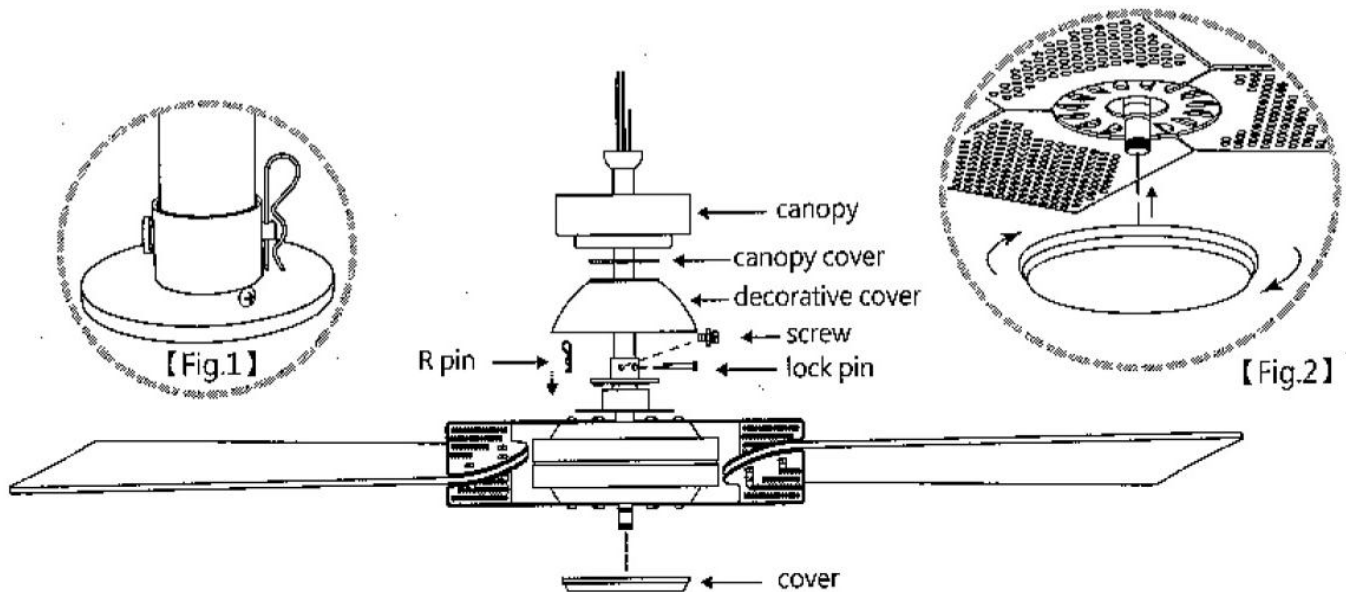
NOTE: Make sure all screws are tightened.



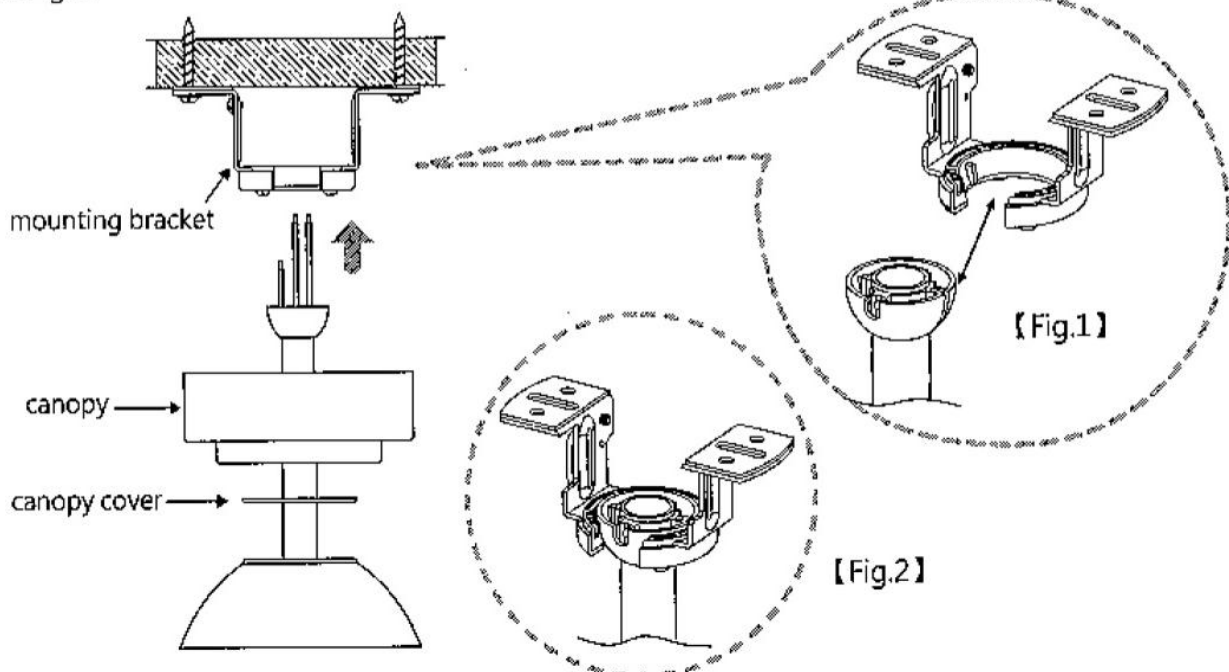
- ④ Align holes of blade holder on the motor packing holes as shown in Fig.1 , then tighten screws.



- ⑧ Loosen two screws at the yoke of the motor assembly. Slide the canopy into the downrod. Thread the power leads from the fan through the canopy, decorative cover and downrod (take extra care not to pull power wires damage). Set downrod into yoke and rotate until the holes match. Then insert lock pin through the holes and firm it with R pin as shown in Fig.1. Tighten two screws and nuts at the top yoke of the motor assembly. Fit the cover to the fan body and turn to lock it into position as shown in Fig.2.
- Attention :** Make sure the R pin and lock pin is proper and secure to prevent the fan from falling or causing property damages or personal injury.

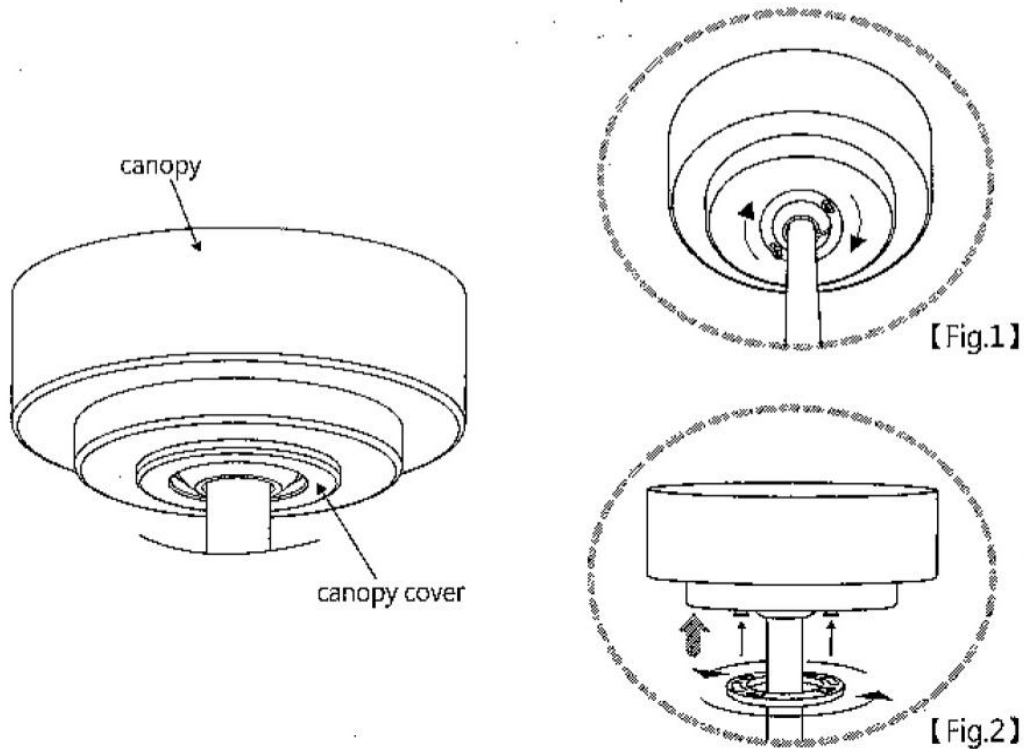


- ⑨ When mounting the fan, ensure that all screws are tightened. Install downrod (ball part) into mounting bracket opening that already securely fastened to a structural ceiling member. The tab opposite of the mounting bracket opening should fit in slot on ball as shown in Fig.1 & Fig.2.

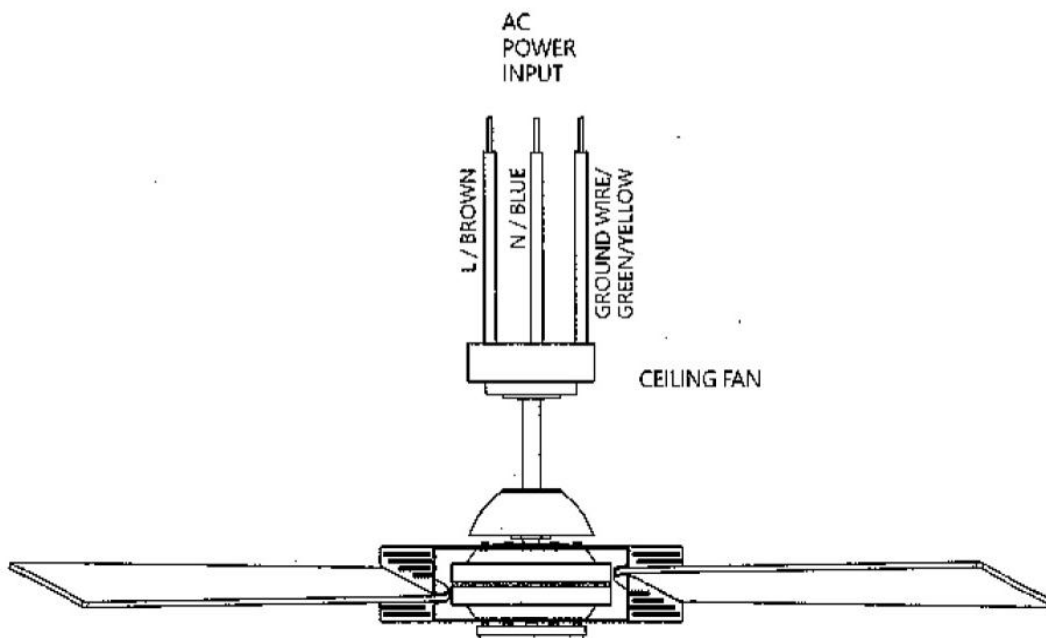


- Align holes of canopy with mounting bracket screw, rotate canopy to fix as shown in Fig.1 , tighten two screws and canopy cover as shown in Fig.2.

ATTENTION: MAKE SURE ALL WIRES ARE PROPER CONNECTED.



- Connect BROWN wire from fan motor and the live wire from the ceiling. Connect BLUE wire from fan motor and the neutral wire from the ceiling. Make sure that the ground wire from the ceiling is connected to the GREEN/YELLOW wire of the ceiling fan.



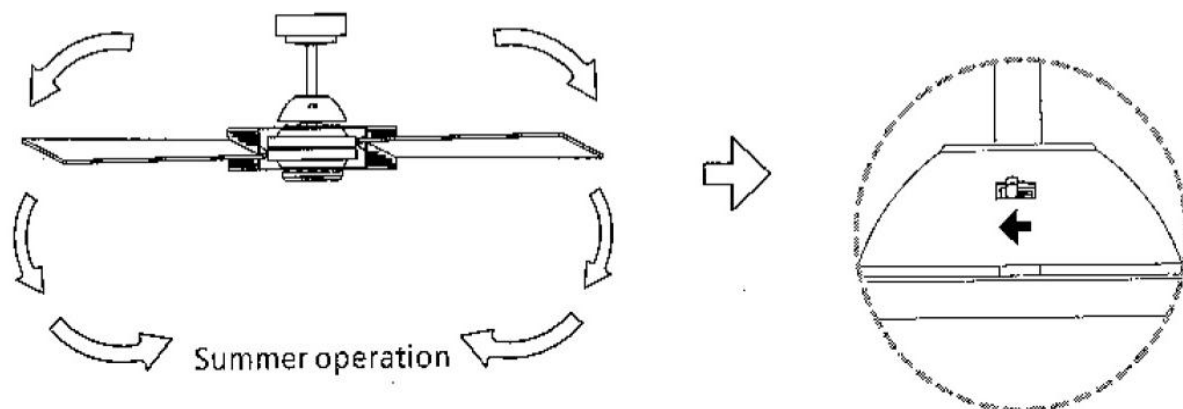
- ⊗ Reversible switch: switch to the left is downward airflow and switch to the right is upward airflow.

(The illustration for user reference only, the actual airflow depends on on-site situation.)

NOTE: Set the reversible switch when the fan stops completely.

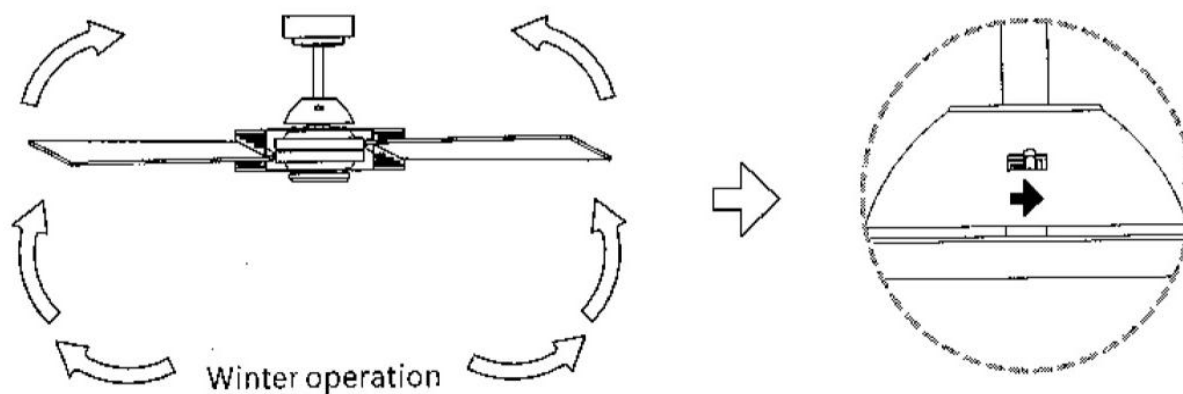
※ Warm weather -

Downwards airflow creates a cooling effect. This allows you to set your air conditioner on a warmer setting without affecting your comfort.



※ Cool weather -

An upwards airflow moves warm air of the ceiling area. This allows you to set your heating unit on a cooler setting without affecting your comfort.



Problem A: Fan do not start

Remedies:

1. Turn off power and check wiring connection.
2. Check the wiring to see whether there is any problem.

Problem B: Excessively noise

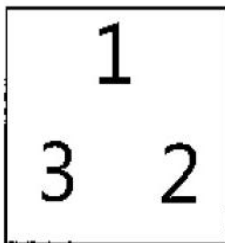
Remedies:

1. Check all the screws to see whether they are completely tightened.
2. Check mounting bracket and make sure it's properly installed.

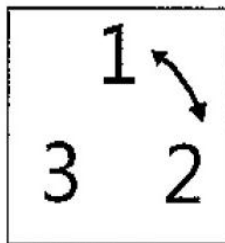
Problem C: Fan wobbles

Remedies:

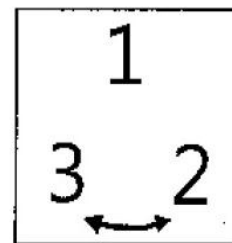
1. Check and make sure that all the blades are completely fixed or not.
2. Check downrod screws are tightened or not.
3. If this situation still existed, please try to switch blade installation in sequence.



Numbered tape placement



Switch 1-2



Switch 2-3