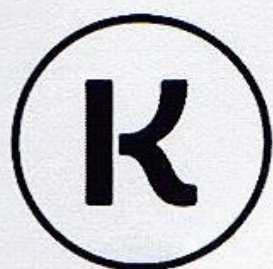
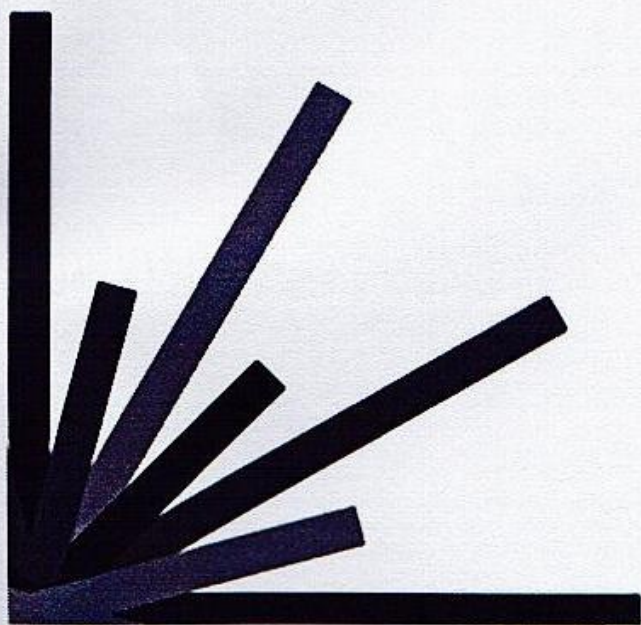


MR  
KEN

Aesthetics of Wind  
Since 1985



LIGHTING



CLARE

---

MASTERWORKS

GUIDE

---



---

# SAFETY PRECAUTION

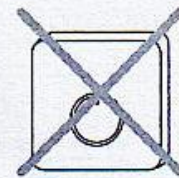
---

## IMPORTANT : PLEASE READ BEFORE INSTALLATION.

1. Do not connect this remote control ceiling fan to regulator or dimmer switch.
2. Installation must be carried out by a qualified wiring installer.
3. Turn off the electrical mains at the circuit breaker fuse box.
4. Do not use power supply other than 220-240V~ 50Hz.
5. This appliance must be earthed.
6. When mounting the fan, ensure that the safety wire is loop across the ceiling mounting hook.
7. The ceiling mounting hook must be able to withhold a min. weight of 60 kg.
8. The ceiling fan must be mounted at a min. height of 7.5 feet / 2.3m of clearance from the floor.
9. Do not place any objects in the path of the blades.
10. When all electrical connections are done, store all wires neatly.
11. Make sure that all screws and connection are tightly screwed and secured.
12. Children should be supervised to ensure that they do not play with the appliance.
13. Ensure that the fan is switched off from the supply mains before removing the guard.



Regulator



Dimmer Switch

## WARNING

This product is designed to use only those parts supplied with this product and/or accessories designated specifically for use with this product. Using parts and/or accessories not designated for use with this product could result in personal injury or property damage.

## NOTE

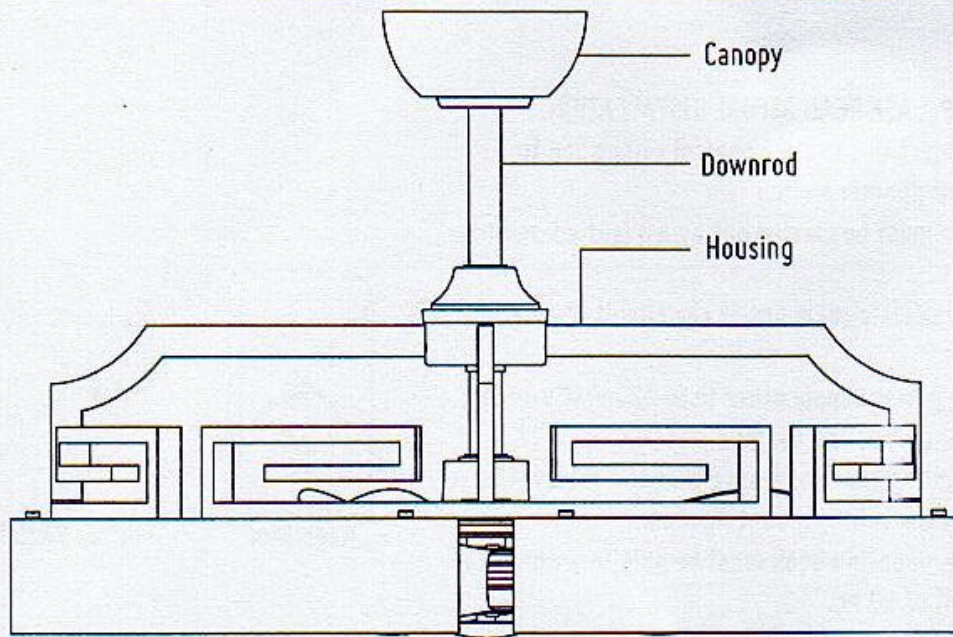
The illustrations in this manual are for explanation purposes only and may differ from the actual unit. It is subjected to change without prior notice for further improvements.



---

# PARTS & ACCESSORIES

---

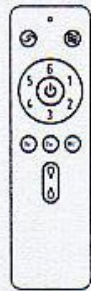


---

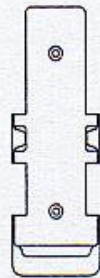
## Transmitter Kit

---

Transmitter



Transmitter Holder



Battery



CR2032/3V

Wall Screw x 2



---

## Assembly Kit

---



Expansion Bolt x 4

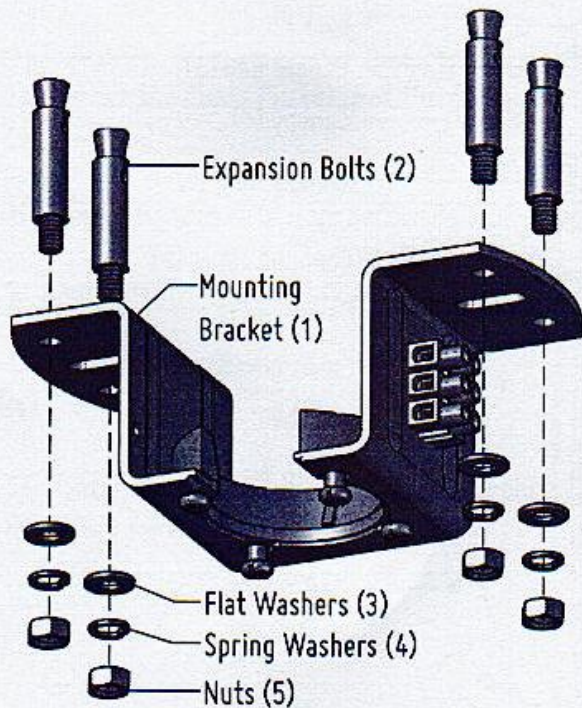


Self Tapping Screw & Washer x 4

---



# INSTALLATION INSTRUCTION



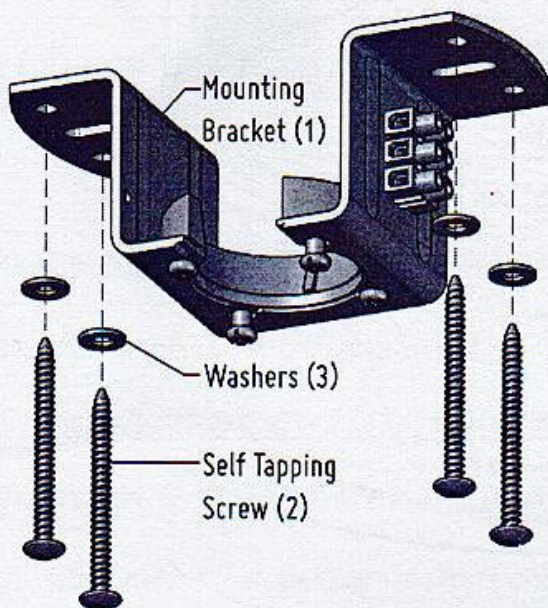
## STEP 1A - CONCRETE CEILING

**SWITCH OFF THE ELECTRICAL MAINS AT THE CIRCUIT BREAKER FUSE BOX.**

1) Use the Mounting Bracket (1) as a guide, mark the spots where the 4 Expansion Bolts (2) will be drilled.

2) Remove the Mounting Bracket (1), drill 4 holes and insert 4 Expansion Bolts (2) into the concrete ceiling, install the mounting bracket and secure with Flat Washers (3), Spring Washers (4) and Nuts (5).

**IMPORTANT : SCREWS & NUTS MUST BE TIGHTENED TILL SNUG**



## STEP 1B - WOODEN CEILING

**SWITCH OFF THE ELECTRICAL MAINS AT THE CIRCUIT BREAKER FUSE BOX.**

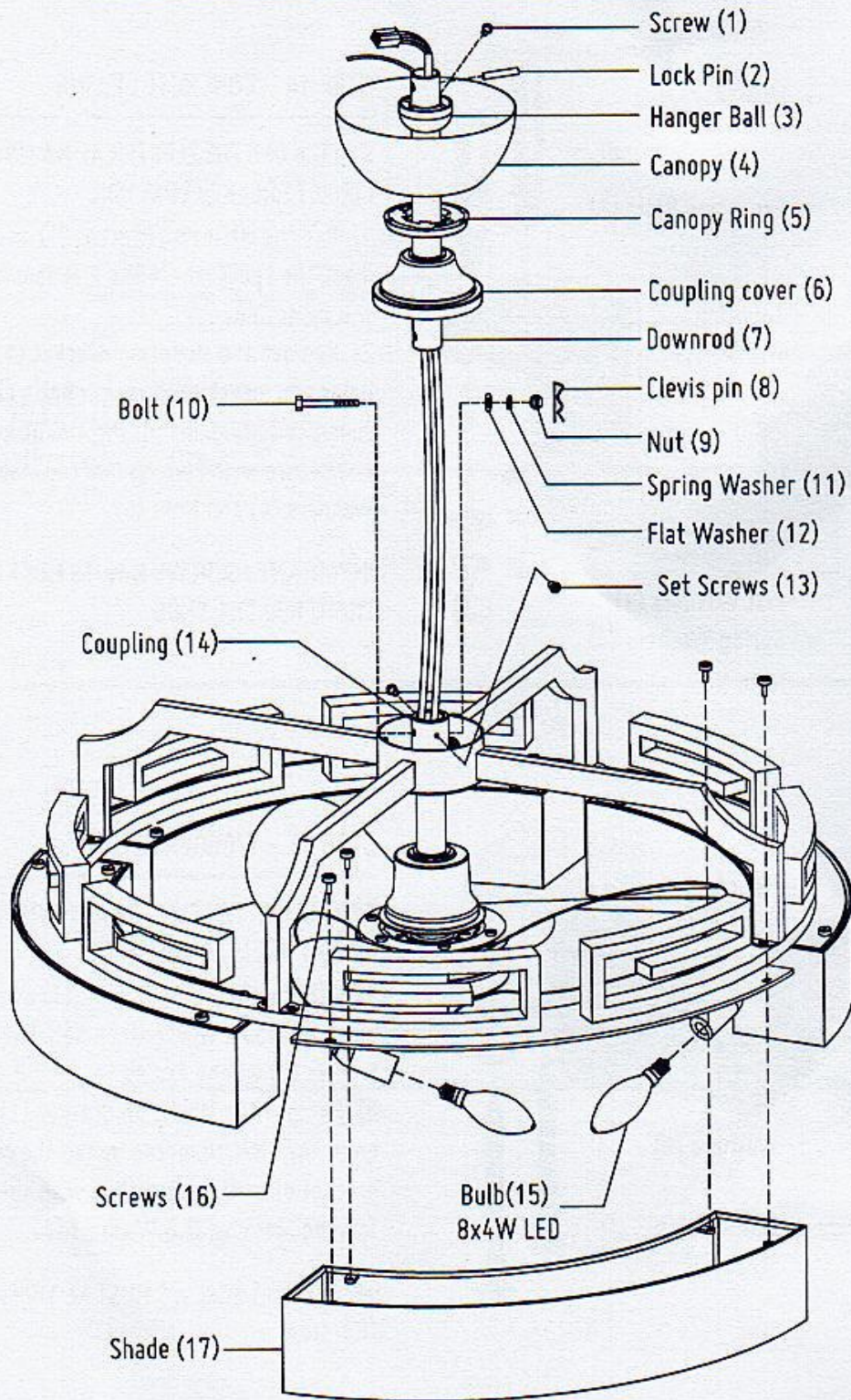
1) Use the Mounting Bracket (1) as a guide, mark the spots where the 4 Self Tapping Screws (2) will be drilled.

2) Remove the Mounting Bracket (1), drill 4 holes for 3MM diameter, install the mounting bracket onto wooden ceiling with the 4 Self Tapping Screws (2) & Washers (3).

**IMPORTANT : SCREWS MUST BE TIGHTENED TILL SNUG**



# INSTALLATION INSTRUCTION

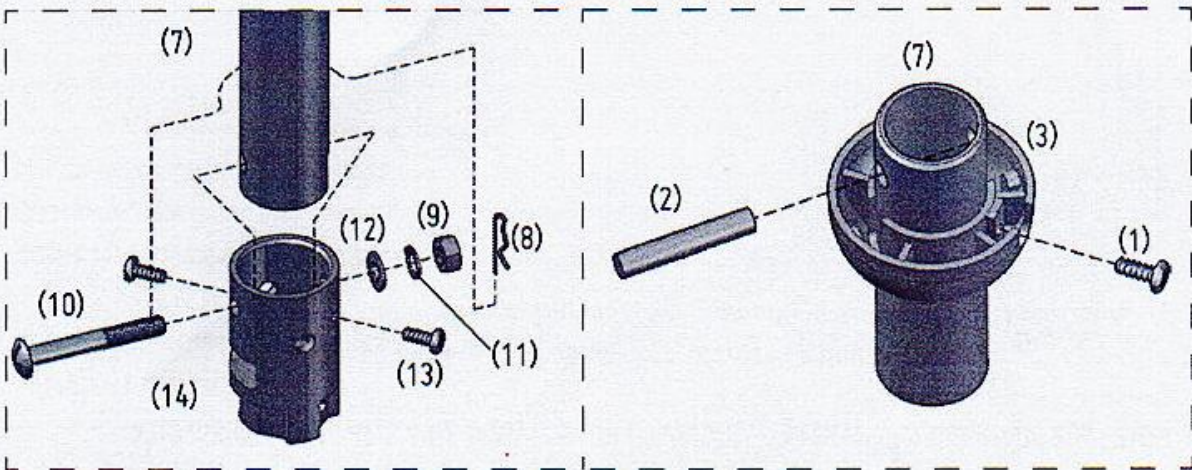




# INSTALLATION INSTRUCTION

## STEP 2

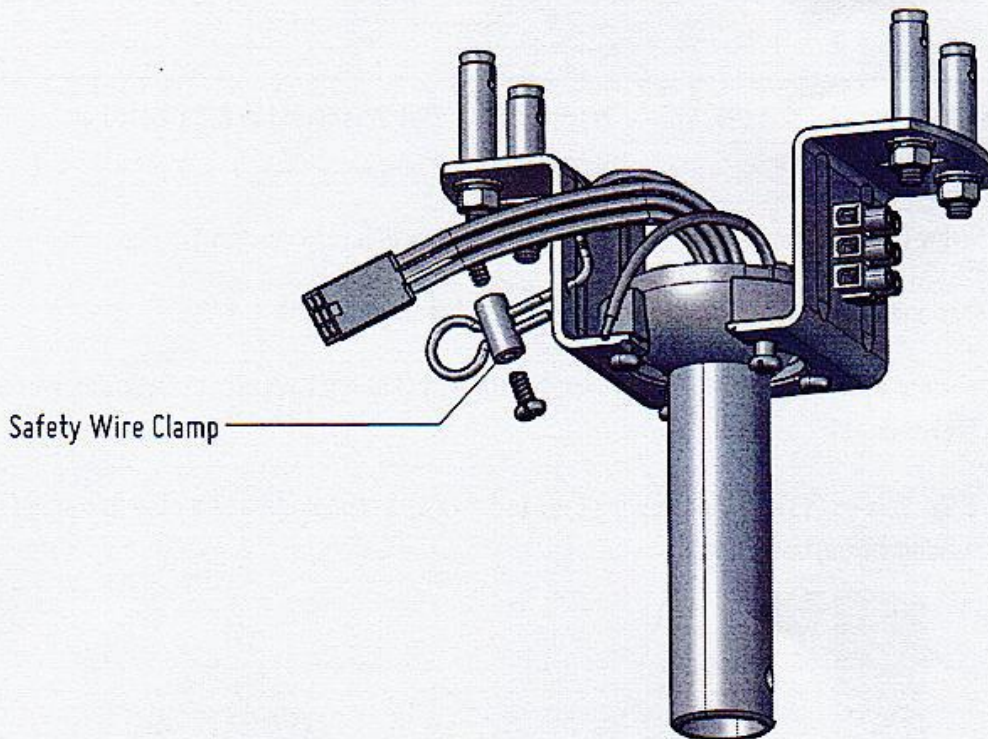
- 1) Remove the Clevis Pin (8), Nut (9), Spring Washers (11), Flat Washers(12) & Bolt (10) on Coupling (14).
- 2) Loosen the Screw (1) from Hanger Ball (3), remove the Hanger Ball (3) and Lock Pin (2).
- 3) Route the wires and safety wire from the motor through the Downrod (7).
- 4) Install the Downrod (7) to Coupling (14) and secure with Bolt (10), Flat Washer (12), Spring Washer (11), Nut (9) & Clevis pin (8).
- 5) Tighten the 2 Set Screws (13) on the Coupling (14) to serve as a clamping force on the Downrod (7) to prevent fan shaking during operation.



- 6) Route the Coupling cover (6), Canopy Ring (5), Canopy (4) and Hanger Ball (3) through the Downrod (7) in turn, and then install the Lock pin (2) through the hole on the Downrod (7). Slip the hanger ball (3) upward to lock Pin (2), and fix it by Screw (1), then slip down the Coupling Cover (6) in correct position.
- 7) Remove the stopper(x3) on the top of fan motor.
- 8) Install the light bulbs (15) as provided **(maximum wattage for each bulb is 4W)**.
- 9) Install Sahde (17) on the body and secure with Screw (16).



# INSTALLATION INSTRUCTION

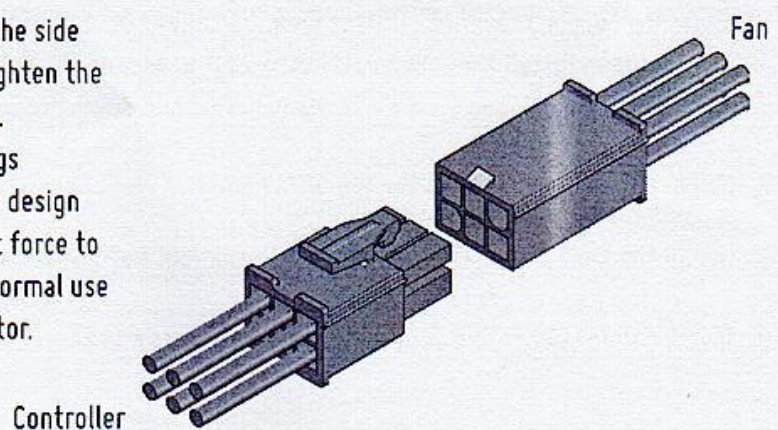


## STEP 3

- 1) Raise the fan and place the hanger ball onto mounting bracket.
- 2) Rotate the fan until the notch on hanger ball snapped into the slot on mounting bracket and sits firmly.

**NOTE : THE DOWNROD AND HANGER BALL SHOULD NOT ROTATE IF THIS STEP IS DONE CORRECTLY.**

- 3) Loosen the safety wire clamp.
- 4) Route the safety wire through the side hole on mounting bracket, and retighten the safety wire with safety wire clamp.
- 5) Connect the wire connector plugs correctly. The wire connector plugs design with fool proof device, please don't force to plug. Otherwise it may affect the normal use of the light fan or burn the fan motor.





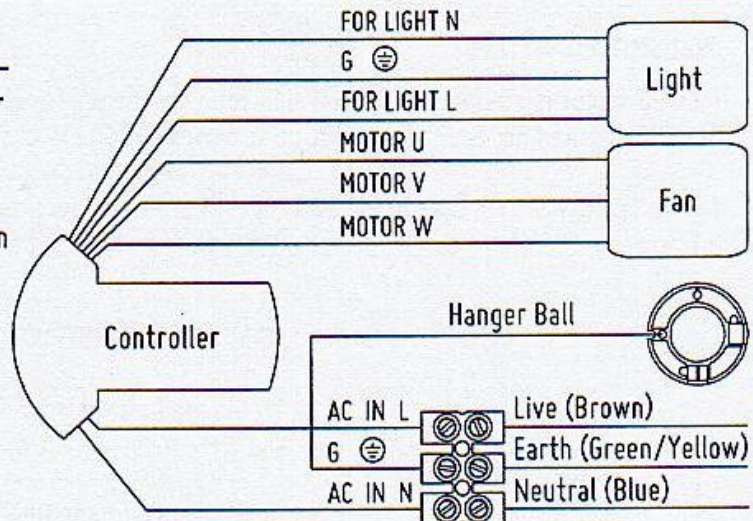
# INSTALLATION INSTRUCTION

## STEP 4

**SWITCH OFF THE ELECTRICAL MAINS AT THE CIRCUIT BREAKER FUSE BOX.**

1) Connect wires from receiver to terminal block properly as instruction diagram.

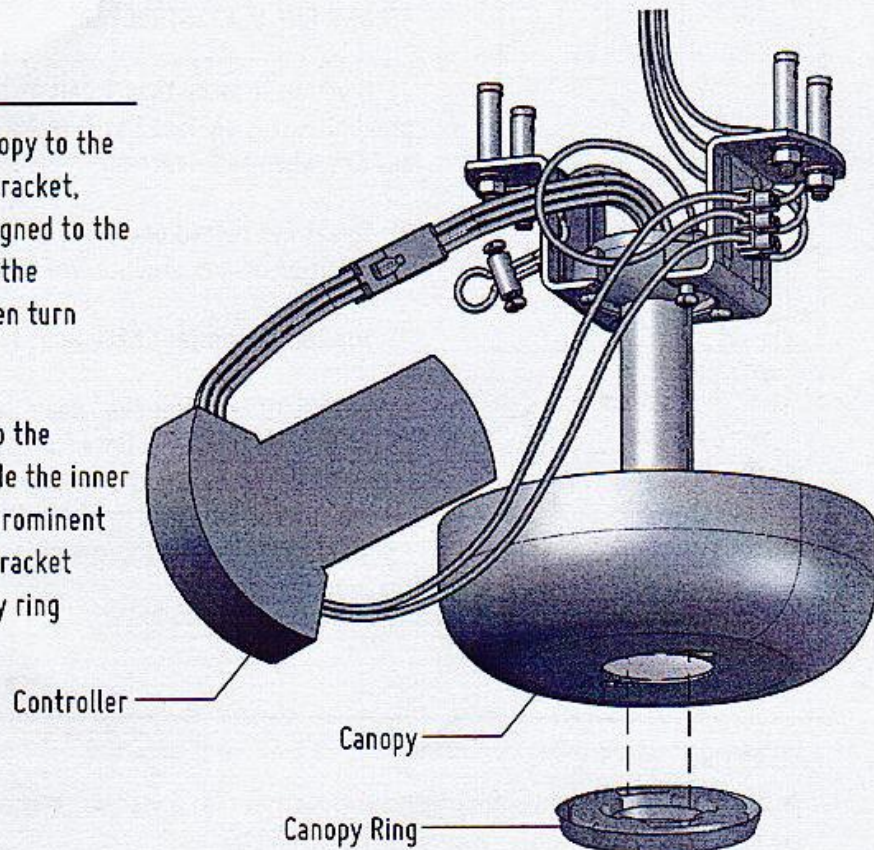
2) Insert the controller into the space of the mounting bracket, and tidy up the wiring.



## STEP 5

1) Carefully push the canopy to the bottom of the mounting bracket, make two sliding holes aligned to the two prominent screws on the mounting bracket, and then turn clockwise until tight.

2) Push the canopy ring to the bottom of the canopy, slide the inner holes aligned to the two prominent screws on the mounting bracket again, and turn the canopy ring clockwise until tight.





---

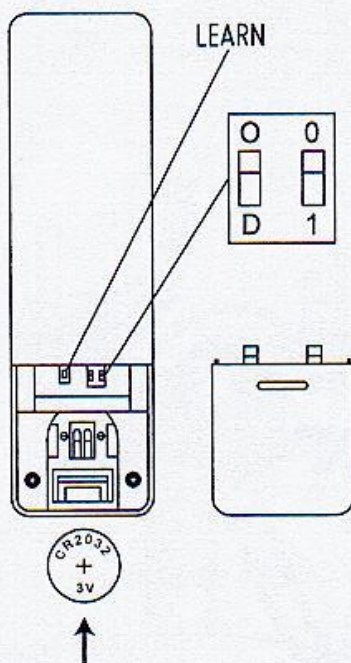
# TRANSMITTER FUNCTION

---

## TRANSMITTER SETTING

This DC motor is equipped with self-learning frequency function transmitter. Read all the steps BEFORE proceeding. Each step must be followed exactly in order to program the transmitter.

To use factory pre-programmed setting — Skip the below programming steps. Insert battery into transmitter, turn on the power supply to fan and it is ready to use.



## FIRST ONE USE INSTRUCTION

- 1) Dial up to position "0", it is on/off only for the lighting, and it is the brightest of the light.
- 2) Dial down to position "D", the brightness of the light can be control low or high.

## SECOND ONE USE INSTRUCTION

- 1) If you have more than 1 unit of this fan model in close proximity, it is equipped self-learning, please don't press any key when self-learning.
- 2) To set the second one down to the position of "1" (set to "0" position on one product when used directly).
- 3) Turn on the power of the light fan.
- 4) Within 30 sec after the "Beep", press and hold the LEARN button for 3 sec. Once the receiver has detected and learned the frequency, the receiver will "Beep" twice, meanwhile the light will bright out twice. Programming/self-learning process is completed and fan is ready to use.

---

## ATTENTION

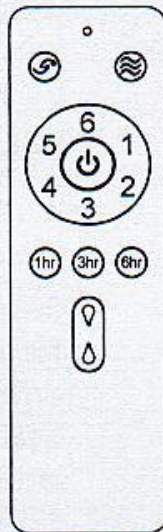
- 1) If the fan is not responding to the transmitter. Turn off the power supply to fan for 30 sec and then restore power & reset the transmitter.
- 2) If long time not to use the transmitter, please take the battery out.



---

# TRANSMITTER FUNCTION


---




## TRANSMITTER FUNCTION


### FAN SPEED


Fan speed 1 – 6 control (1–low speed, 6–high speed)


 Turns off the fan


Timing the fan


 Auto off after 1 hr


 Auto off after 3 hr


 Auto off after 6 hr

 Cancel timing setup

 Forward or reverse operation: change fan rotating direction.

 Natural Wind: Press the button to change fan rotating direction. Fan speed changes within its range creating gentle natural wind effect.

 Lamp on–off control

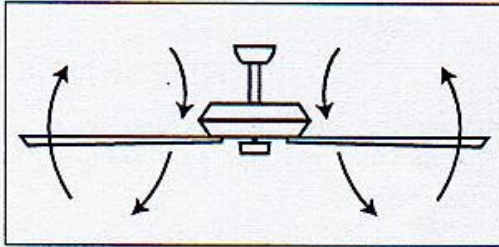
 When the first one dial down to the position of "D", long press this button adjustable light, dimmer in the process, when the light bulbs reach to most bright and dark, have a "Beep" sound tip respectively.



---

## TRANSMITTER FUNCTION

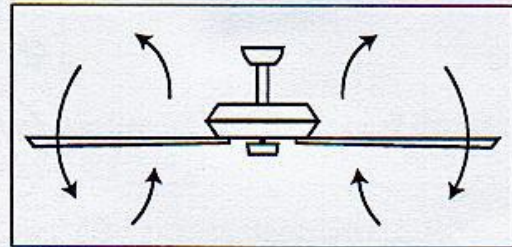
---



### Forward

Fan rotates anti-clockwise creating a downward airflow delivering a cooling effect.

**Suitable for hot weather condition or air-conditioned condition.**



### Reverse

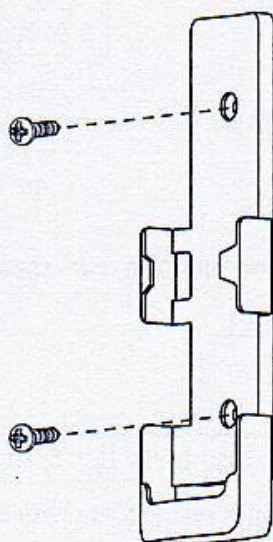
Fan rotates clockwise creating an upward airflow moving warm air off the ceiling areas. This function works best at lower fan speed.

**Suitable for cold weather or air-conditioned condition.**

---

## TRANSMITTER HOLDER

---



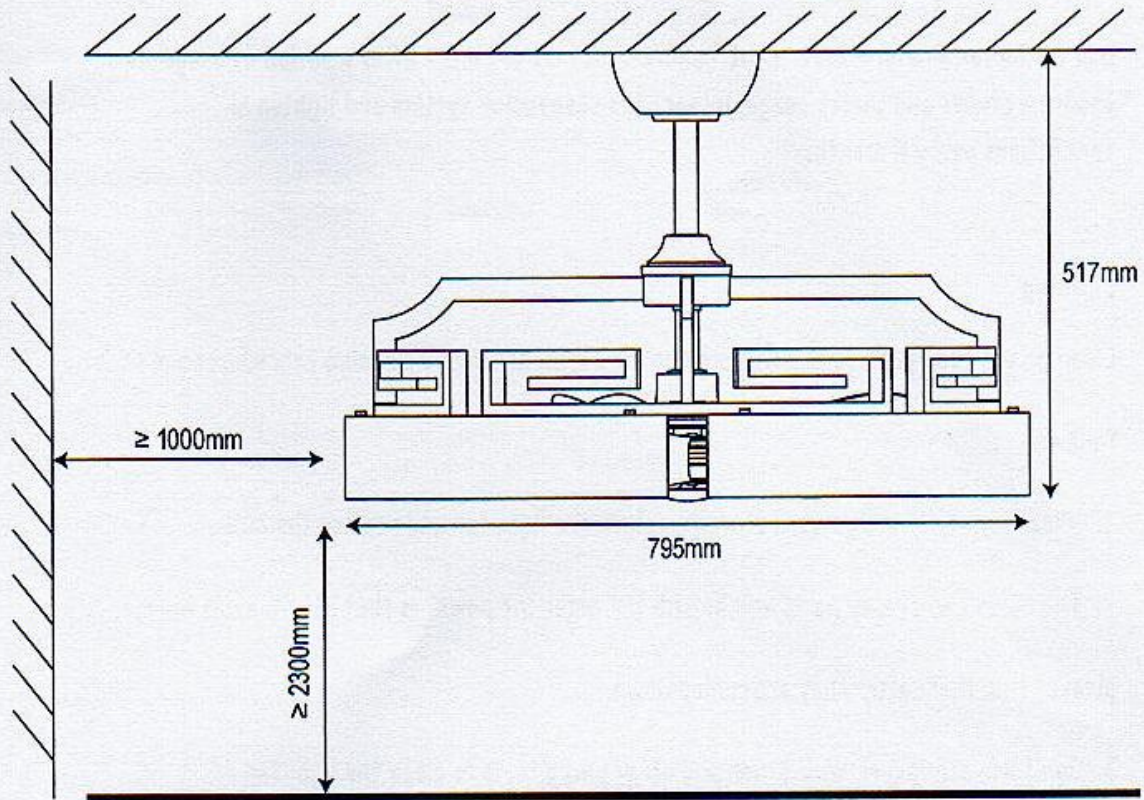
Holder

### Installing Transmitter Holder

Install the transmitter holder to the wall or any flat surface with the two mounting screw provided.



# TECHNICAL SPECIFICATIONS



Model	No. of blades	Fan width	Light bulb	Voltage
CLARE	3	795mm	8x4W LED	220-240V- 50Hz

Speed	Amps	Wattage	RPM	CFM	Nett weight	Gross weight
1	0.062	3.8	90	1170	10.9 kg	18.3 kg
2	0.069	5.3	135	1925		
3	0.085	8.2	182	2732		
4	0.119	13.3	228	3596		
5	0.159	20.1	275	4450		
6	0.226	31.9	320	5057		

*Specifications & measurements shown are subject to  $\pm 5\%$  variations.*



---

# MAINTENANCE

---

Due to the fan's natural movement, connections may get loose after a period of usage. To ensure a proper and safety usage, inspect the suspension system and tighten all connections every 6 months.

## Cleaning

Cleaning your fan periodically will prolong its useful life. Basic cleaning procedures are as follows:

1. Please shut off the power before you clean the light fan and replace the bulbs.
2. The bulbs and nearby parts will be still hot after the power is shut off. To avoid burn, please clean them after they are cooled down.
3. Don't use sandpaper, wire brush and other sharp tools to clean the light fan.
4. Don't clean the light fan by using detergents, acid or alkaline solvents.
5. Use only soft or lint-free cloth to clean the light fan.
6. Please dry the light fan by cold-blast air after cleaning, in order to prevent dangerous leakage caused by water infiltrated into electriferous parts of the light fan or prevent rust of wet metal parts.
7. There is no need to oil the fan.