



AURA

Assembly and installation manual of ceiling fan

Reference



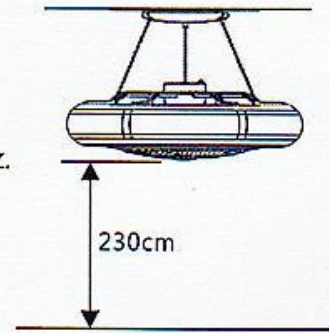
VENTO

The energy conservation reduces the carbon is our responsibility

Attention

Please read all the manual and warranty card thoroughly before installation.
(according to the voltage specification on each product)

1. Installation must be carried out by a qualified electrician.
2. Turn off the electrical mains at the circuit breaker/fuse box.
3. Do not use power supply other than 220V~240V / 50Hz, 60Hz.
4. This appliance must be earthed.
5. When mounting the fan, ensure that the safety wire is looped across the mounting bracket.
6. The mounting bracket must be able to withhold a min. weight of 30Kg and fixed on the ceiling and pull it right after installation.
7. The ceiling fan must be mounted at a min. height of 7.5 feet/2.3m of clearance from the floor.
8. When all electrical connections are done, store all wires neatly.
9. Make sure that all screws and connections are tightly screwed and secured.
10. Please replace a complete set instead of part of it while the product lifespan is due.
11. Please prevent too much moisture on the position where you would like to install ceiling fan.
12. Please install the wires following the order of ground , live and neutral wires.



Warning

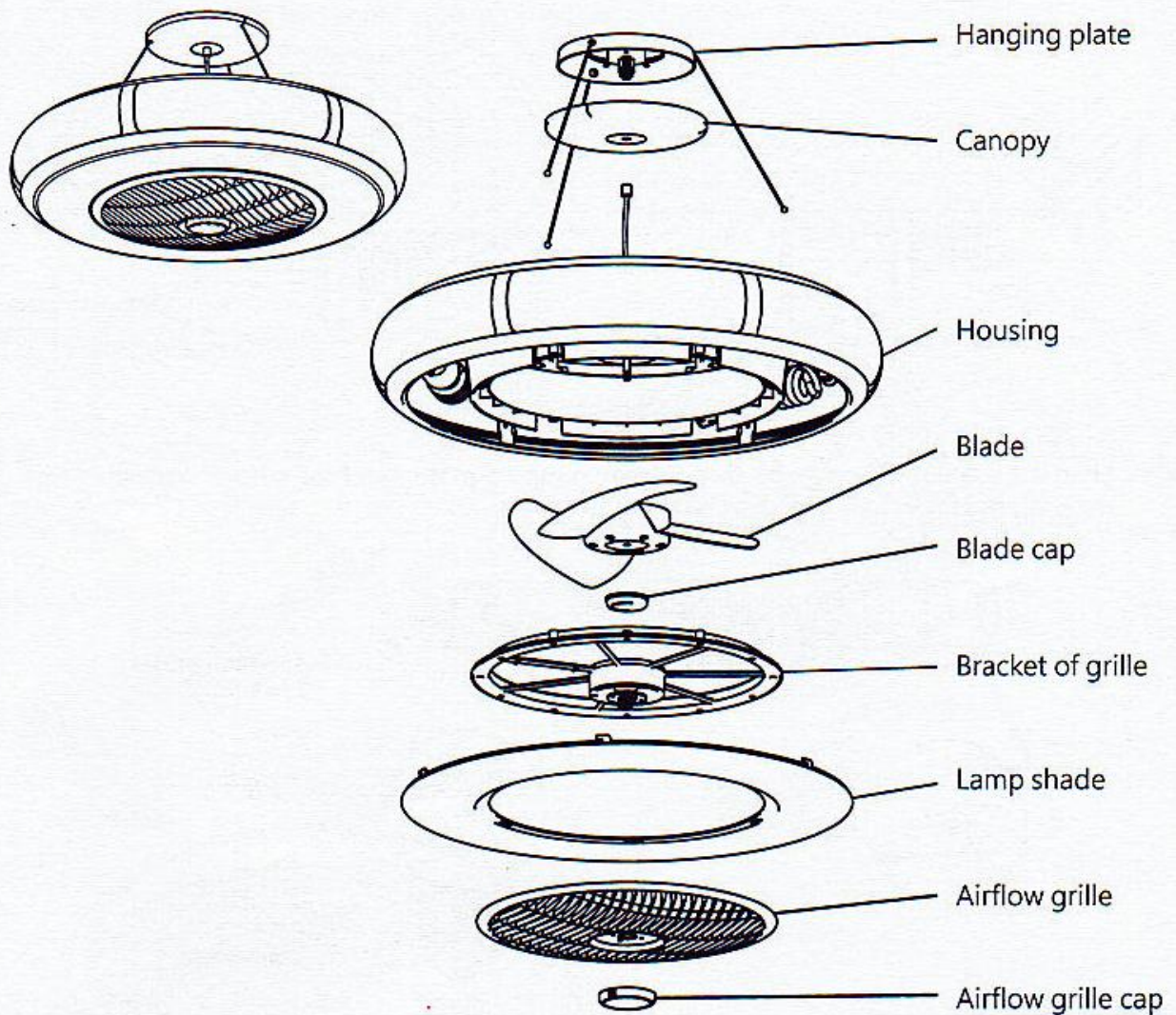
This product is designed to use only those parts supplied with this product and/or accessories designated specifically for using with this product. Using parts and/or accessories not designated for using with this product could result in personal injury or property damage.

Note

This illustrations in this manual are for explanation purposes only and may differ from the actual unit. It is subjected to change without prior notice for further improvements.

Before installation, please check out all the accessories inside the cartons if there is no shortage, you may start it.

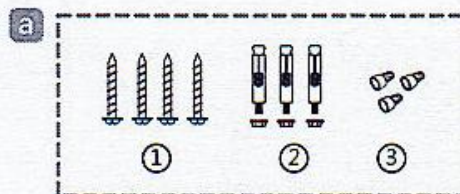
(For convenience, some screws are already attached to the main parts)



a. Main body screws kit

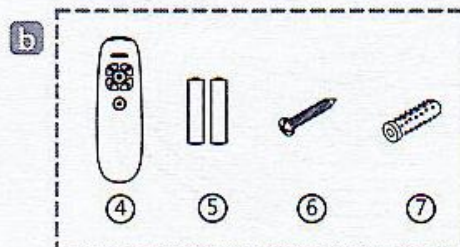
Screws set includes below items:

- ① Screws(for wooden ceiling) x 4
- ② Expansion screws x 3
- ③ Wire connector x 3



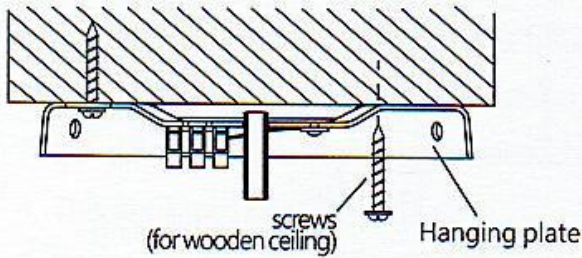
b. Remote control kit

- ④ Transmitter x 1
- ⑤ 1.5V Battery x 2
- ⑥ Screw for R/C wall bracket x 1
- ⑦ Plastic expansion screw x 1



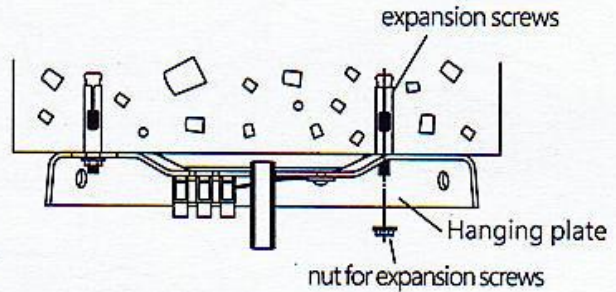
A-1

Installation on wooden ceiling :
Fix hanging plate on the ceiling with ceiling joist or suitable piece of timber.

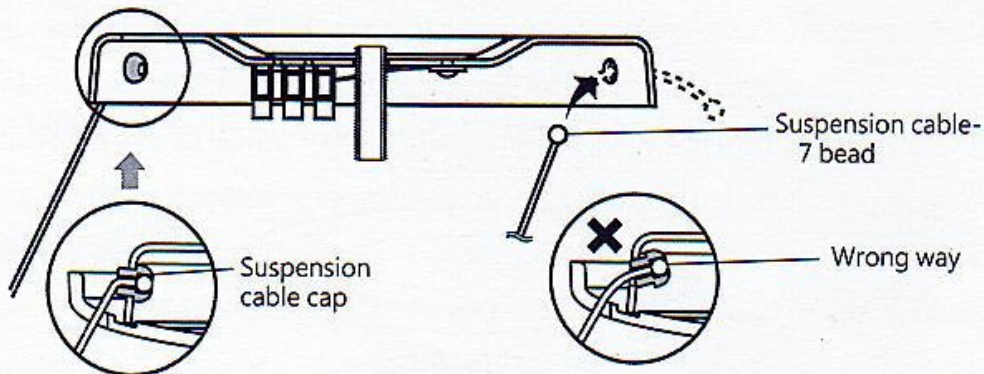


A-2

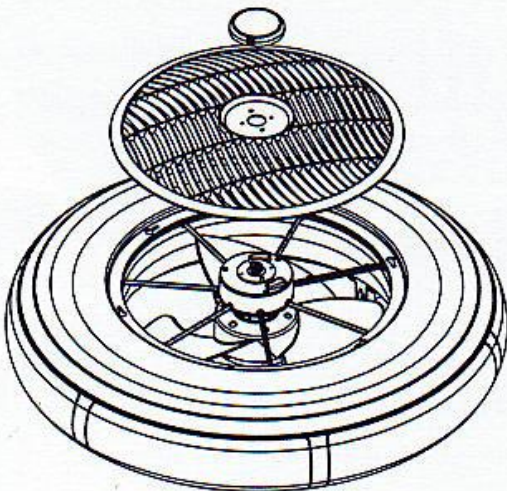
Installation on concrete ceiling :
Please use 8mm power drill bit and drill about 40mm deep. Then fix expansion screws on the ceiling and remove the nuts, then install the hanging plate.



B Lead the suspension cable go through the hanging plate. Lead the suspension cable cap through the hanging plate.

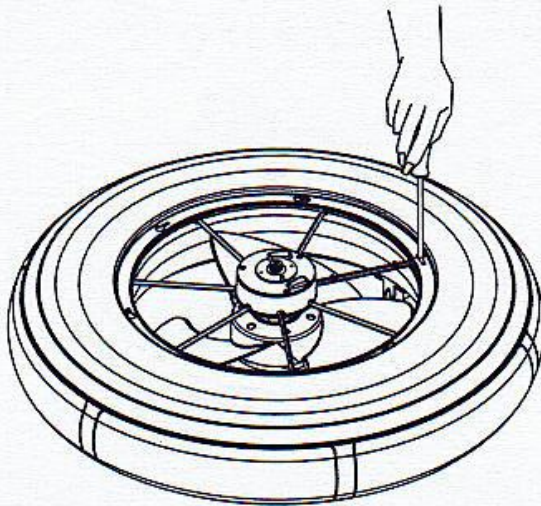


C Bulb fitting(before hanging on the ceiling)



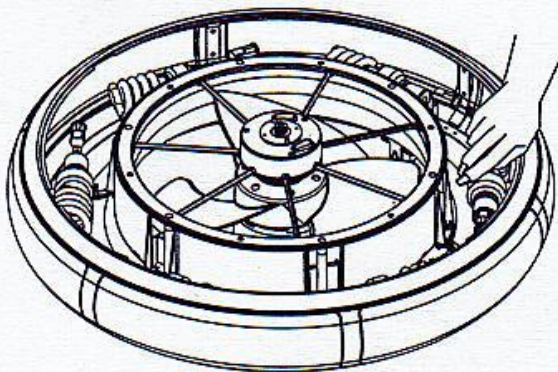
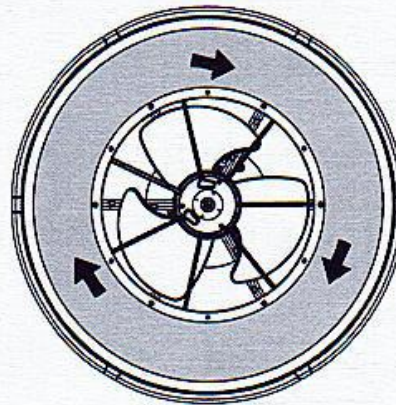
C-1

Remove the airflow grille cap and airflow grille.



C-2

Loosen the screw of bottom light shade (no need to remove), clockwise to take off light shade.



C-3

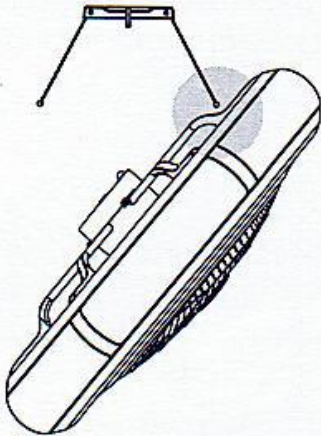
Bulb fitting :

- Each energy saving bulb (E27) not higher than 27W.
- Each LED bulb (E27) not higher than 13W.
- Night light (E12) not higher than 7W.

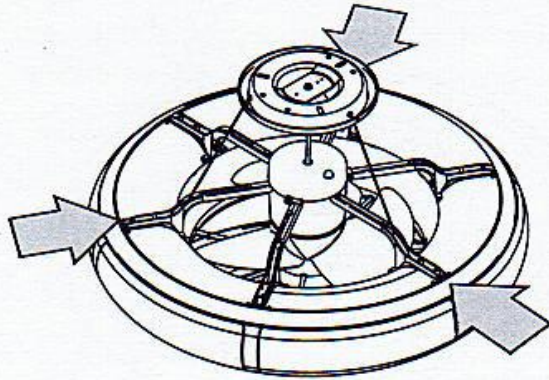
C-4

Going back to C-2 and C-1.

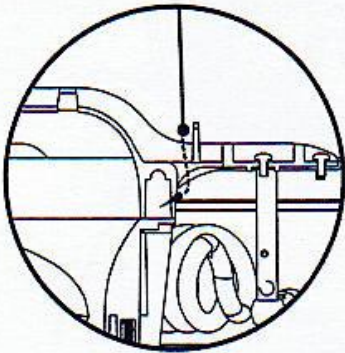
D Installation of fan body



According to following steps to install fan body.

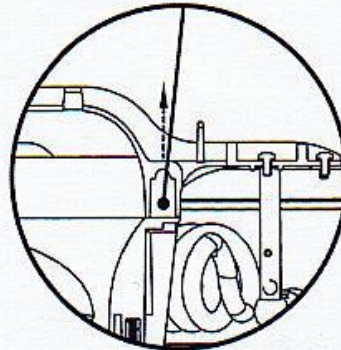


Install three pieces suspension cable, the position as picture.



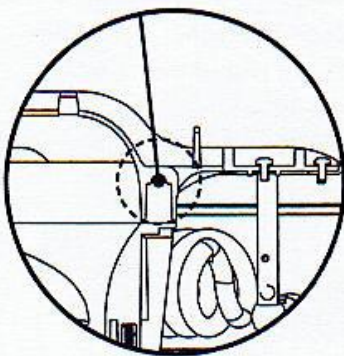
D-1

Install the suspension cable nut .



D-2

After installing the suspension cable cap then pull back as arrow direction.



D-3

After pulling back the suspension cable cap need to embed the socket.

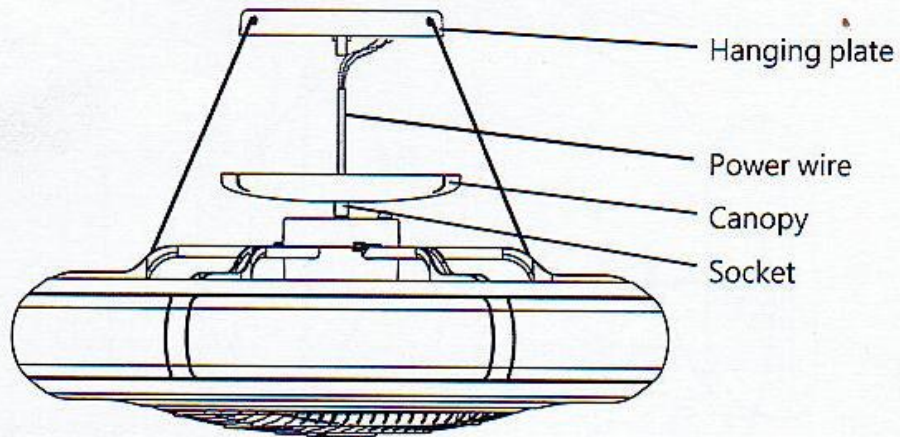


D-4

Repeat D-1 to D-3, install all the suspension cable.

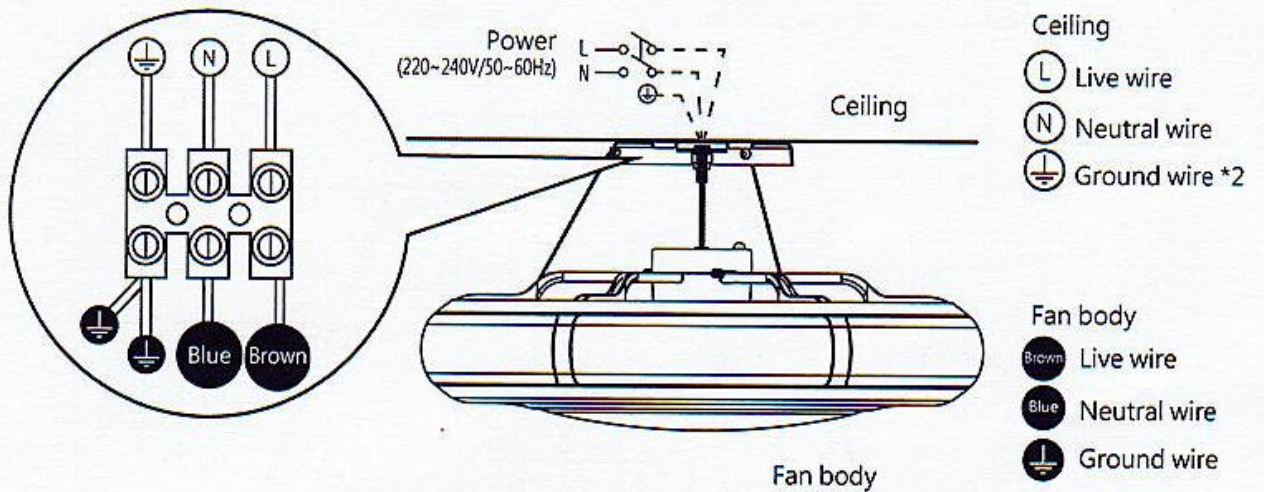
E

E-1 Lead the power wire through the socket, canopy and hanging plate.

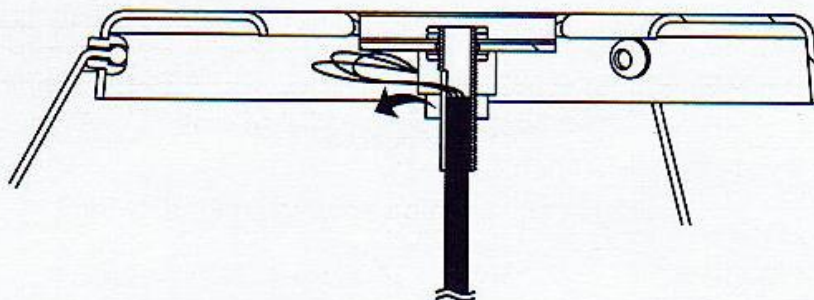


E-2 Lead the power wire and ground wire to fix on the terminal block, and use slotted screwdriver to fixing.

※Please do not fix Live wire at ground wire position of terminal block.

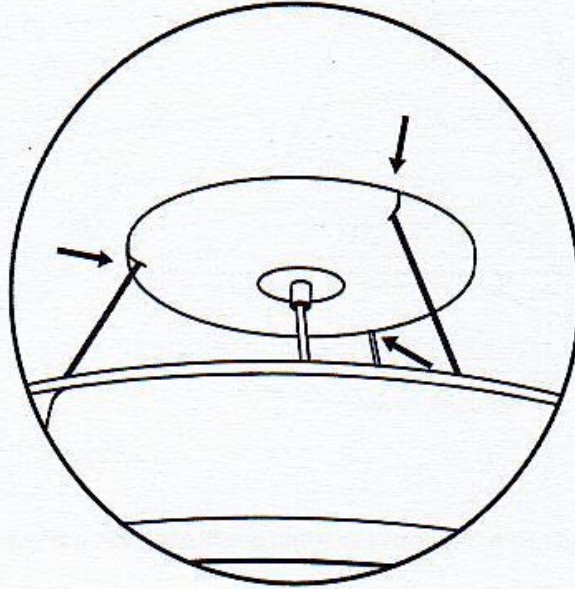


E-3 Place the power wire at notch of pipe.

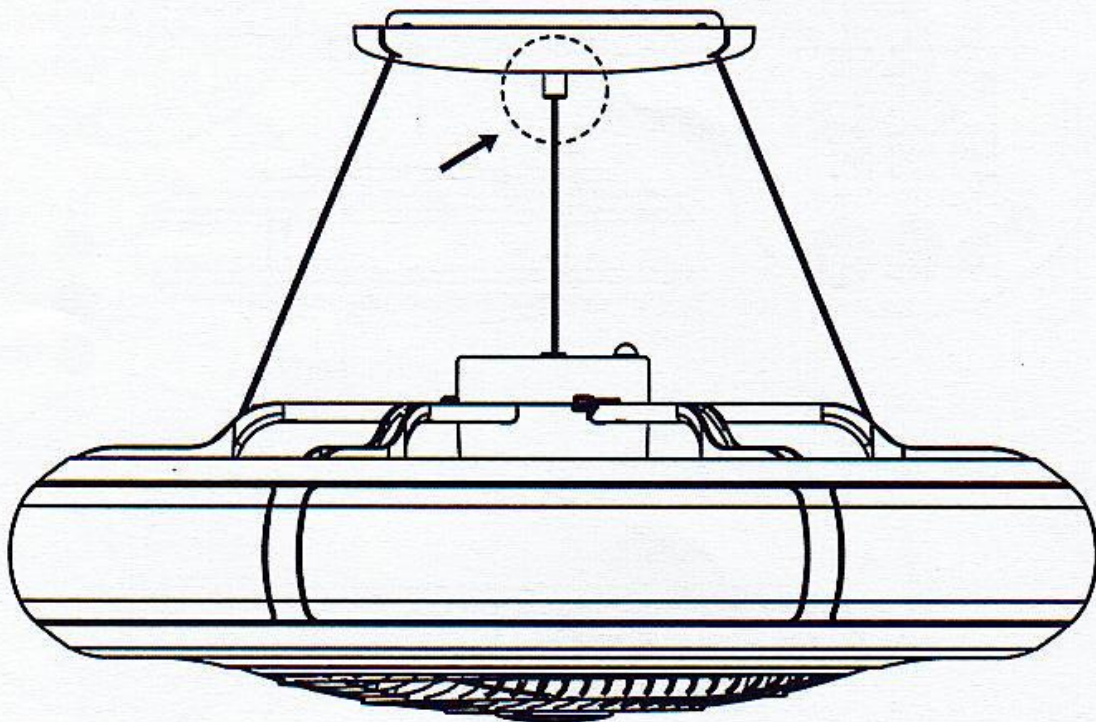


F Installation Canopy

F-1 Push canopy upwards to hanging plate, three suspension cable fix in the notch of canopy.

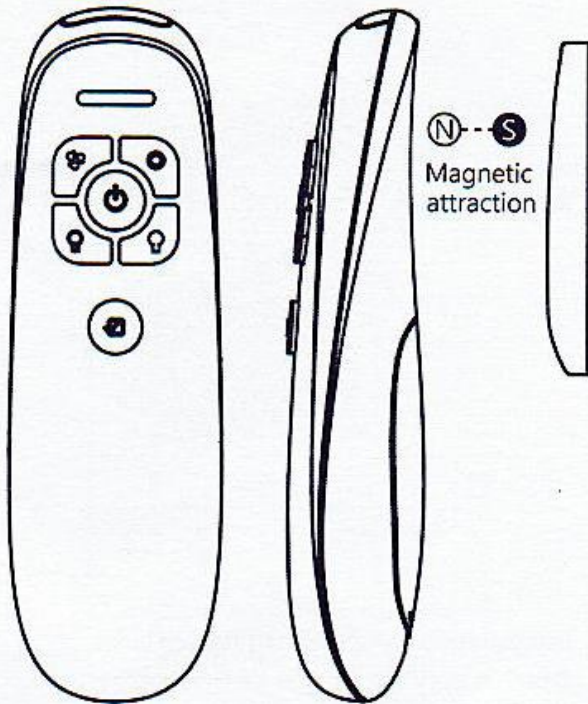


F-2 Tighten the socket to fix the canopy.

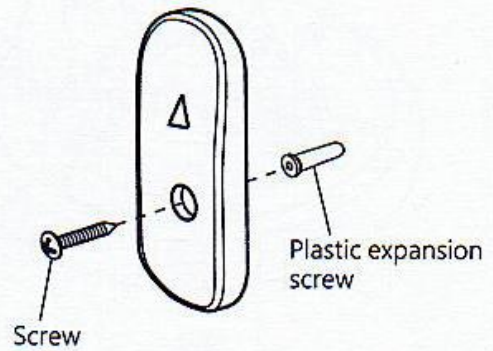


【Ceiling fan installation accomplished drawing】

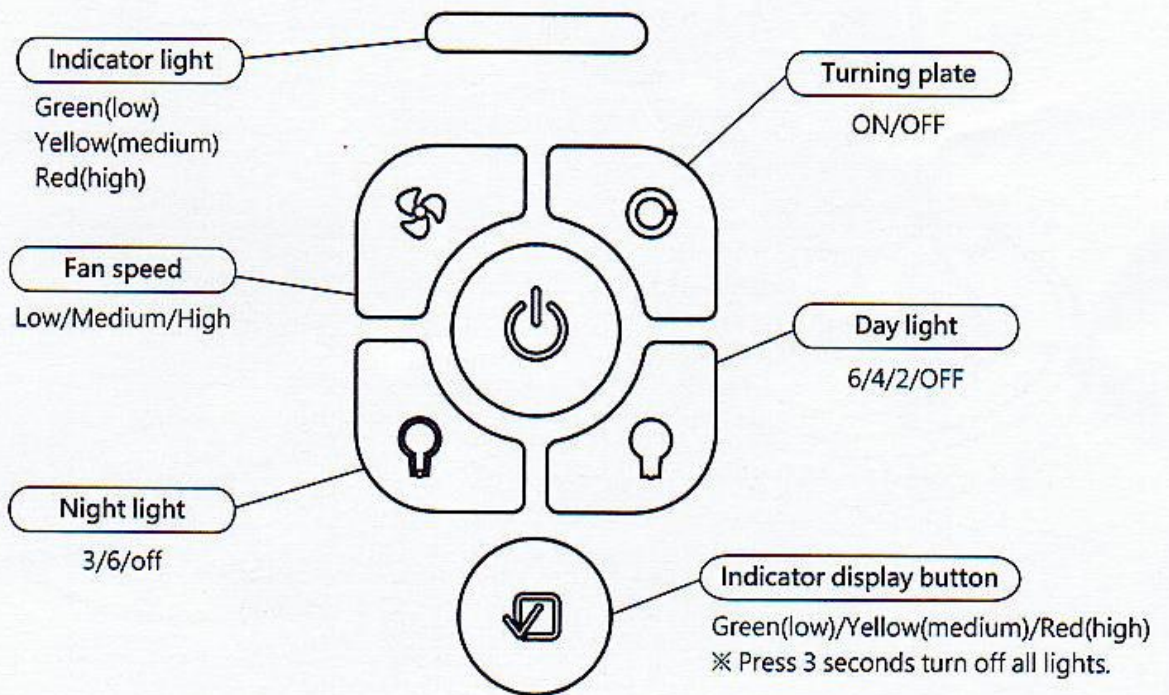
● Appearance

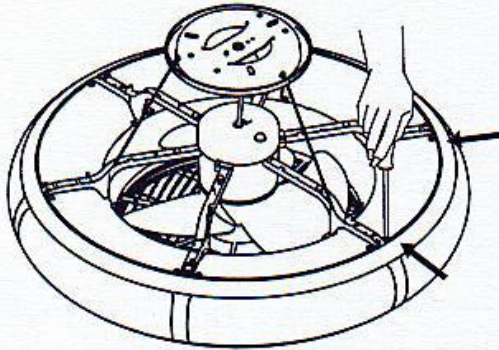


● Installation of transmitter wall bracket

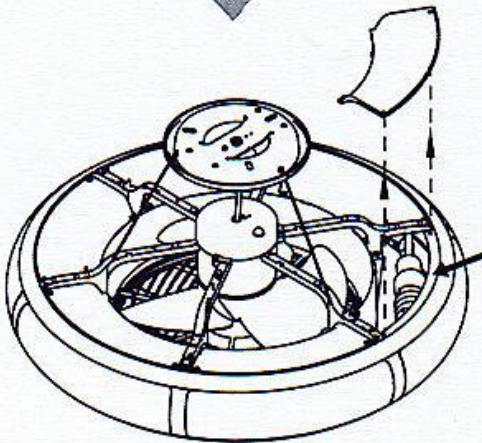


● Control panel operation



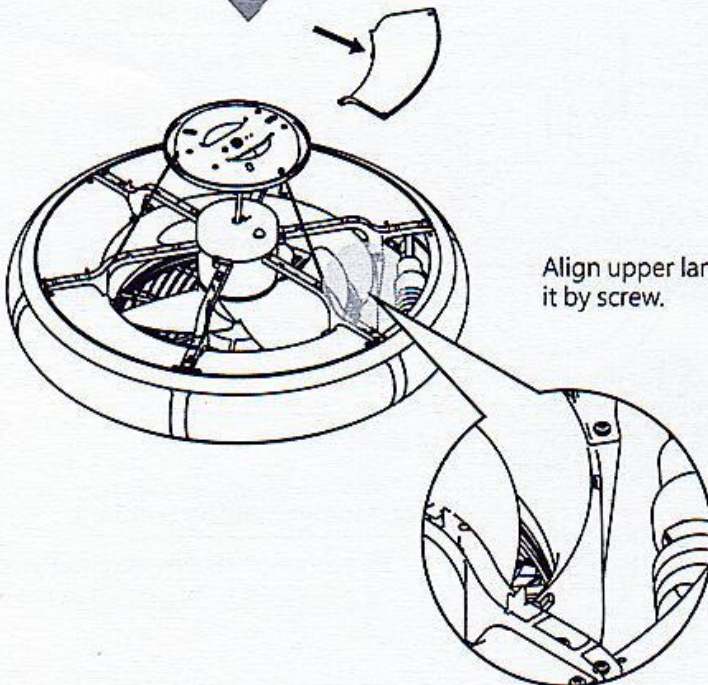
● One bulb replacement :

Remove two screws on upper lamp cover.

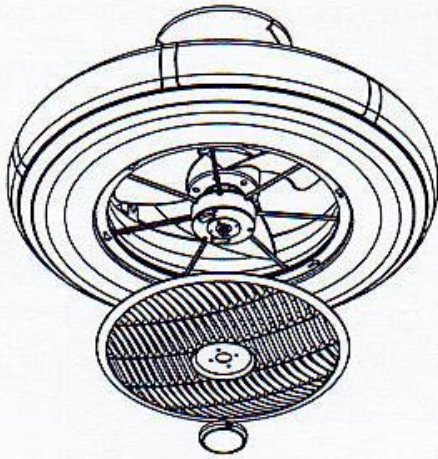


Remove lamp cover then can replace bulbs.

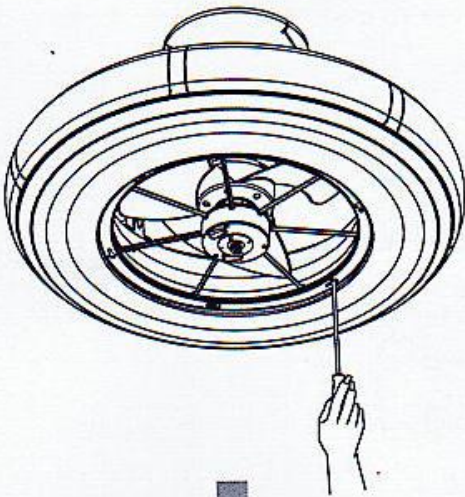
- Each energy saving bulb (E27) not higher than 27W.
- Each LED bulb (E27) not higher than 13W.
- Night light (E12) not higher than 7W.



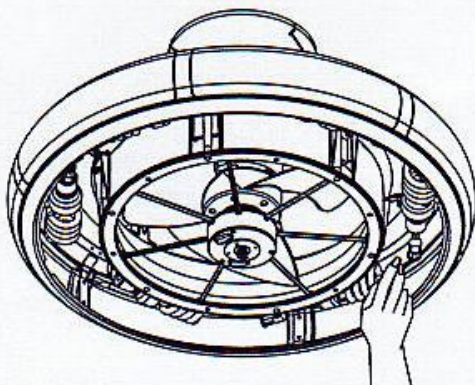
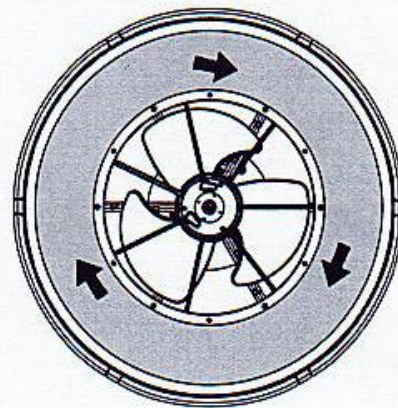
Align upper lamp cover with housing latch and fix it by screw.

● Two or more bulbs replacement

Remove the airflow grille cap and airflow grille.

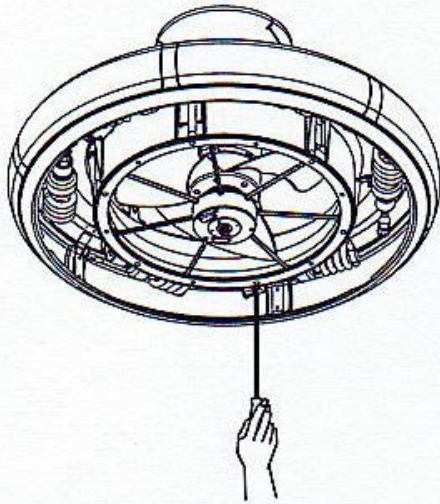


Loosen the screws of bottom light shade (no need to remove), clockwise to take off light shade.

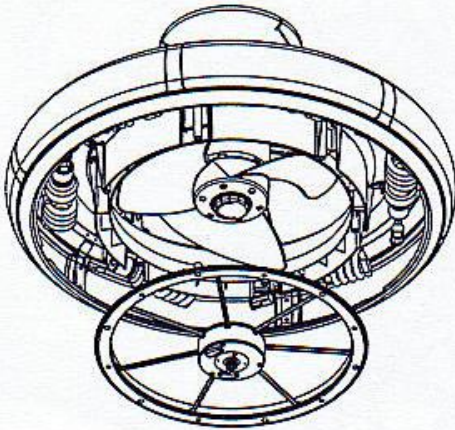
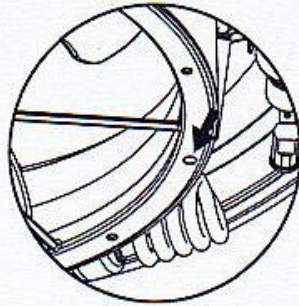
**Bulb fitting :**

- Each energy saving bulb (E27) not higher than 27W.
- Each LED bulb (E27) not higher than 13W.
- Night light (E12) not higher than 7W.

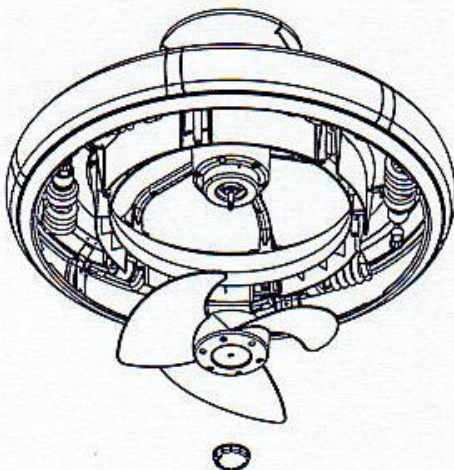
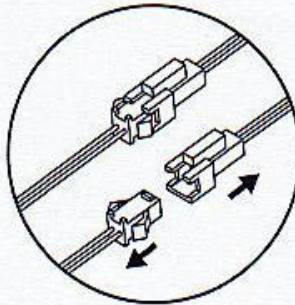
● Blade cleaning



Loosen the bracket of grille by phillips screwdriver.



Take off the bracket of grille and apart of power wire.



Take off blade cap and blade, then can cleaning the blade.

Problem A : Fan does not start

Remedies :

1. Check the transmitter and confirm whether there is any battery power in poor contact or coming off. Replace batteries if necessary.
2. Turn off power and check wiring connection.
3. Check the wiring and fuse to see whether there is any problem.
4. Press indicator display button three lights on means out of battery soon, please change battery soon.

Problem B : Excessively noise

Remedies :

1. Check all the screws to see whether they are completely tightened.
2. Check mounting bracket and make sure it's properly installed.

Problem C : Fan wobbles

Remedies :

1. Check and make sure that all the blades are completely fixed or not.
2. Check light plate are tightened or not.
3. Check suspension cable are fix well.

Index

Important safety instructions	01
Accessory	02
Installation guide	03~07
Remote control operation instruction	08
Maintenance	09~11
Trouble shooting	12