



SWISH

Assembly and installation manual of ceiling fan

Index

Important safety instructions	01
Accessory	02
Installation guide	03~06
Remote control operation instruction	07
First time setting of R/C	08
Trouble shooting	09



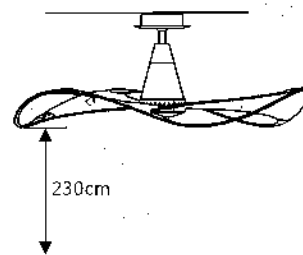
VENTO

The energy conservation reduces the carbon is our responsibility

Attention

Please read all the manual and warranty card thoroughly before installation.
(according to the voltage specification on each product)

1. Installation must be carried out by a qualified electrician.
2. Turn off the electrical mains at the circuit breaker/fuse box.
3. Do not use power supply other than 220V~240V / 50Hz, 60Hz.
4. This appliance must be earthed.
5. When mounting the fan, ensure that the safety wire is looped across the mounting bracket.
6. The mounting bracket must be able to withhold a min. weight of 35 pounds and fixed on the ceiling and pull it right after installation.
7. The ceiling fan must be mounted at a min. Height of 7.5 feet/2.3M of clearance from the floor.
8. Do not place any objects in the path of the blades. While the fan is running, there should not be anything crashing fan blades to prevent any dangerous situation.
9. When all electrical connections are done, store all wires neatly.
10. Make sure that all screws and connections are tightly screws and secured.
11. Please replace a complete set instead of part of it while the product lifespan is due.
12. Please prevent too much moisture on the position where you would like to install ceiling fan.
13. Do not mix the blades together when you purchase more than one set.
14. Fan must be turned off and stopped before reversing fan direction.
15. Please install the wires following the order of ground, live and neutral wires.
16. There must be at least 60cm distance between fan blade and wall.
17. There must be at least 150cm distance between two ceiling fans.
18. Do not place ceiling fan underneath the lighting, that will cause shaking shade.



Warning

This product is designed to use only those parts supplied with this product and/or accessories designated specifically for using with this product. Using parts and/or accessories not designated for using with this product could result in personal injury or property damage.

Note

This illustrations in this manual are for explanation purposes only and may differ from the actual unit. It is subjected to change without prior notice for further improvements.

Before installation, please check out all the accessories inside the cartons if there is no shortage, you may start it.

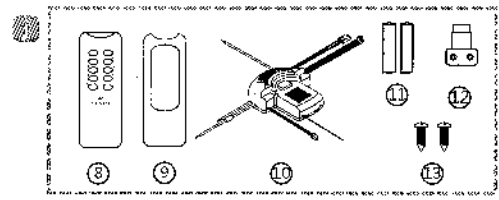
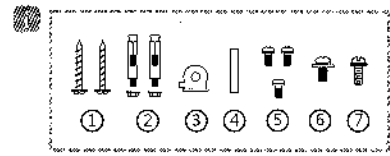
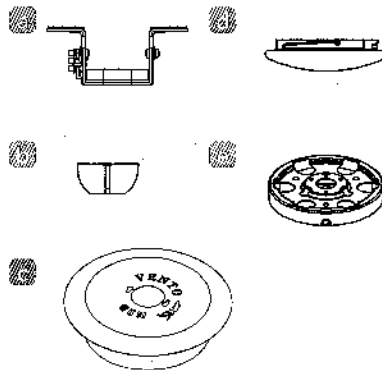
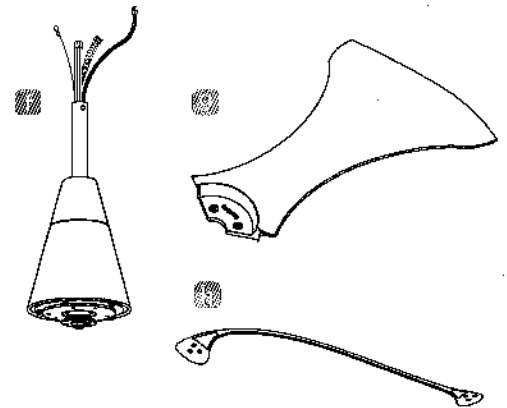
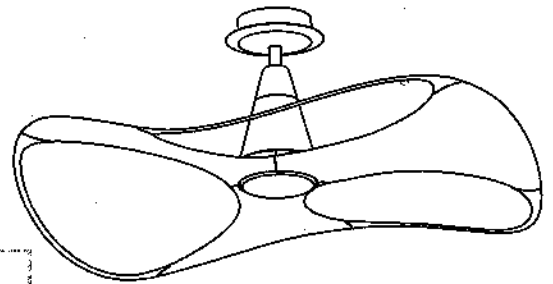
(For convenience, some screws are already attached to the main parts)

- a. Mounting bracket
- b. Ball
- c. Canopy
- d. Lampshade
- e. Light plate
- f. Motor housing with cover
- g. Main blade x 3
- h. Bridge blade x 3
- i. Main body screws kit

- Screws set includes below items:
- ① Screws(for wooden ceiling) x 2
 - ② Expansion screws x 2
 - ③ Clasp x 1
 - ④ Lock pin x 1
 - ⑤ Cross screws x 3
 - ⑥ Blade screws x 7
 - ⑦ Blade screws x 19
(Main blade/Bridge blade)

j. Remote control kit

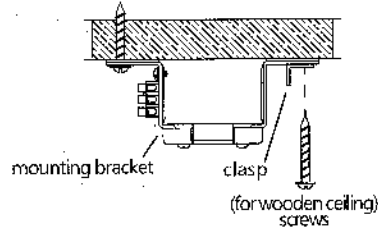
- ⑧ Transmitter x 1
- ⑨ Transmitter cover x 1
- ⑩ Receiver x 1
- ⑪ 1.5V Battery x 2
- ⑫ Transmitter holder x 1
- ⑬ Screws x 2



-1

Installation on wooden ceiling :

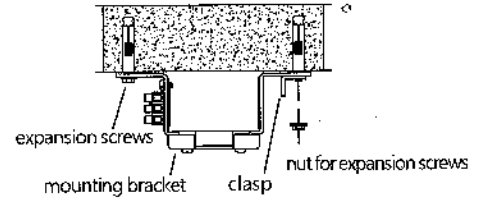
Fix mounting bracket on the ceiling with ceiling joist or suitable piece of timber. There is metal clasp inside the screws kit. Please fix it together with screws on the ceiling for hooking the safety wire.



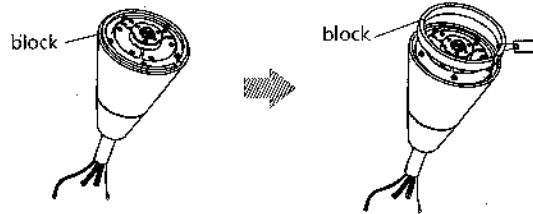
-2

Installation on concrete ceiling :

Please use 8mm power drill bit and drill about 40mm deep. Then fix expansion screws on the ceiling and remove the nuts, then install mounting bracket with nuts on the ceiling. There is metal clasp inside the screws kit. Please fix it together with screws on the ceiling for hooking the safety wire.



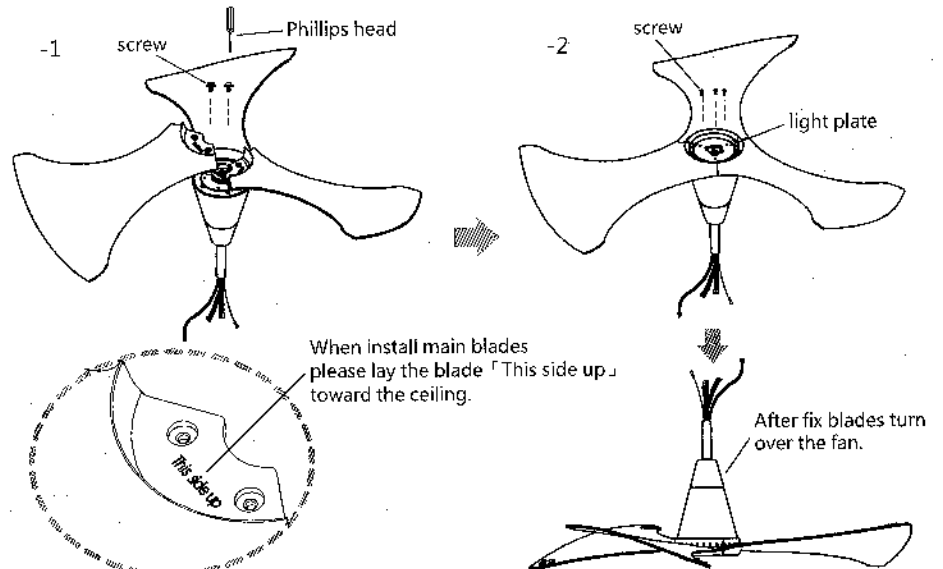
Before installation please remove block, otherwise it won't working normally.



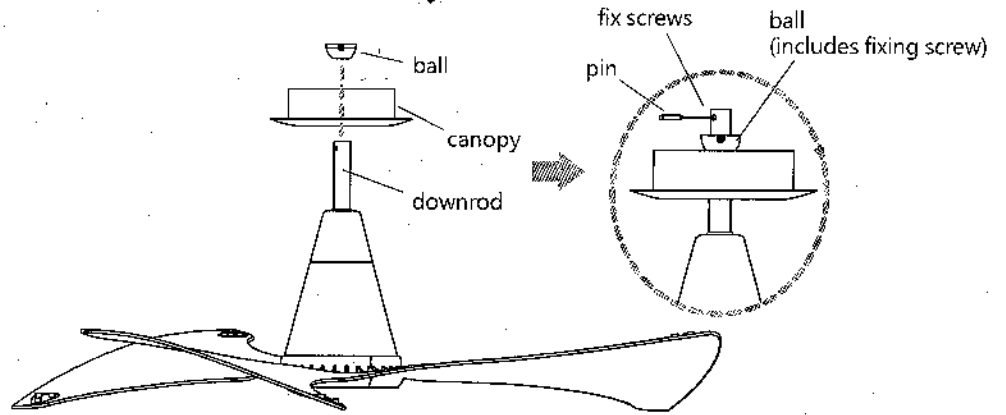
-1.

Turn over the fan housing, lay the main blades surface marked 「This side up」 toward the ceiling, align the blade screw hole with motor screw hole, then fix it with screws.

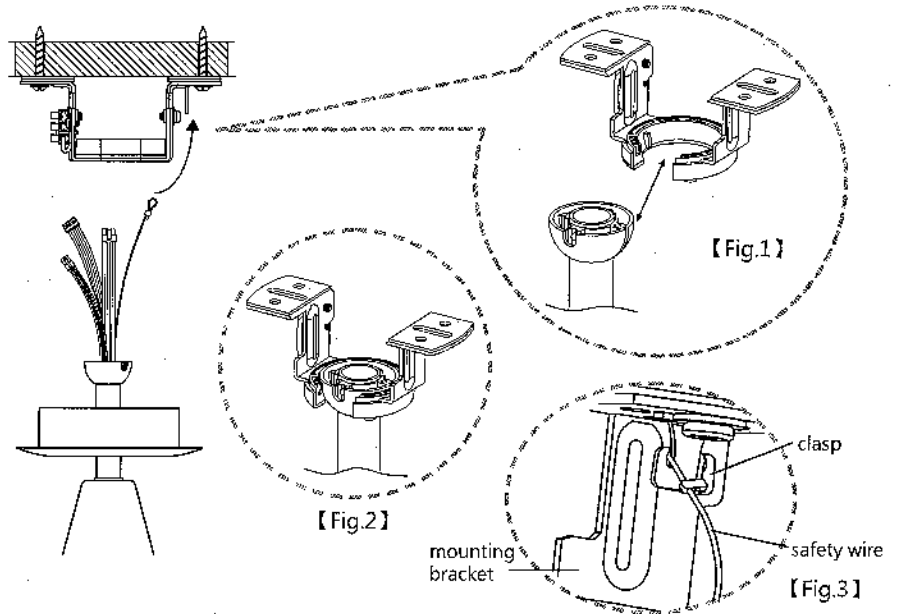
-2. Take light plate face the ceiling, align the light plate hole with screw hole and fix it. Plug in 3 pin light connectors then turn over the fan.

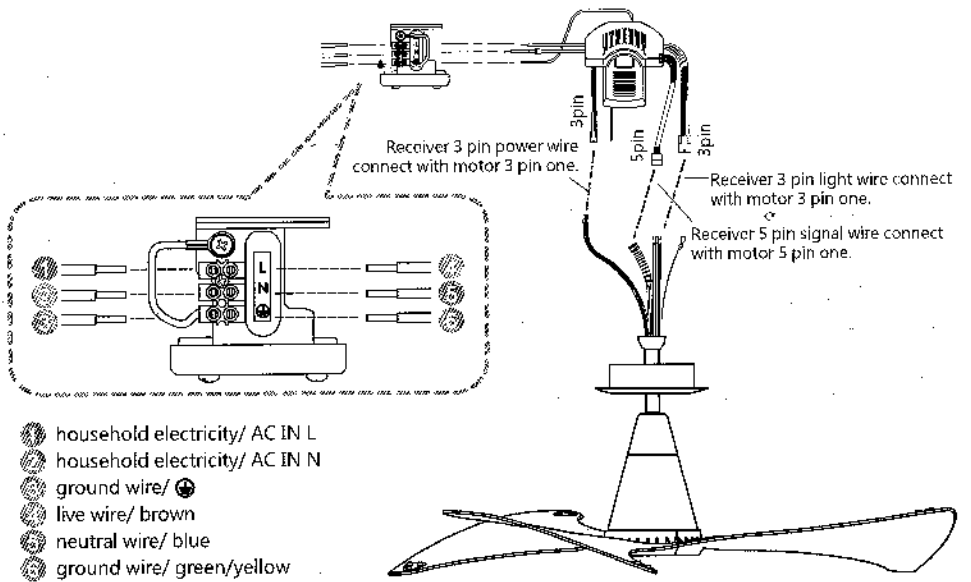


- Lead the ball and canopy through the downrod and insert the pin. Then tighten the screws to fix the ball.

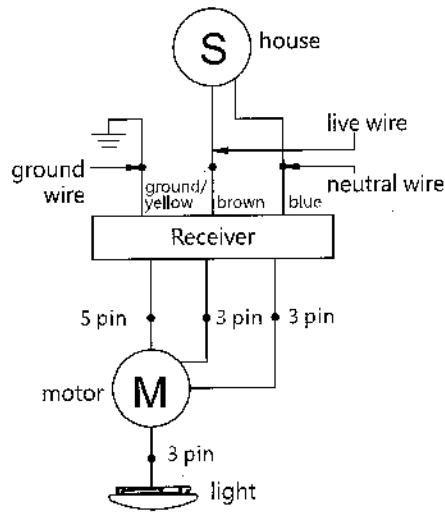


- When mounting the fan, ensure that all screws are tightened. Install downrod (ball part) into mounting bracket opening that already securely fastened to a structural ceiling member. The tab opposite of the mounting bracket opening should fit in slot on ball as shown in Fig.1 &2. Loop the safety wire across the clasp as shown in Fig.3.





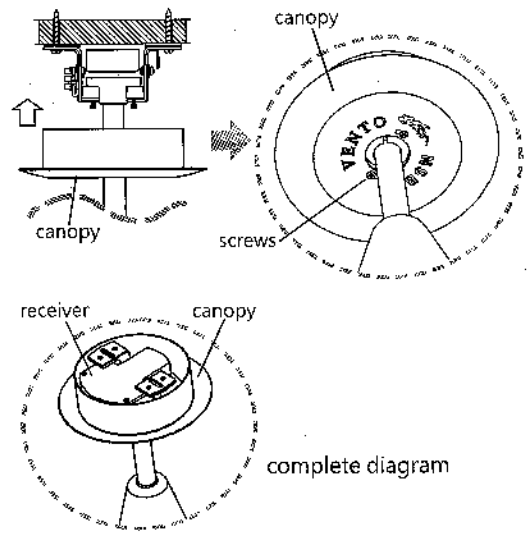
Wiring diagram.



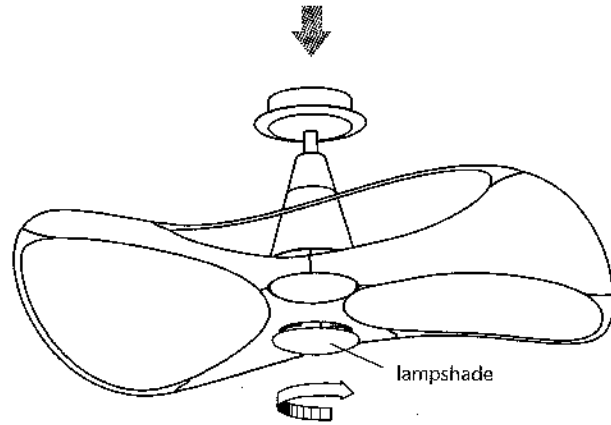
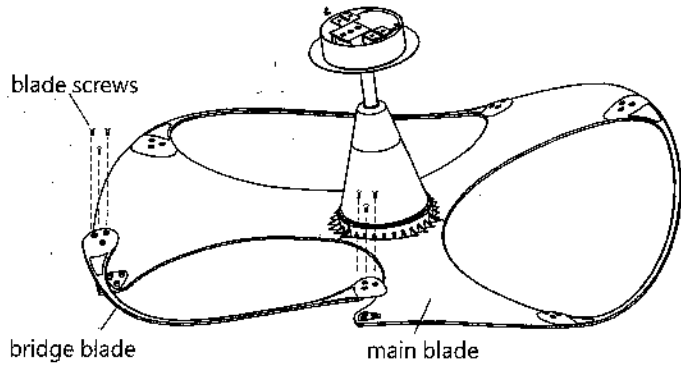
Insert the receiver into the mounting bracket. Loosen the screws from the mounting bracket, uphold the canopy to cover the mounting bracket, then let the mounted hole aim at the screws, then firm the screws.

Attention:

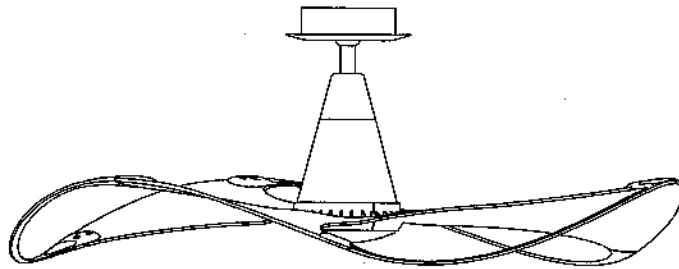
Make sure all wires are proper connected.



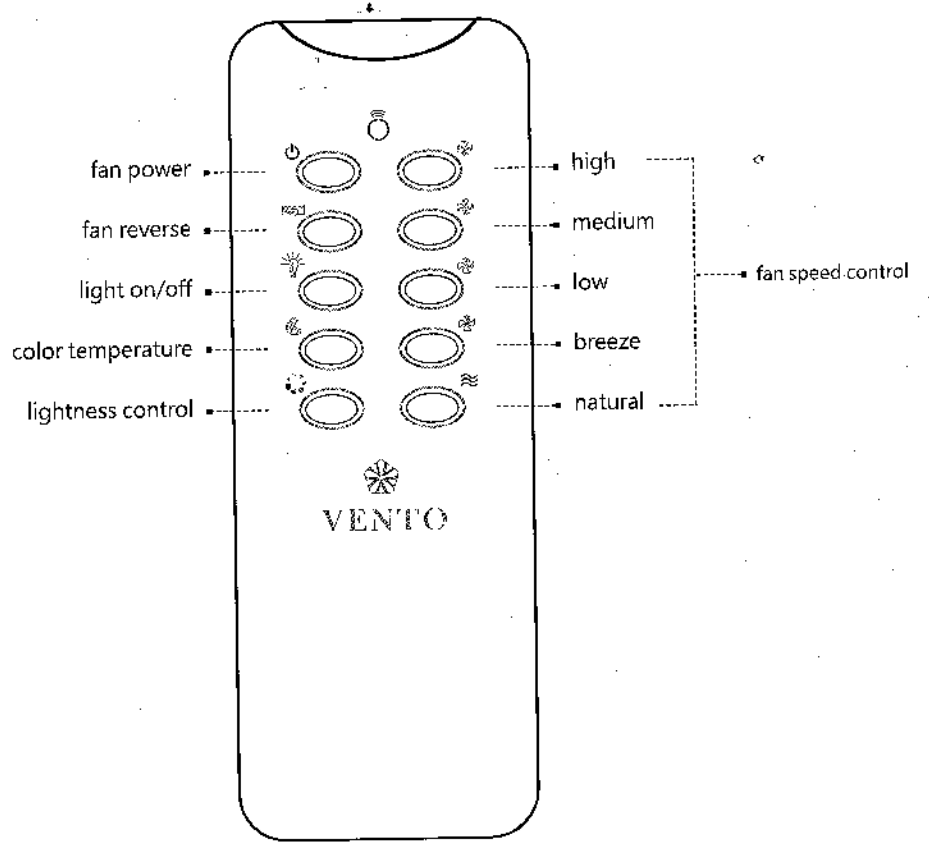
- Align the hole on the bridge blade and main blade screw hole, tighten it by blade screws, and finally engage the lampshade.



- Ceiling fan installation accomplished drawing.

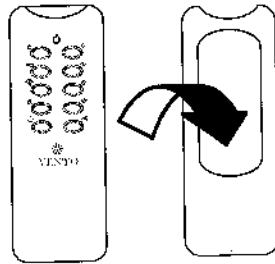


Remote control panel introduction

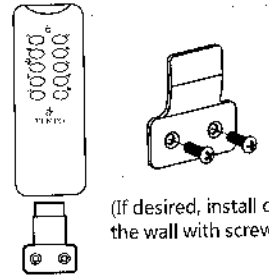


NOTE: The transmitter can be use with either wall bracket or the transmitter cover.

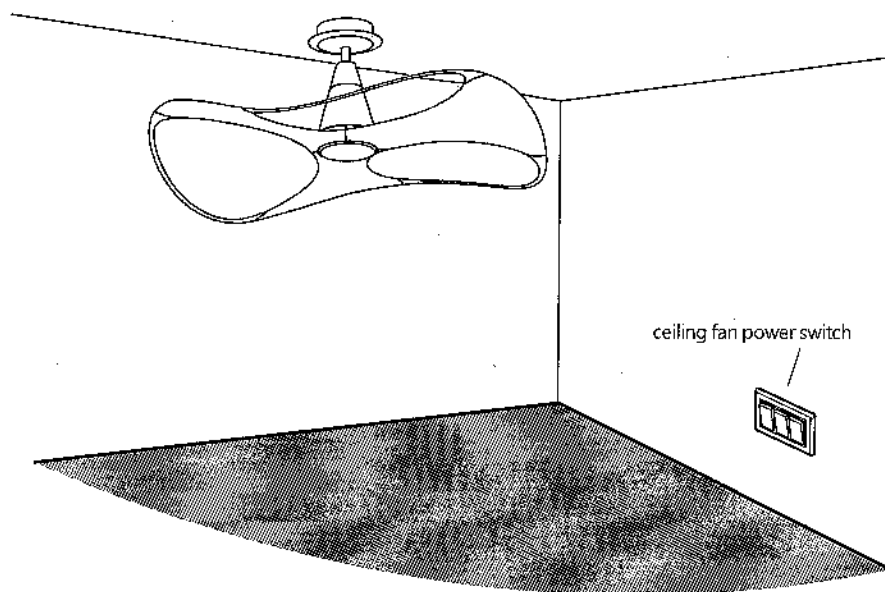
● Insert transmitter to the cover from this hole.



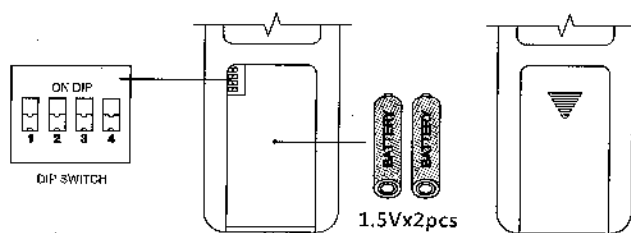
● Transmitter holder.



1. When you use it for the first time, before setting please turn off "fan power", and press "Natural" button as basic setting.
 2. Press "Natural" continuously, and turn on "fan power", you will hear a "beep" sound which means the setting is accomplished.
- ✗ If there is any poor signal condition, please repeat above steps or replace batteries.



3. If there are two ceiling fans installed in the same space, please adjust the dip switch on the transmitter to make each fan controlled with different setting. Please follow step 1 and 2 to do the setting after adjustment.



Problem A : Fan does not start

Remedies :

1. Check the transmitter and confirm whether there is any battery power in poor contact or coming off. Replace batteries if necessary.
2. Turn off power and check wiring connection.
3. Check the wiring and fuse to see whether there is any problem.

Problem B : Excessively noise

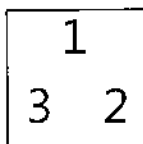
Remedies :

1. Check all the screws to see whether they are completely tightened.
2. Check mounting bracket and make sure it's properly installed.

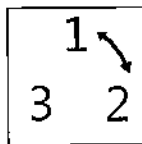
Problem C : Fan wobbles

Remedies :

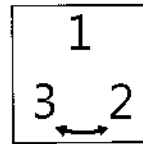
1. Check and make sure that all the blades are completely fixed or not.
2. Check light plate are tightened or not.
3. Check downrod screws are tightened or not.
4. If this situation still existed, please try to switch blade installation in sequence.



Numbered tape placement



Switch 1-2



Switch 2-3

※ Fuse replacement

1. Push both side of the fuse capsule towards each other and twist it to open the fuse capsule.
2. Remove the damaged 5A glass fuse from the capsule then replace a new 5A glass fuse.
3. To close the fuse capsule align the latch and groove the push in and twist to lock the fuse capsule.

Assemble chart

