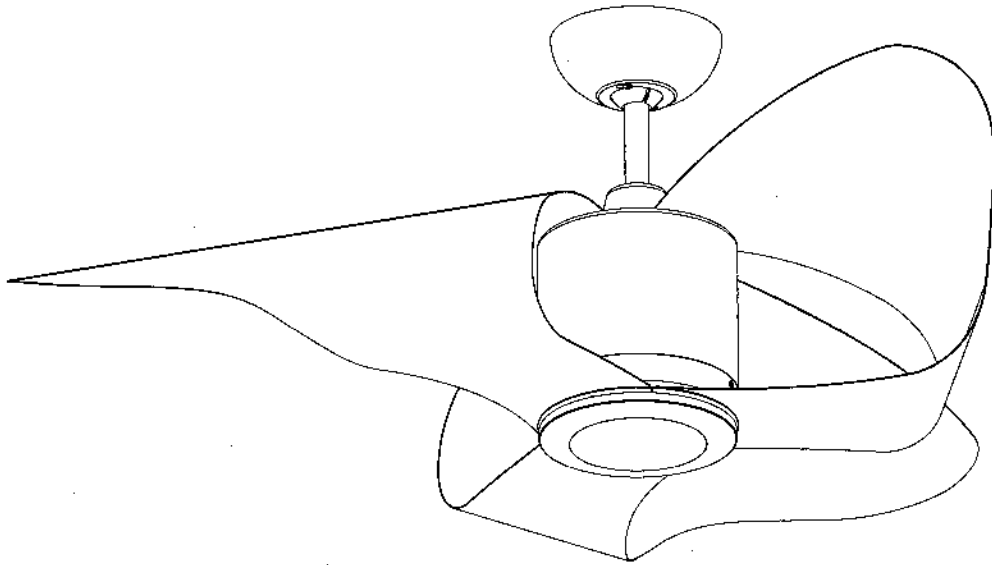


Owner's Manual



3LA44

Net weight

6.0 KGS.

13.2 LBS.

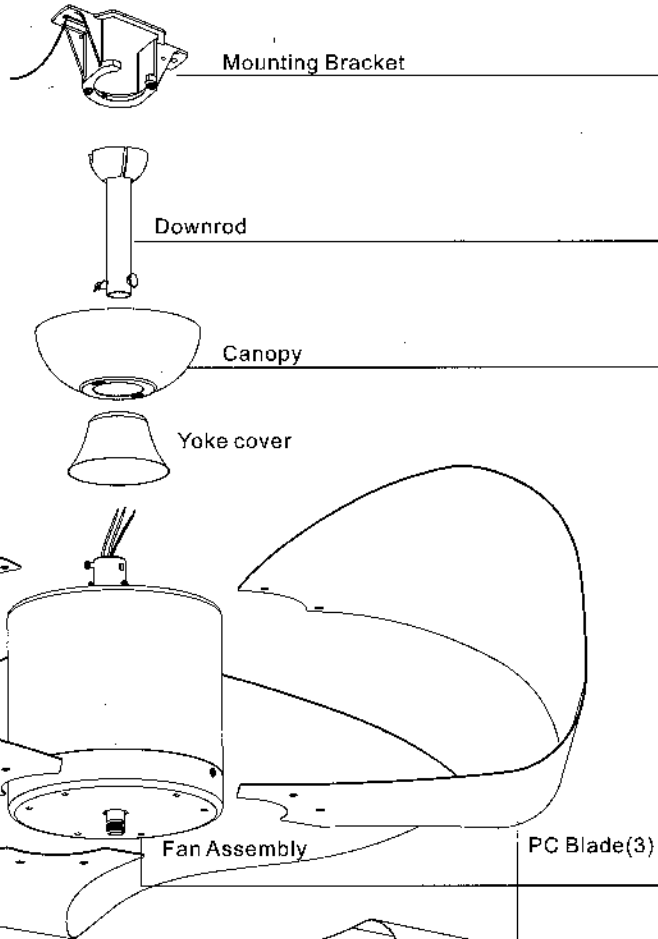
WARNING : Read and follow these instructions carefully and be mindful of all warnings shown throughout.

READ AND SAVE THESE INSTRUCTIONS

WARNING : TO REDUCE THE RISK OF FIRE, ELECTRICAL SHOCK, OR INJURY TO PERSONS, PLEASE OBSERVE THE FOLLOWING :

- 1]. To ensure the success of the installation, be sure to read the instructions and review the diagrams thoroughly before beginning.
- 2]. To avoid possible electric shock, be sure electricity is **TURNED OFF** at the main power box before wiring. All electrical connections must be made in accordance with local codes, ordinances and/or the National Electric Code. If you are unfamiliar with the methods of installing electrical wiring and products, secure the services of a qualified and licensed electrician as well as someone who can check the strength of the supportive ceiling members and make the proper installations and connections.
- 3]. Make sure that your installation site will not allow rotating fan blades to come in contact with any object. **BLADE SHOULD BE AT LEAST 2.3M FROM FLOOR WHEN FAN IS IN OPERATION.**
- 4]. If possible, mount ceiling fan on a ceiling joist - the joist must be able to support the motion and weight of the moving fan. If the fan will be mounted on a ceiling outlet box, a 4" x 2-1/8" deep **METAL** octagon box is required ; one CE listed as " suitable for fan support ". The box and its supporting members must not be able to twist or work loose. **DO NOT USE PLASTIC BOXES.** Installation on a concrete ceiling should be performed by qualified personnel.
- 5]. Blades should be attached after motor housing is hung and in place. Fan motor housing should be kept in carton until ready to be installed to protect its finish. If you are installing more than one ceiling fan, make sure that you do not mix fan blade sets.
- 6]. After making electrical connections, spliced conductors should be turned upward. The wires should be spread apart with the grounded conductor and the equipment-grounding conductor on one side and the "HOT" wires on the other side.
- 7]. After fan is completely installed, check to make sure that all connections are secure to prevent fan from falling and/or causing damage or injury.
- 8]. **This fan is suitable for slope ceiling.**
- 9]. **This fan is light kit adaptable.**
- 10]. **This fan is suitable for indoor location use.**

Unpack and inspect fan carefully to be certain all contents are included.



Hardware Bag

For Mounting Bracket:

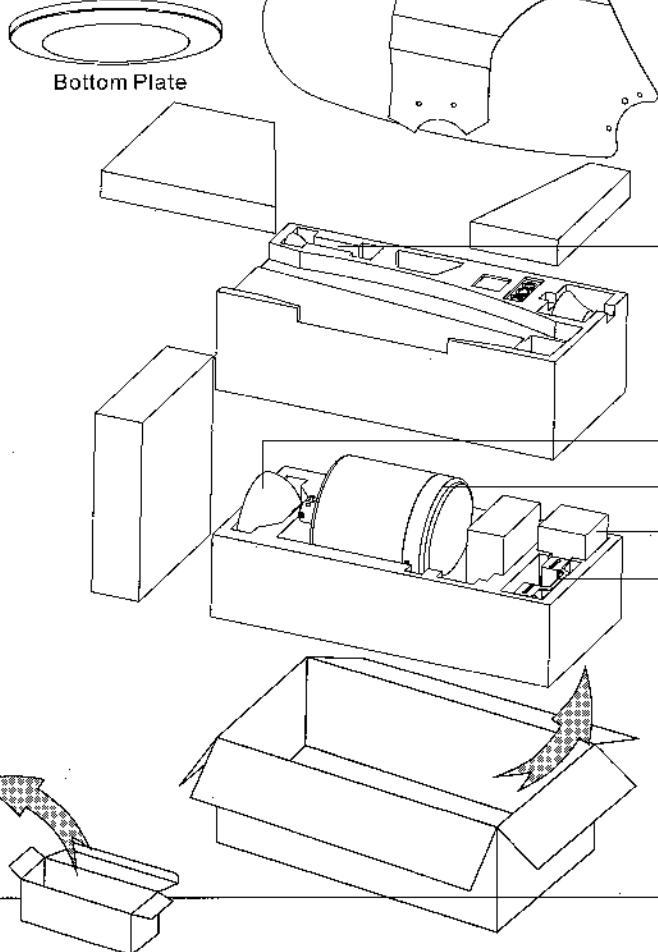
Flat Washer	x2		
Spring Washer	x2		
Machine Screw	x2		
Wood Screw	x2		
Tooth Washer	x2		

For Blade Installation:

Blade Screw x 13 (one spare screw included)

For Wire Connection:

Wire Nut x 4



Remote *Battery Included

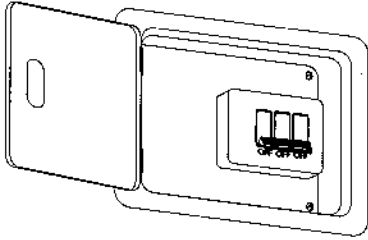
Hardware Bag

Wood Screw x2

WARNING: blades should be at least 7 feet from floor

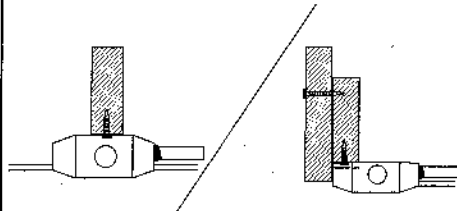
Note 1:

Turn off power at breaker box to avoid possible electrical shock.



Note 2:

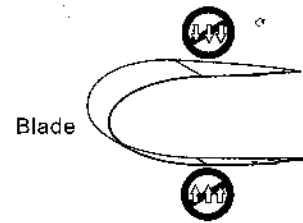
Use metal outlet box suitable for fan support. Outlet box must support 35 lbs min.



Note 3:

CAUTION:

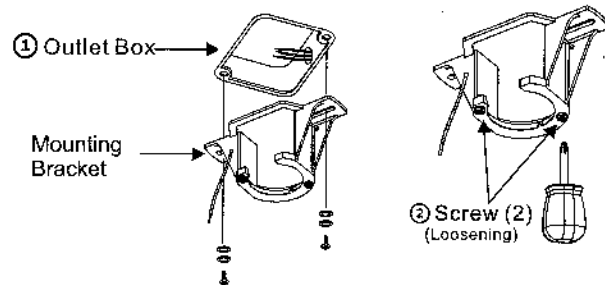
Do not fold blades with heavy pressure from two sides. It may cause blades to crack.



1. HANGING SYSTEM INSTALLATION

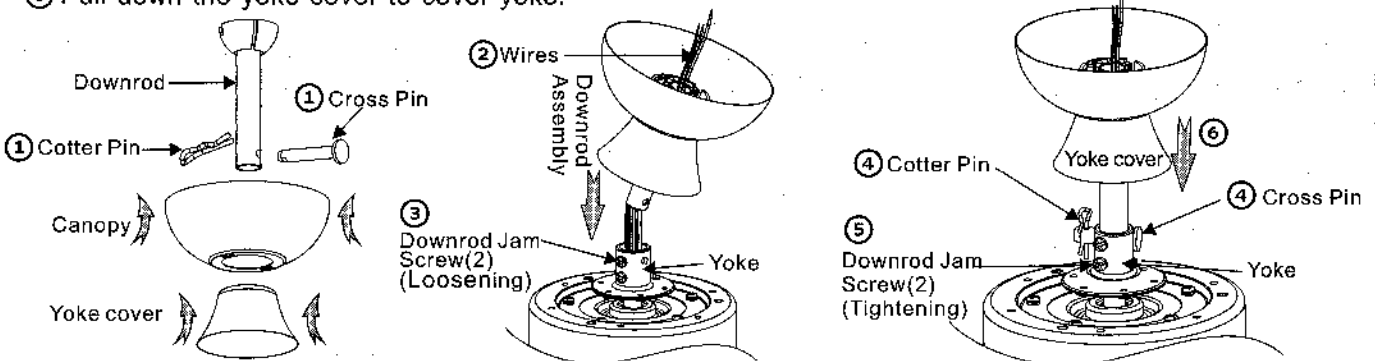
1A. Installing mounting bracket to ceiling outlet box

- 1 Install mounting bracket to outlet box in ceiling by using screws included with the outlet box and washers from the hardware bag.
- 2 Loosen the screws at Mounting Bracket.



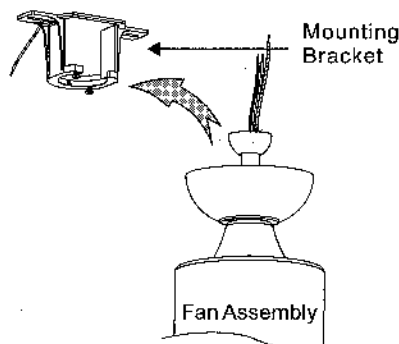
1B. Installing Downrod and Yoke

- 1 Remove cross pin and cotter pin from downrod.
- 2 Insert downrod through canopy and yoke cover, and feed motor lead wires through downrod.
- 3 Loosen 2 downrod jam screws at yoke. Insert downrod assembly into yoke.
- 4 Insert the cross pin through yoke & downrod and secure with cotter pin.
- 5 Tighten both downrod jam screws to further secure downrod.
- 6 Pull down the yoke cover to cover yoke.

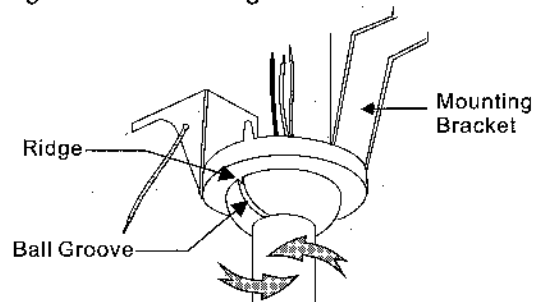


1C. Hanging the fan

Lift fan assembly onto mounting bracket.



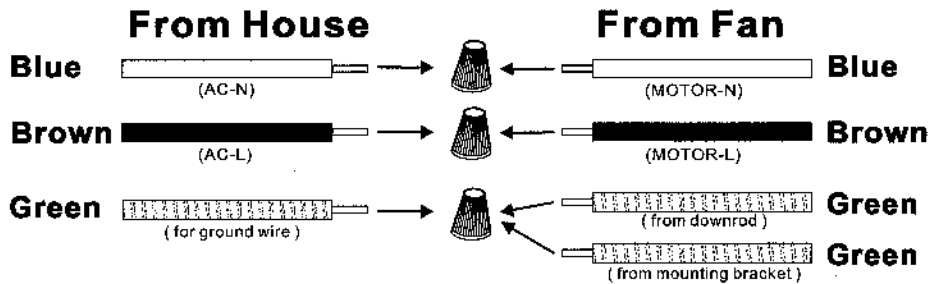
Rotate fan so that the groove on the ball engages the ridge in the mounting bracket.



2. WIRE CONNECTION

Making electrical wire connection

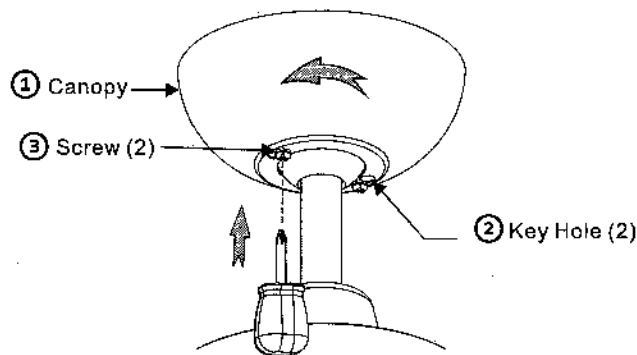
Follow diagram below and make sure that all exposed wires are secured inside wire nuts or terminal block.
Note : Wires from house may vary in color and may not include ground wire (green).



3. CANOPY INSTALLATION

Note: Two screws are pre-installed on mounting bracket for canopy installation.

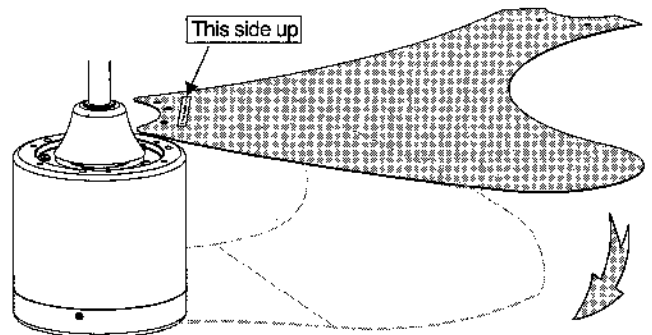
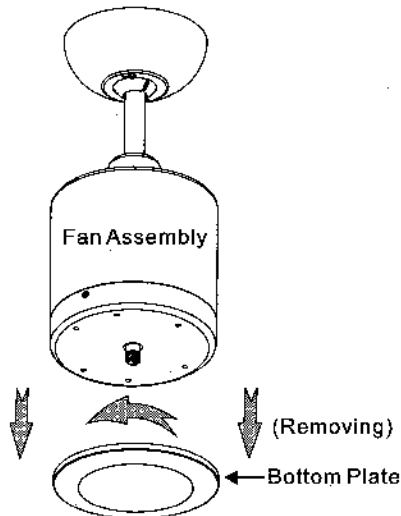
- ① Push up canopy until two screws pre-installed on mounting bracket are engaged with two key holes on canopy.
- ② Rotate canopy slightly until two pre-installed screw heads are engaged in the narrow end of key holes.
- ③ Tighten both screws.



4. BLADES INSTALLATION

NOTE 1:
Remove bottom plate by rotating counter-clockwise.

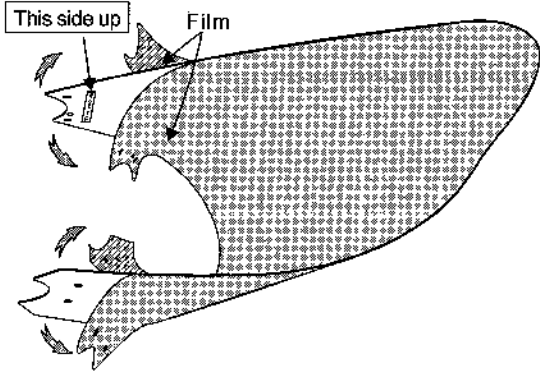
NOTE 2:
Please make sure blades are positioned with "This side up" label facing the ceiling.



4A.

There are two pieces of protection film on two sides of blade for protecting blade from scratches.

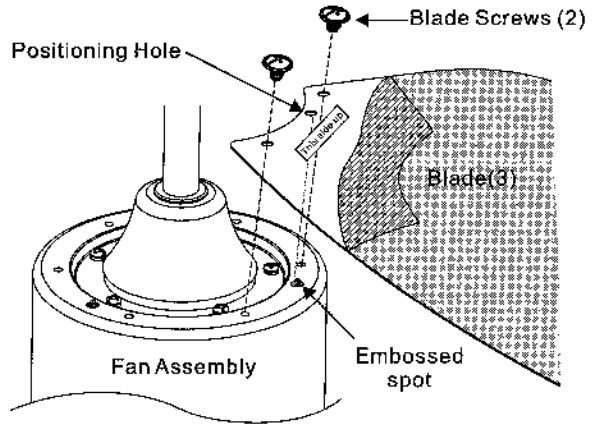
Tear off the films at the edge on both sides before installation.



4B.

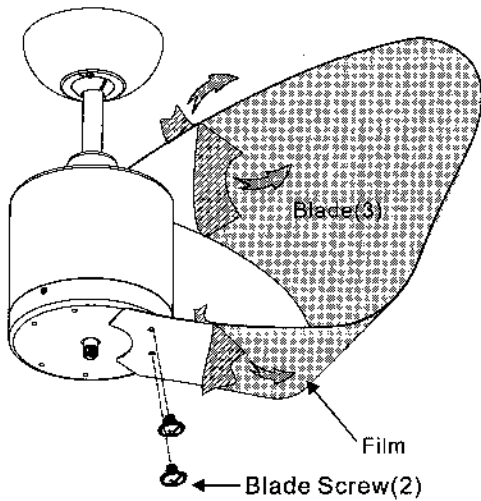
Aligning the "Positioning hole" on the blade to the embossed spot on the top housing, secure the blades with 2 screws from hardware bag. (* Repeat until all 3 blades are installed firmly.)

CAUTION: To avoid possible noise, do not fully tighten the first blade screw while positioning. Fasten both blade screws evenly after both screws are in place.



4C.

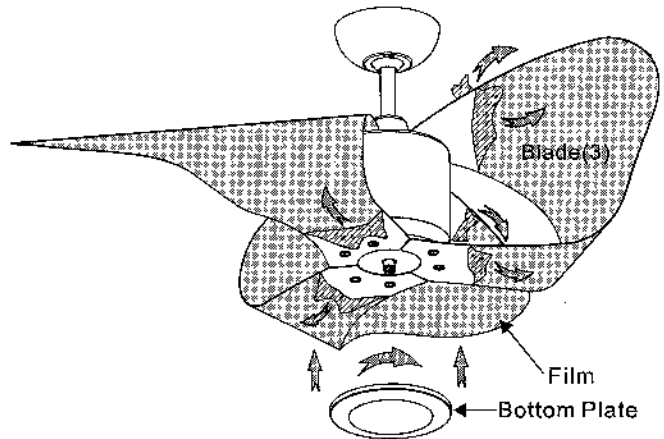
Bent the blade & secure 2 screws to the bottom of housing, repeat until all 3 blades are installed firmly.



4D.

Remove the protection film from both sides of all three blades.

Attach the bottom plate by threading it clockwise to shaft until fully tightened.



5.REMOTE INSTALLATION

5A. Initial Settings (Back side of Transmitter)

1. Code setting on TRANSMITTER.

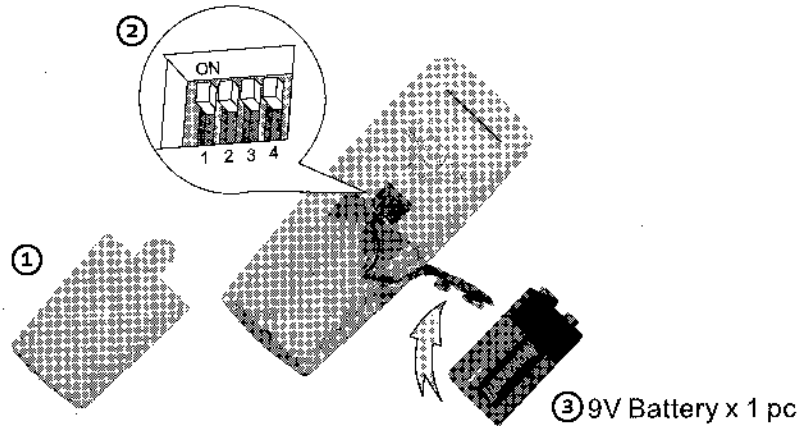
① Remove battery cover.

② FAN code setting:

There are 4 switches for 16 possible code combinations just in case your house has other fans installed with the same codes. You may change your code switches by using a small screwdriver or ball-point pen to slide each code switch firmly up or down.

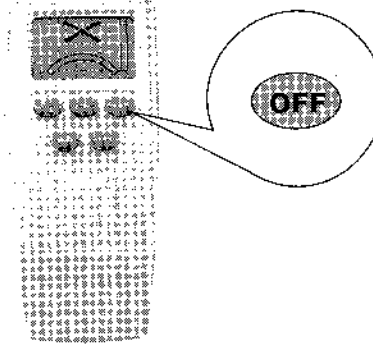
Note: IF ONLY ONE FAN TO BE INSTALLED IN THE HOUSE, YOU CAN SKIP THIS STEP.

③ Install 9V battery x 1 pc.

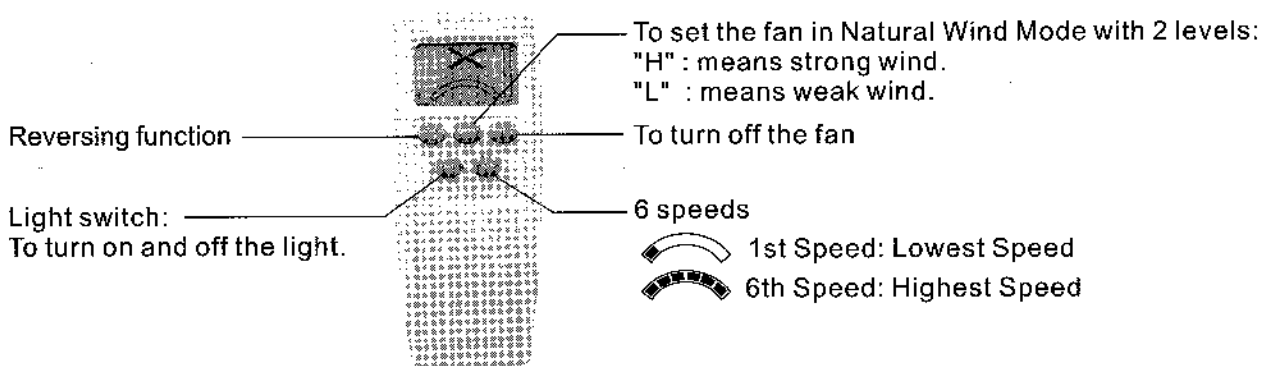


5B. SETTING before starting fan.

Press "OFF" button for 3~5 seconds till "BEE BEE" sound is heard.
It means the remote control has completed the setting.



5C. TRANSMITTER BUTTON



6. Turn on the power at breaker box - your fan is ready for operation.

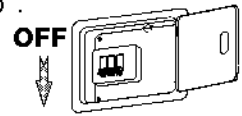
Special note: to install more than 1 fan in the same room.

If you are installing more than one fan in the same area, the remote setup can affect all fans in the area. To have precise control over each fan and light, each fan / remote must be set-up by itself. To avoid frequency interference, please do the following steps so the fans can be operated by its own remote in the same room.

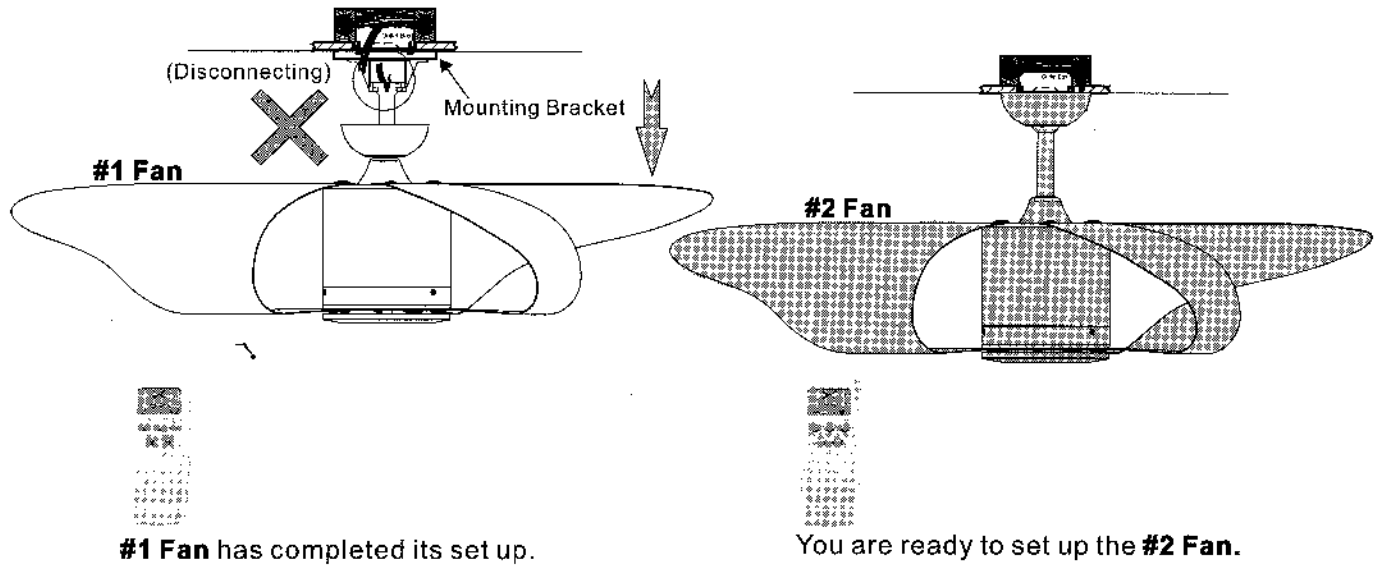
The following steps are based on the status of

- First DC fan (#1 fan) has completed its setting and is operating in good condition.
- Second DC fan (#2 fan) now is completing its assembling steps and ready for "set up".
- The main switch is "OFF".

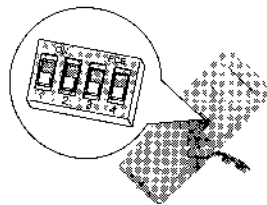
Make sure turn off power at breaker box for step 1.



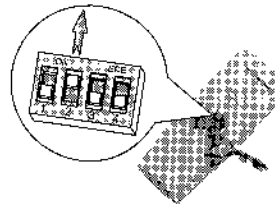
1. Lower the canopy of #1 Fan and disconnect the Brown wires. #1 Fan will remember its current setting.



2. Being sure to set a different Fan Code Setting, perform the Remote Setting steps 5A through 5C from page 6 on the #2 Fan.



#1 Fan



#2 Fan

5A. Initial Settings (Back side of Transmitter)

1. Code setting on TRANSMITTER.

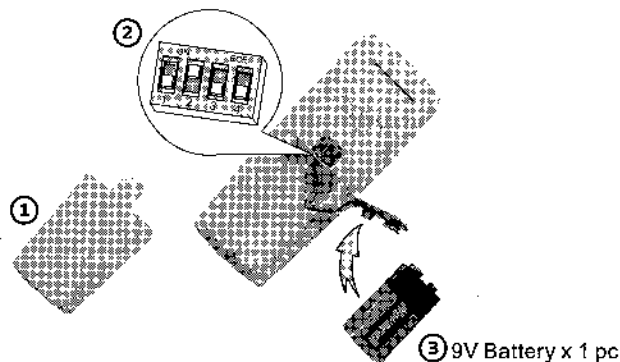
① Remove battery cover.

② FAN code setting:

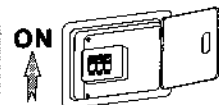
There are 4 switches for 16 possible code combinations just in case your house has other fans installed with the same codes. You may change your code switches by using a small screwdriver or ball point pen to slide each code switch firmly up or down.

Note: IF ONLY ONE FAN TO BE INSTALLED IN THE HOUSE, YOU CAN SKIP THIS STEP.

③ Install 9V battery x 1 pc.



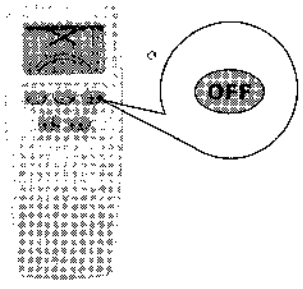
5B. Turn on power at breaker box for remote setting.



5C. SETTING before starting fan.

Note : Do not press any other button on the transmitter before setting as it will cause the procedure to fail.

Pressing the button "OFF" for over 5 seconds till the receiver makes Bi-Bi sound. This fan has completed frequency setting.

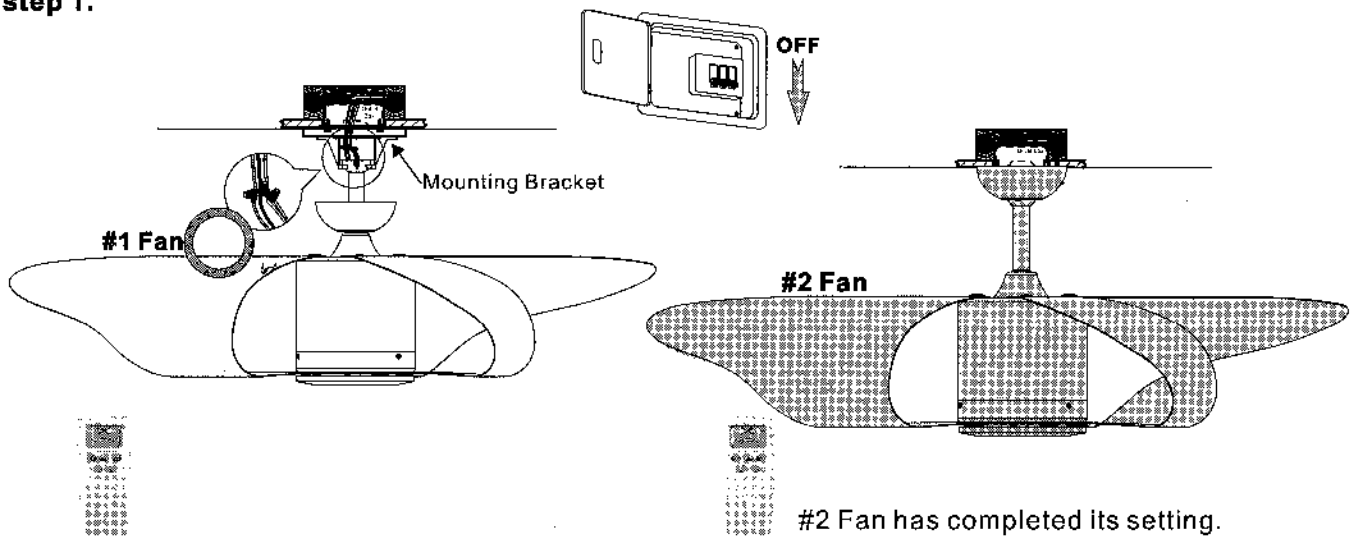


IMPORTANT:

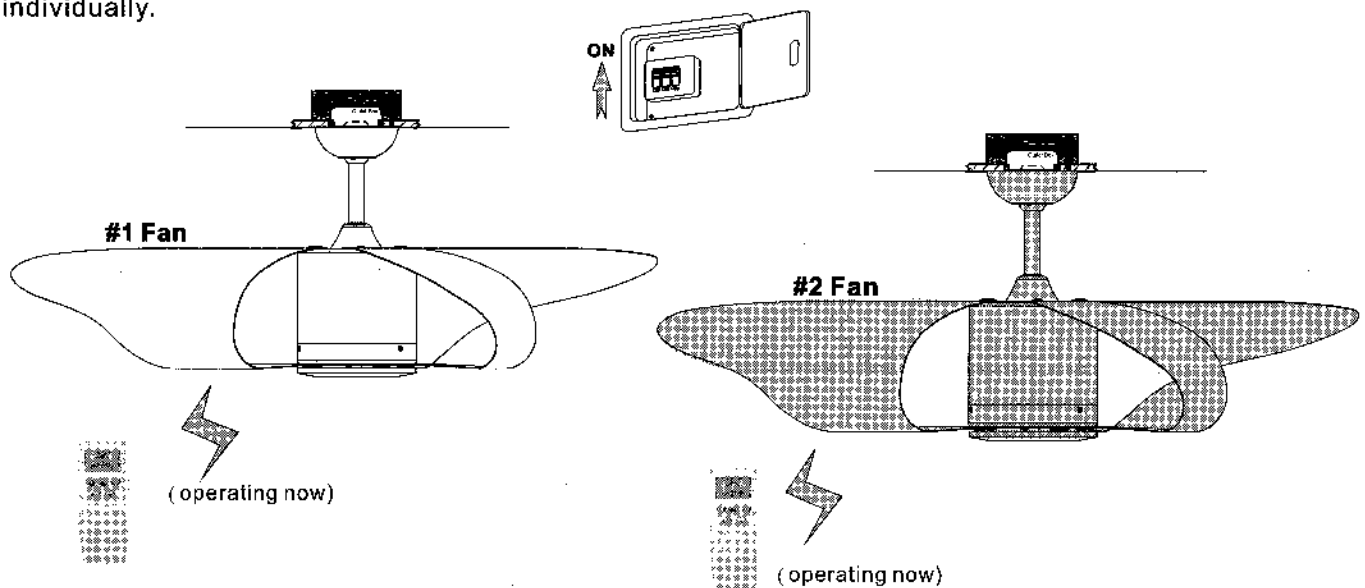
In event of no Bi-Bi sound (fan is failed for setting), do the following step for re-setting:

Switch off the main power and wait for 10 seconds, then switch on the power again and do the above setting again.

3. Turn off the power from main switch and connect the Brown wires to the #1 Fans that you removed from step 1.



4. Turn on the power from main switch and now each of these two fans are operated by its own remote individually.



NOTE: For more than two fans, the same rules apply. Make sure only one fan at a time is connected to power when doing the Remote Setting. Already completed fans should be disconnected until all fans have completed the Remote Setting process.