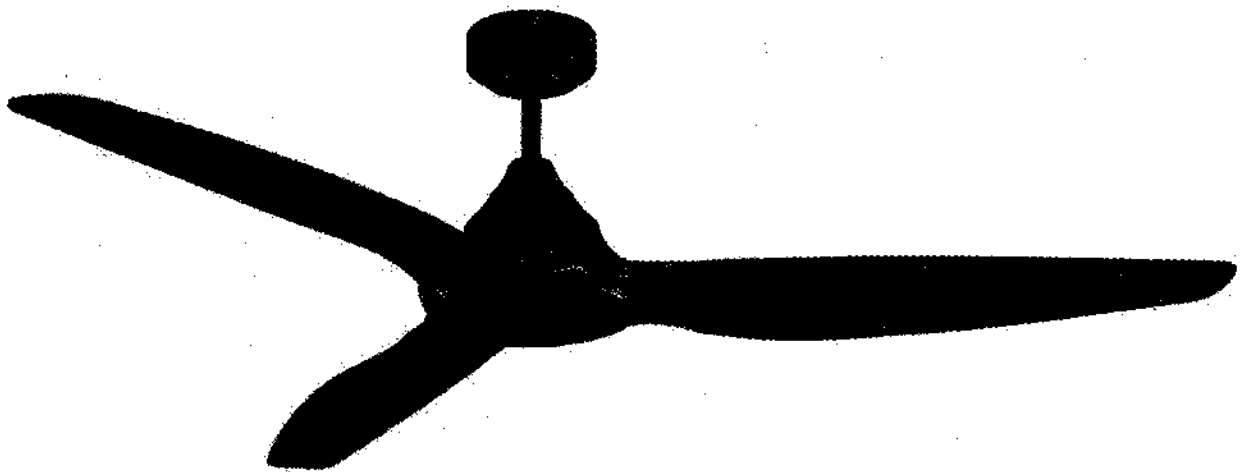


**MR  
.KEN**

# **CEILING FAN INSTRUCTION MANUAL**

**132CM/60"**



**EFFEN**

**INSTALLATION OPERATION MAINTENANCE**

## **CAUTION**

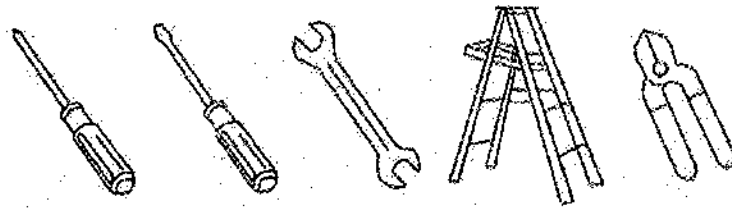
**READ INSTRUCTIONS CAREFULLY FOR SAFE  
INSTALLATION AND FAN OPERATION. IF UNSURE CONSULT  
A QUALIFIED ELECTRICIAN**

**SUITABLE FOR 220V~50Hz ELECTRICAL SUPPLY**

[www.mrken-fan.com](http://www.mrken-fan.com)

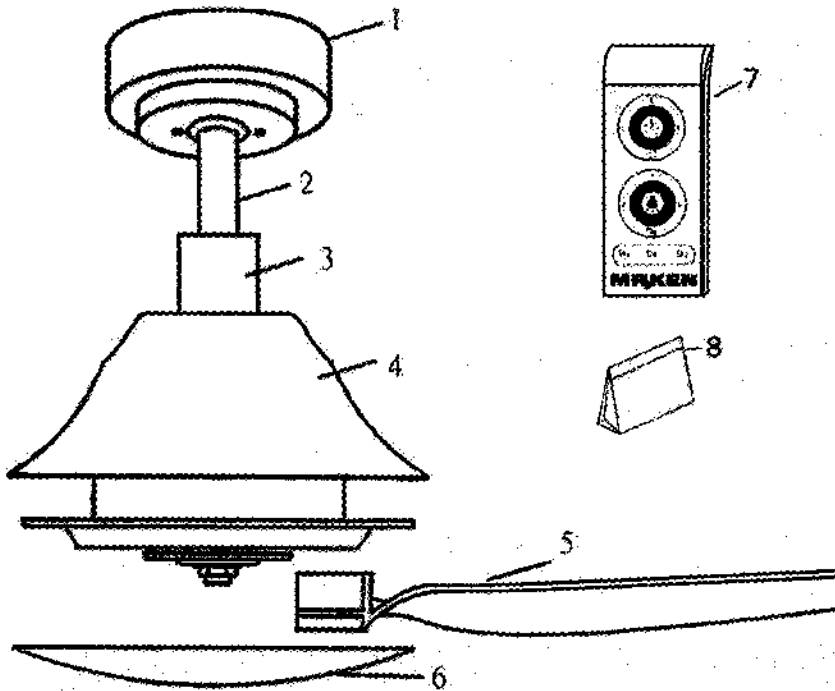
# 1. TOOLS AND MATERIALS REQUIRED

- Philips screwdriver
- Blade screwdriver
- 11 mm wrench
- Step ladder
- Wire cutters



# 2. PACKAGE CONTENTS

Unpack your fan and check the contents. You should have the following items:



1. Canopy & Mounting Bracket
2. Downrod
3. Yoke cover
4. Fan assembly
5. Blades
6. Bottom cover
7. Remote control
8. Screw kit

Screw Kit for EFFEN		
Wood screw	2 pcs	
Bracket screw	2 pcs	
Lock washer	6 pcs	
Blade screw	6 pcs	
Wire nut	3 pcs	
Balance kit	1 pcs	

*Before starting the assembly and installation of your fan please ensure the safety precautions have been read and understood.*

### **3. SAFETY RULES – READ AND SAVE THESE INSTRUCTIONS**

Please observe the following general safety precautions carefully before and during all phases of handling, installation, removal, operation and maintenance of this appliance.

1. Read all instructions and safety information. Review assembly diagrams provided before installing your new ceiling fan.
2. Make sure that all electrical connections comply with local codes, ordinances, or National electrical codes. Hire a qualified electrician or consult a do-it-yourself writing hand book if you are unfamiliar with installing electrical wiring.
3. This appliance is not intended for use by persons (including children) with reduced physical, sensory or mental capabilities, or lack of experience and knowledge, unless they have been given supervision or instruction concerning use of the appliance by a person responsible for their safety.
4. Young children should be supervised to ensure that they do not play with the appliance.
5. All electrical works must only be undertaken after disconnection of the power by removing fuses or turning off the circuit breaker, to ensure all pole isolation of the electrical supply.
6. Do not use outdoors where it could be exposed to water or moisture.
7. This manual is not intended to instruct or assist untrained or unqualified persons to install this ceiling fan.
8. It is the responsibility of qualified, licensed installer and user to apply common sense and care at all times during installation and operation.
9. After you install the fan, make sure that all connections are secure to prevent the fan from falling.
10. Instruction for supply connection: conductor of a fan identified as grounded conductor to be connected to a grounded conductor of power supply, conductor of a fan identified as ungrounded conductor to be connected to an ungrounded conductor of power supply, conductor of a fan identified for equipment grounding to be connected to an equipment-grounding conductor.
11. To reduce the risk of electric shock, do not use this fan with any solid-state speed control device or variable speed switch.
12. To reduce the risk of fire, electrical shock, or personal injury, do not bend the blade brackets when installing the brackets, balancing the blades, or cleaning the fan. Do not insert foreign objects between the rotating fan blades. Consult a qualified electrician if in doubt.
13. According to regulations and to provide a safe clearance from the floor, the lowest point on the fan blade must be at least 2.3 meters from the floor.
14. The chosen location for the fan must not allow the rotating blades to come into contact with any object.
15. Please check carefully and make sure that ceiling joists are strong enough and of adequate size to support the weight of the fan.
16. To reduce the risk of fire, electrical shock or personal injury, please sure that the fan mounting bracket is directly supported from the building structure.
17. The mounting bracket must be firmly screwed to a load bearing building structure e.g. a concrete ceiling, steel structure, or a timber frame. If additional timber frames are to be added, those must be securely nailed or screwed between the beams.
18. Attach fan blades after the fan motor housing is installed and properly secured. Keep the motor and blades in the original package until it is ready to be installed.
19. Check and confirm, after the fan is completely installed, that all connections are proper and secure to prevent the fan from falling or causing property damages or personal injury.
20. Both the fan with light kit (accessory) and the hanging bracket must be earthed.
21. Make sure electricity is turned off at the main power box before commencing work. Turn off the power by removing fuse or turning off circuit breaker before installing the fan and replacing lamps.

## 4. JUNCTION BOX MOUNTING OPTIONS

Your new ceiling fan will require a grounded electrical supply line of 220-240 volts AC, 50Hz circuit. The outlet box must be securely anchored and capable of withstanding a load of at least 50 lbs (22.7 kgs).

Figures 1,2 and 3 are examples of different ways to mount the outlet box.

**Note:** You may need a longer down rod to maintain proper blade clearance when installing on a steep, sloped ceiling. (Fig. 3)

To hang your fan where there is an existing fixture but no ceiling joist, you may need an installation hanger bar as shown in Fig. 4.

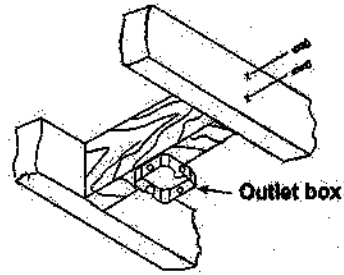


Figure 1

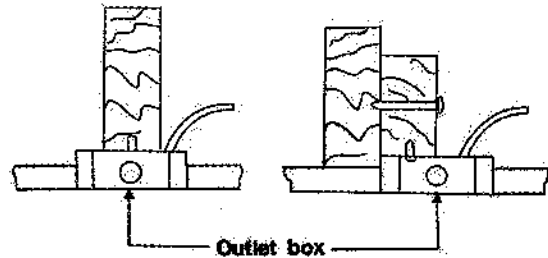


Figure 2

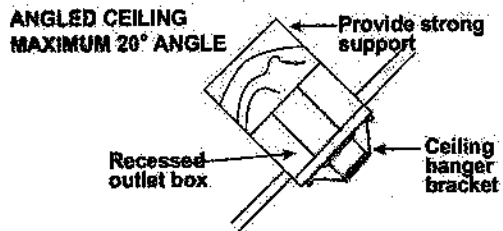


Figure 3

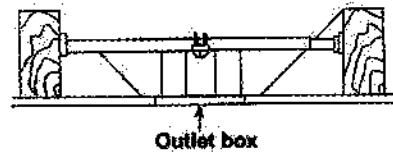


Figure 4

## 5. Yoke & Downrod Assembly

Insert yoke cover and canopy through downrod

then insert lead wire through downrod.

Insert the downrod assembly into yoke.

Insert the cross pin through yoke and downrod and secure with cotter pin.

Tighten both set screws from yoke to further secure downrod.

Pull down the yoke cover through downrod and put in place.

Insert canopy through downrod. (Fig. 6)

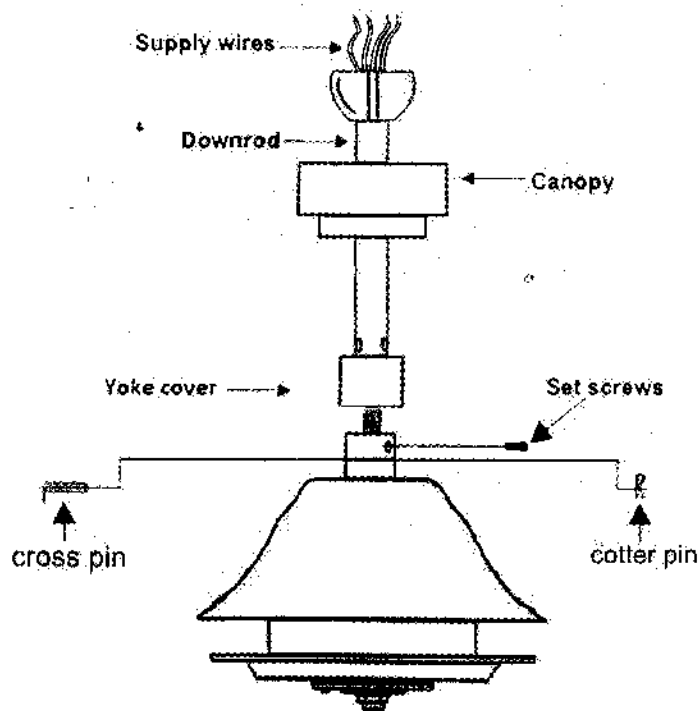


Figure 6

## 6. Hanging the Fan

Lift fan assembly onto mounting bracket.

Carefully lift fan assembly onto mounting bracket.

Rotate fan so that the groove on the ball engages the ridge in the mounting bracket.

(Fig. 7)

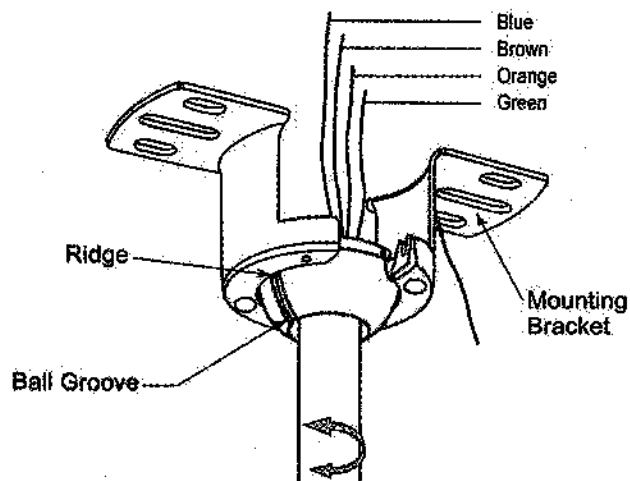


Figure 7

## 7. Canopy Installation

Push up the canopy until the two screws on mounting bracket are engaged with key holes in canopy.

Rotate the canopy slightly until the two screw heads are in the small end of key holes.

Tighten both screws. (Fig. 8)

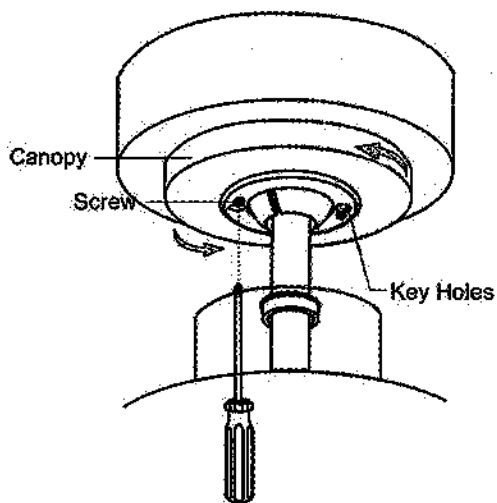


Figure 8

## 8. ATTACHING THE FAN BLADES AND BOTTOM COVER

Step 1 Attach the blade to the blade bracket using the screws and lock washers. Start screw into bracket. Repeat for the two remaining screws. (Fig. 10)

Step 2 Tighten each screw. Make sure the blade is straight.

Step 3 Fasten blade assembly to motor using the screws supplied.

Step 4 Finally install the bottom cover to the shaft by rotating it clockwise. (Fig. 11)

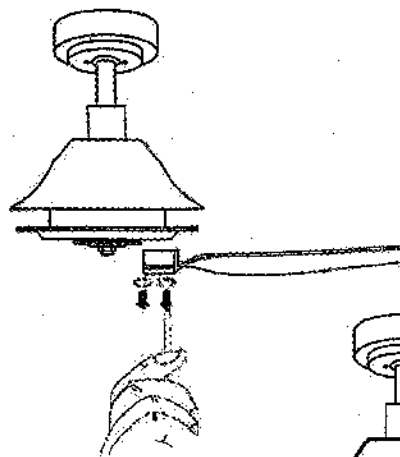


Figure 10

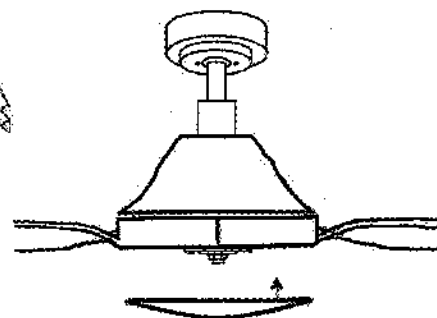


Figure 11

◆ **For Remote Controller: (AC220~240V / 50Hz)**

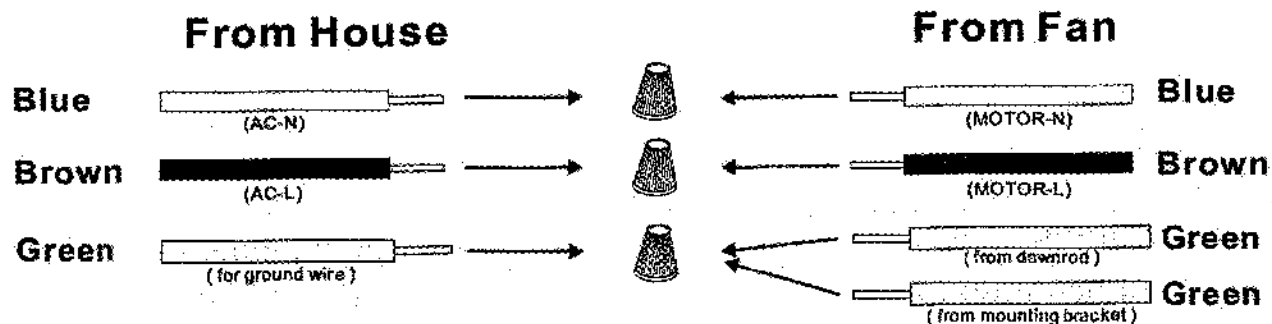
◎ DC Motor models included Remote Receiver inside:

### Make wire connections (For DC motor with Remote Controller only)

Follow diagram below and make sure that all exposed wires are secured inside wire nuts.

Note : Wires from house may vary in color and may not include ground wire ( green ).

After wiring is completed, gently push wires into junction box with nuts pointing upward.



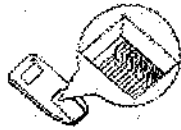
Secure with twist - lock wire nuts (Included).

© AC Motor models :

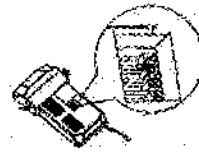
**Make wire connections  
For use with remote controller**

**1. Prepare Remote Control**

Transmitter  
Code Switches



Receiver  
Code Switches



This unit has 16 different code combinations.

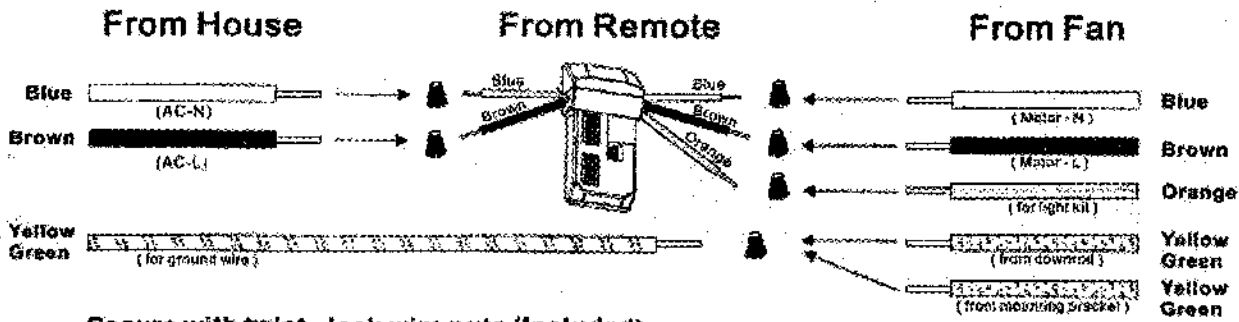
**1. Setting the code on the TRANSMITTER**

- A. Remove battery cover.
- B. Slide code switches to your choice of ON or OFF position. Use a small screwdriver or ball point pen to slide each switch firmly up or down.
- C. Install 9V DC battery ( not included ).
- D. Install battery cover on transmitter.

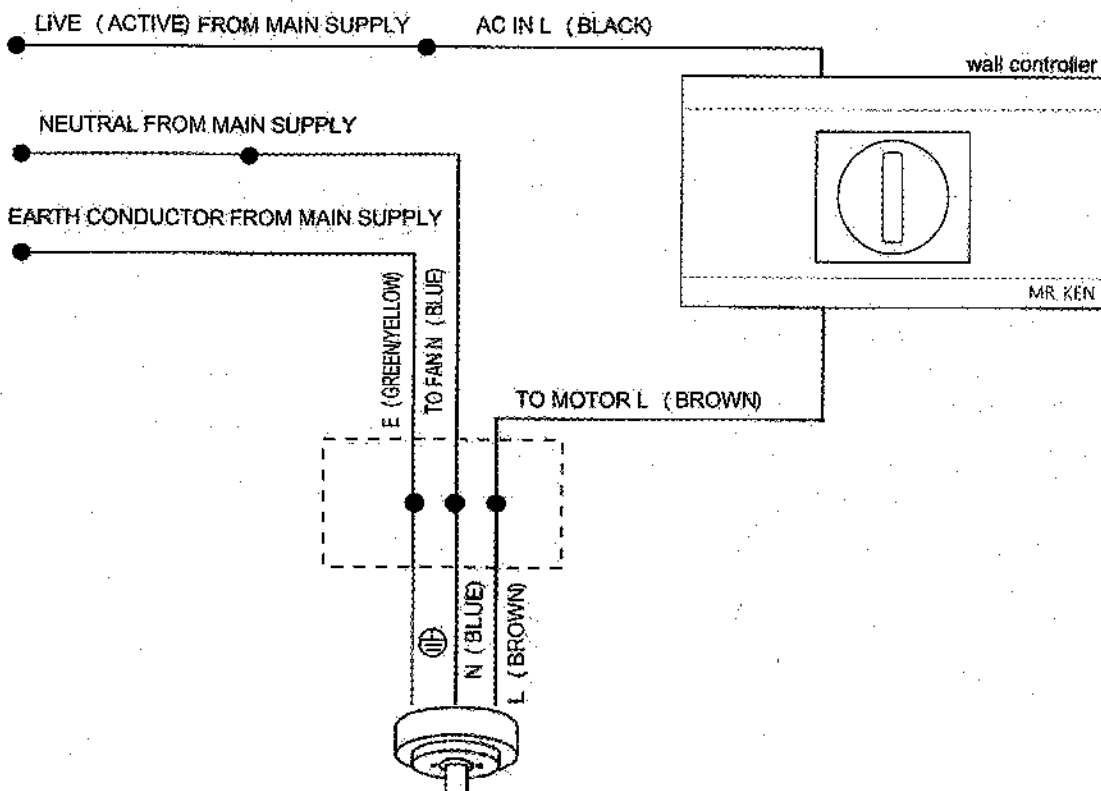
2. Slide code switches on the receiver to be the SAME POSITIONS as set on your transmitter.

**2. Make wire connection - ( for 220~240VAC/50Hz )**

Follow diagram below and make sure that all exposed wires are secured inside wire nuts or terminal block.  
Note : Wires from house may vary in color and may not include ground wire ( green ). After wiring is completed, gently push wires into junction box with wire nuts pointing upward.



**For 3 Speed Wall Controller WC350 Wire Connection**



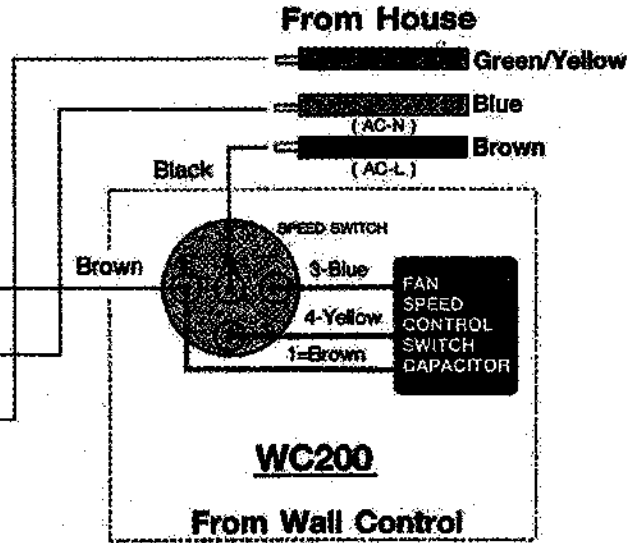
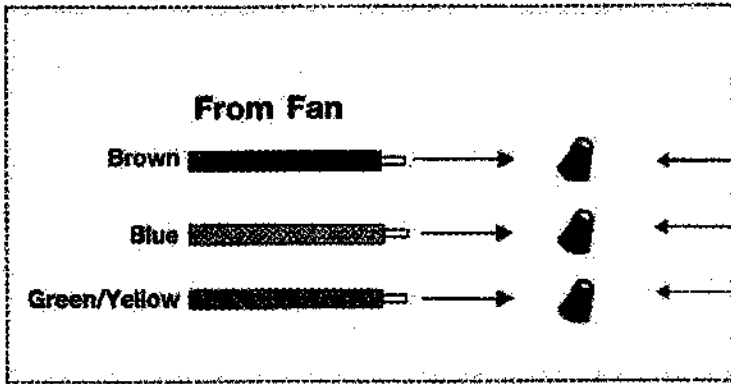


# Electronic Wiring Connections

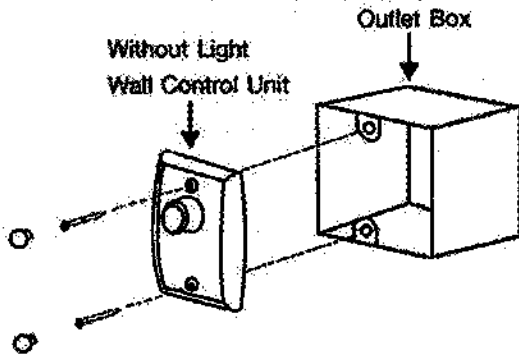
◆ For Wall Controller/Speed Regulator: (AC220-240V / 50Hz)

## Make wire connection

### Without Light



Secure with twist - lock wire nuts. ( Included )



### With Light

