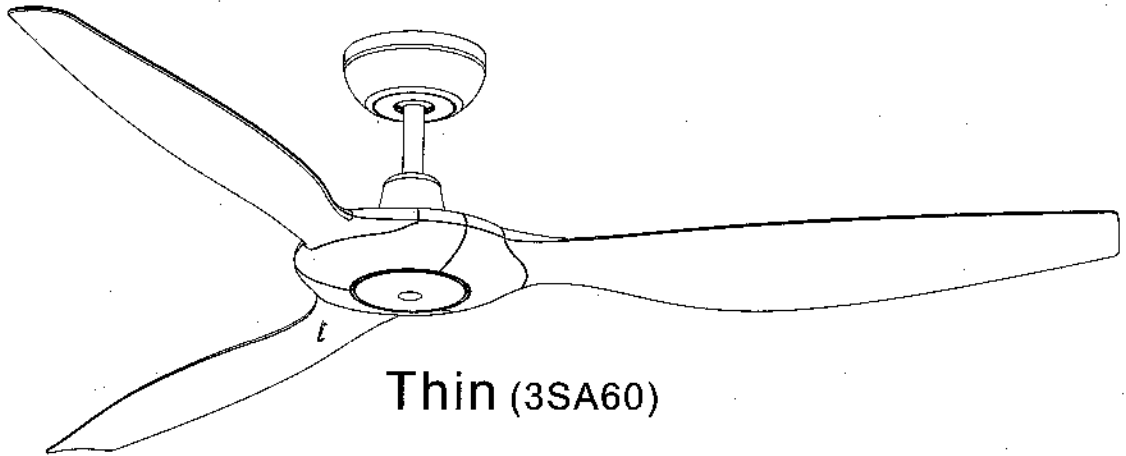


# Owners Manual



**MODEL: CRYSTAL**

Net weight

8.7 KGS.
19.0 LBS.

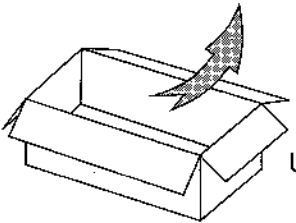
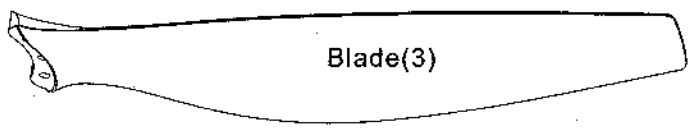
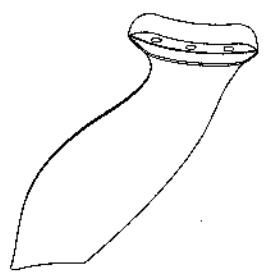
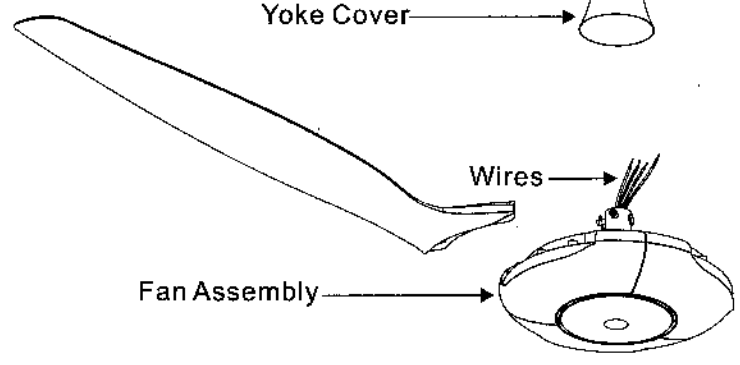
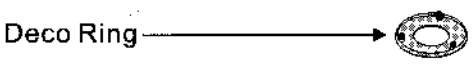
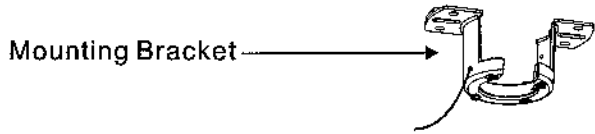
**WARNING :** Read and follow these instructions carefully and be mindful of all warnings shown throughout.

# READ AND SAVE THESE INSTRUCTIONS

## **WARNING : TO REDUCE THE RISK OF FIRE, ELECTRICAL SHOCK, OR INJURY TO PERSONS, PLEASE OBSERVE THE FOLLOWING :**

- 1]. To ensure the success of the installation, be sure to read the instructions and review the diagrams thoroughly before beginning.
- 2]. **To avoid possible electric shock, be sure electricity is turned off at the main power box before wiring.**  
All electrical connections must be made in accordance with local codes, ordinances and/or the National Electric Code. If you are unfamiliar with the methods of installing electrical wiring and products, require the services of a qualified and licensed electrician as well as someone who can check the strength of the supportive ceiling members and make the proper installations and connections.
- 3]. Make sure that your installation site will not allow rotating fan blades to come in contact with any object. Blades should be at least 7 feet from floor when fan is in operation.
- 4]. If possible, mount ceiling fan on a ceiling joist - the joist must be able to support the motion and weight of the moving fan. If the fan will be mounted on a ceiling outlet box, a 4" x 2-1/8" deep METAL octagon box is required ; one UL listed as " suitable for fan support ". The box and its supporting members must not be able to twist or work loose. **DO NOT USE PLASTIC BOXES.** Installation on a concrete ceiling should be performed by qualified personnel.
- 5]. Blades should be attached after motor housing is hung and in place. Fan motor housing should be kept in carton until ready to be installed to protect its finish. If you are installing more than one ceiling fan, make sure that you do not mix fan blade sets.
- 6]. After making electrical connections, spliced conductors should be turned upward and pushed carefully up into outlet box. The wires should be spread apart with the grounded conductor and the equipment - grounding conductor on one side of the outlet box and the " HOT " wires on the other side.
- 7]. Electrical diagrams are for reference only. Light kits that are not packed with the fan must be UL/ETL listed and should be installed per the light kit's installation instructions.
- 8]. After fan is completely installed, check to make sure that all connections are secure to prevent fan from falling and/or causing damage or injury.
- 9]. The fan can be made to work immediately after installation. The bearings are adequately charged with grease, so that under normal conditions, further lubrication should not be necessary.
- 10]. The fan must be turned off and stopped before reversing fan direction.
- 11]. **The fan is downrod mount only.**
- 12]. **This fan is reversible.**
- 13]. **This fan is suitable for indoor location use.**







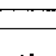
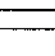
# Unpack and inspect fan carefully to be certain all contents are included.



Unit pack / all in one box


## Hardware Bag

### For Mounting Plate:


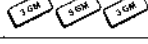
Flat Washer	x2		
Spring Washer	x2		
Machine Screw	x2		
Wood Screw	x2		

### For Blade Installation:

Blade Screw x 10 (one spare screw included)



### For Blade Balance :

Balanced slide x 1   
 Weight block (3G x 3) 

### For Wire Connection:

Wire Nut x 6 

## Remote Control (12V Battery Included)



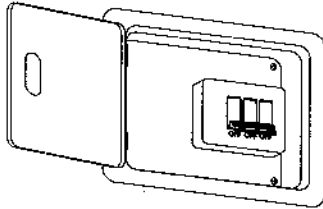
### Hardware Bag

Wood Screw x 2 

# WARNING: blades should be at least 7 feet from floor

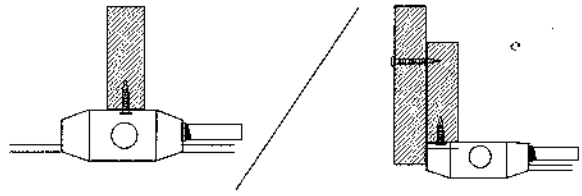
## Note 1:

Turn off power at breaker box to avoid possible electrical shock.



## Note 2:

Use metal outlet box suitable for fan support.  
Outlet box must support 35 lbs min.

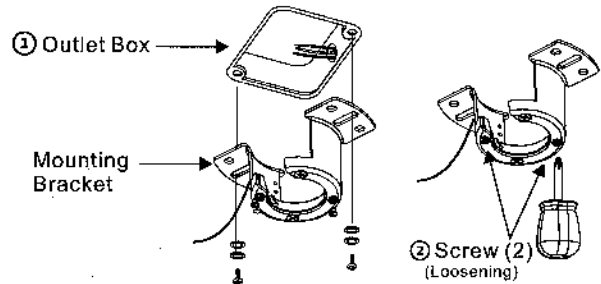


## 1. HANGING SYSTEM INSTALLATION

### 1A. Installing mounting bracket to ceiling outlet box

① Install mounting bracket to outlet box in ceiling by using screws included with the outlet box and washers from the hardware bag.

② Loosen the screws at mounting bracket.



### 1B. Installing Downrod and Yoke

① Remove cross pin and cotter pin from downrod.

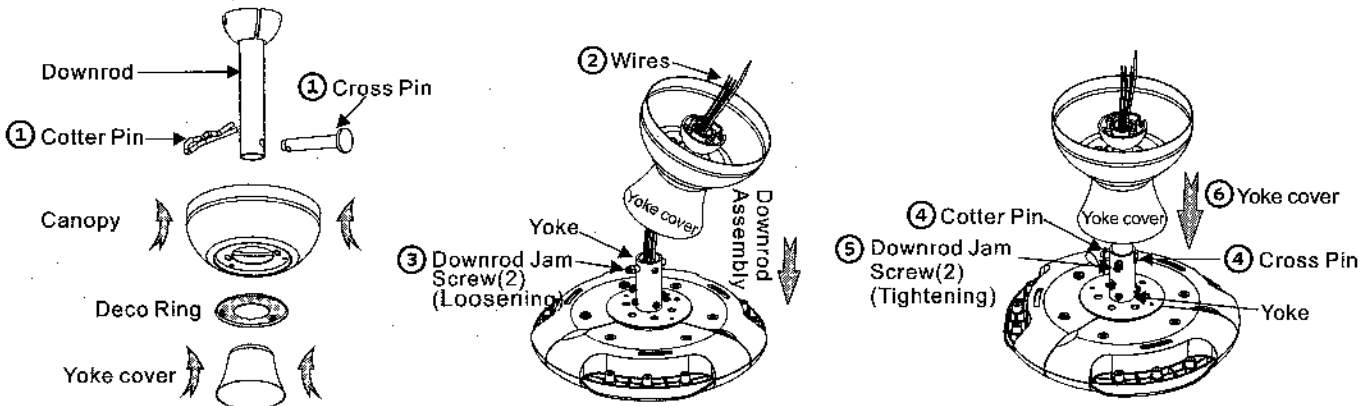
② Insert downrod through Canopy, Deco Ring and yoke cover and feed motor lead wires through downrod.

③ Loosen 2 downrod jam screws at yoke. Insert downrod assembly into yoke.

④ Insert the cross pin through yoke & downrod and secure with cotter pin.

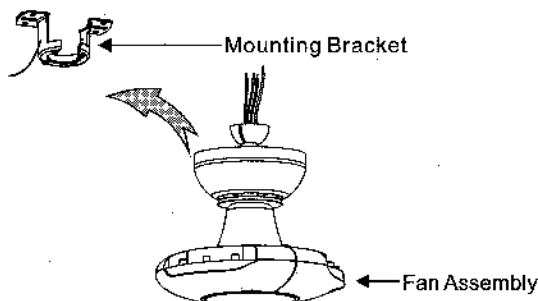
⑤ Tighten both downrod jam screws to further secure downrod.

⑥ Pull down the yoke cover to cover yoke.

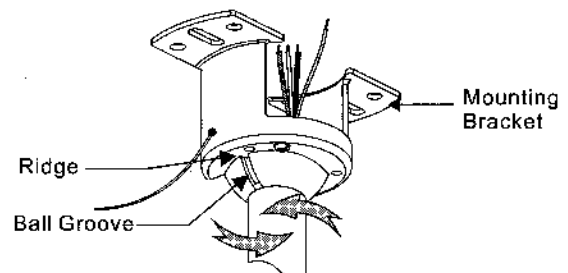


### 1C. Hanging the fan

① Lift fan assembly onto mounting bracket.



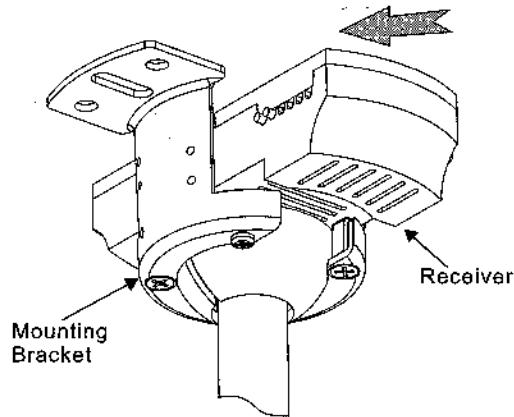
② Rotate fan so that the groove on the ball engages the ridge in the mounting bracket.



## 2. WIRE CONNECTION

### 2A. Insert receiver into mounting bracket

**NOTE:** Do not squeeze all the wires while inserting the receiver into the mounting bracket.

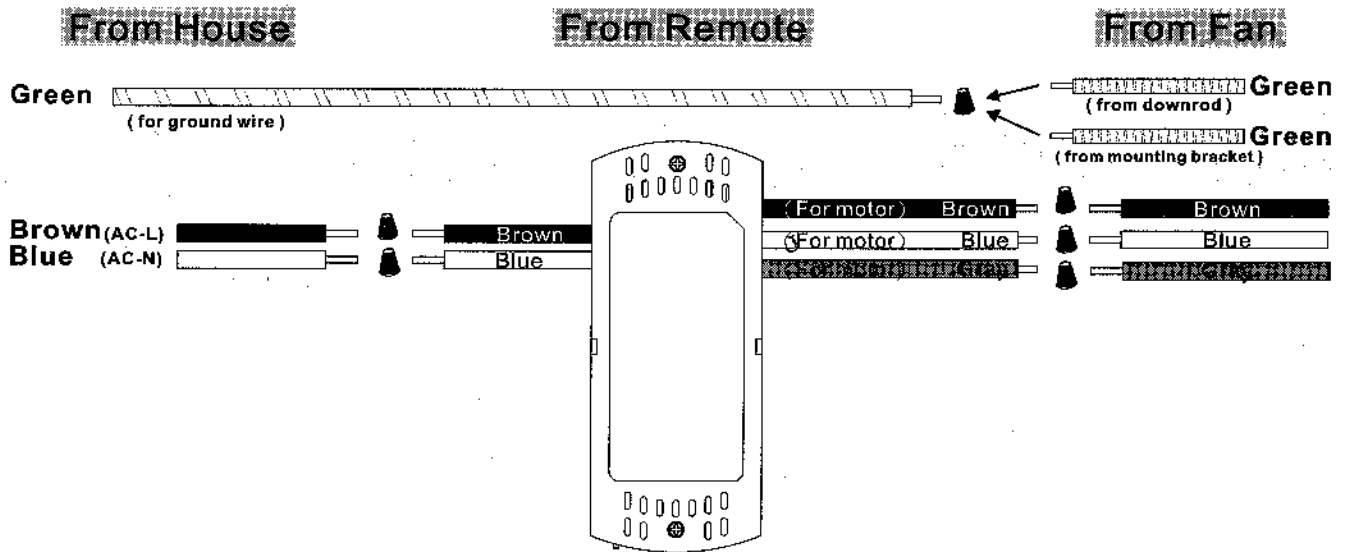


### 2B. Making electrical wire connection

Follow diagram below and make sure that all exposed wires are secured inside wire nuts or terminal block.

Note : Wires from house may vary in color and may not include ground wire ( green ).

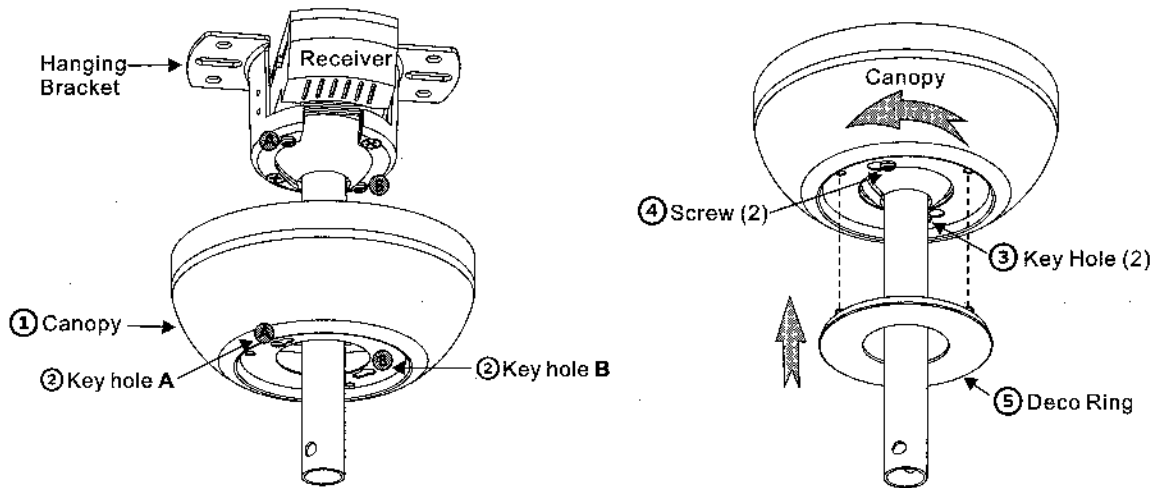
After wiring is completed, gently push wires into junction box with wire nuts pointing upward.



### 3. CANOPY INSTALLATION

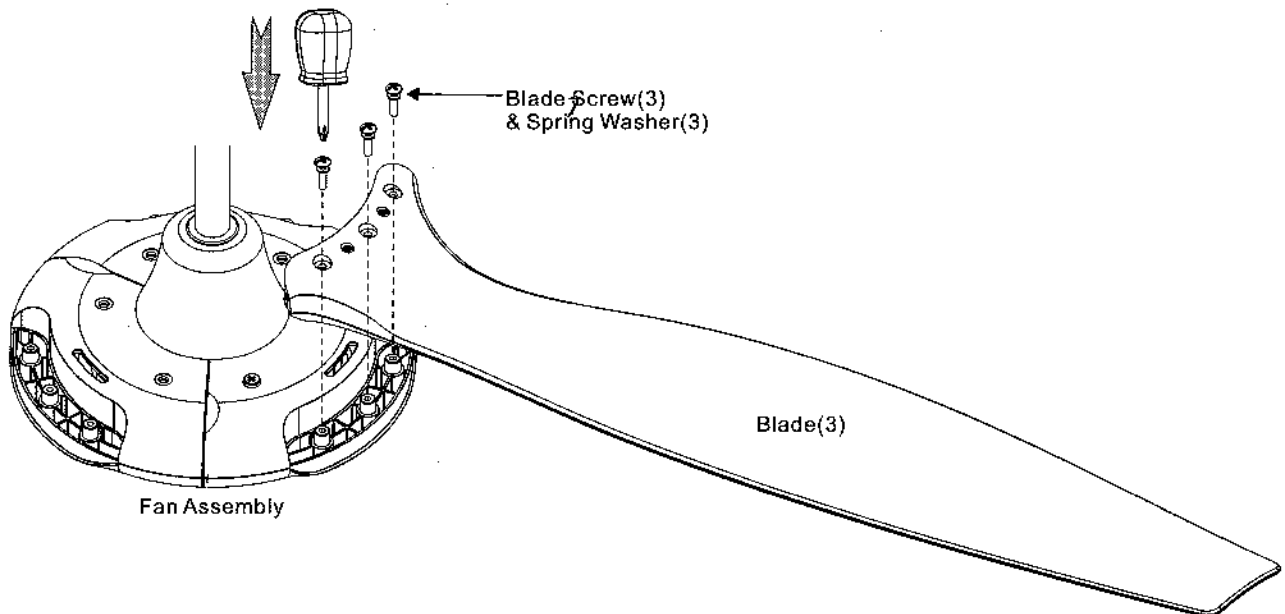
**Note:** Two screws are pre-installed on mounting bracket for canopy installation.

- ① Push up canopy until two screws pre-screwed on mounting bracket are engaged with two key holes on canopy.
- ② Before rotating the canopy, make sure Key hole A & B of the canopy correspond to A & B positions of the hanging bracket.
- ③ Rotate canopy slightly until two pre-installed screw heads are engaged in the narrow end of key holes.
- ④ Tighten both screws.
- ⑤ Aligning the rubs from Deco Ring to 3 holes on the canopy, push Deco Ring up and snap into the canopy.

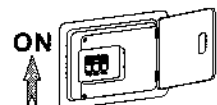


### 4. BLADE INSTALLATION

Attach blades to fan assembly by using screws provided from hardware bag.  
(\* Repeat until all 3 blades are installed firmly.)



5. Turn on power at breaker box for remote setting.



## REMOTE CONTROL SETTING and OPERATION FOR DC MOTOR FANS

After completing the ceiling fan installation, install the 12V battery (included) in the hand-held Transmitter (see below FIG.2). Your fan is ready for remote control setting and operation.

### \*NOTE :

Your DC motor is equipped with an automatically learned type Remote control. The Remote control has been pre-set up and completed the learning/setting. The serial number sticker is paired on both Transmitter & Receiver. **PLEASE DO NOT MIX THE SERIAL NUMBER!** (See label on receiver and remote control cover.)

### \*IMPORTANT :

In the event the fan does not operate, repeat the remote control setting steps below.

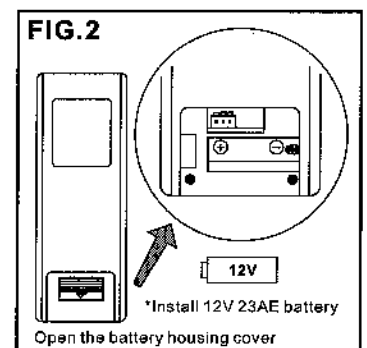
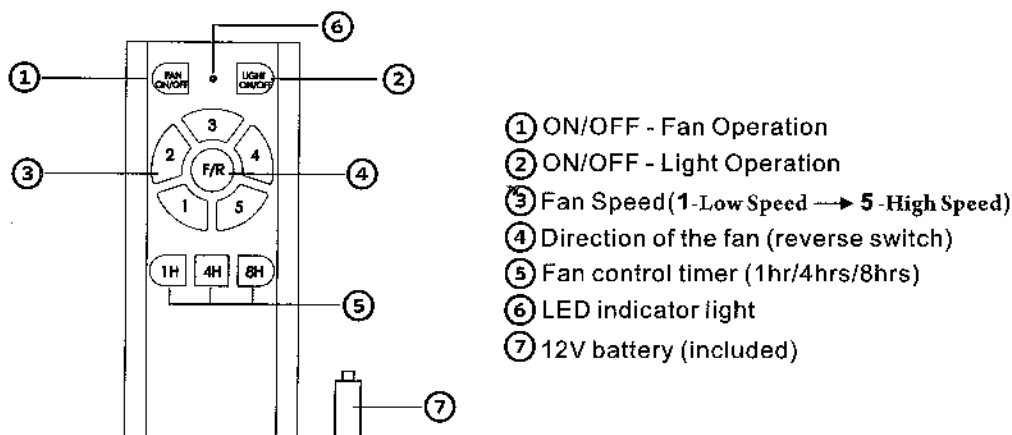
(Once the fan assembly and wiring is completed and the fan operates properly, you may skip this SETTING step).

### Remote Control SETTING Process :

1. First, switch the main power off and wait for 10 seconds. Then switch the power on again, and immediately continue the SETTING process within 30 seconds.
2. Press and hold the **Fan On/Off button** for **5 seconds** until the Receiver Beeps (Fan may rotate and run on both directions for about a minute), then the fan will operate at the 3<sup>rd</sup> speed.

This fan has completed the settings successfully!

**Note:** Fan must be installed at a maximum distance of 32Ft. from the transmitting unit for proper signal transmission between the transmitting unit and the fan's receiving unit.



**Note 1:** With the memory function, the controller will save the last fan function when the fan is powered off. When restoring the power supply, it will resume to the original status (Fan is Off and Light is On).

**Note 2:** If not used for a long period of time, remove battery to prevent damage to Transmitter. Store the remote away from excessive heat or humidity.