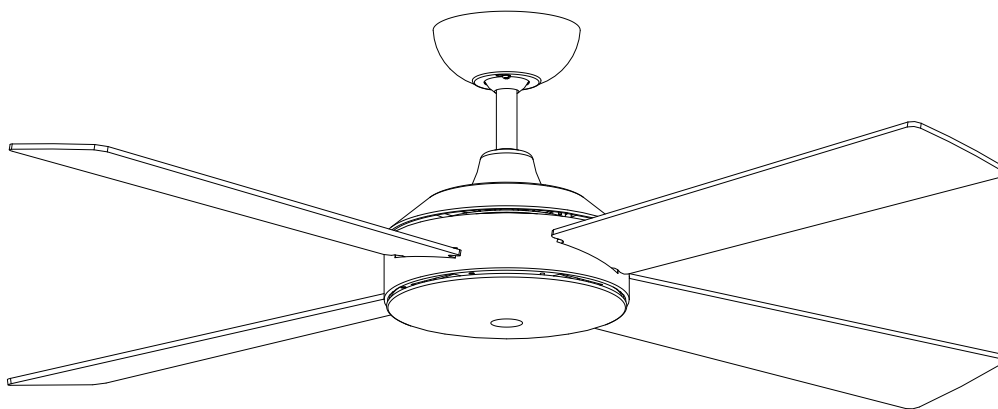


Owners Manual



4UFO52

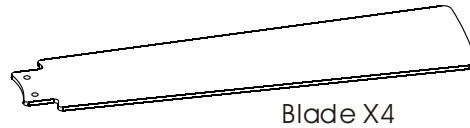
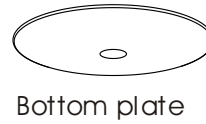
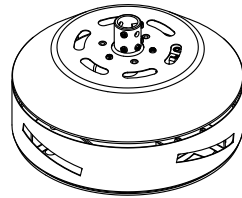
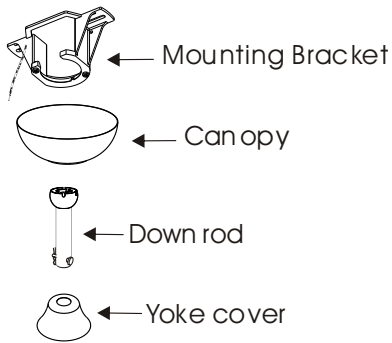
Warning : Read and follow these instructions carefully and be mindful of all warnings shown throughout.

READ AND SAVE THESE INSTRUCTIONS

WARNING : TO REDUCE THE RISK OF FIRE, ELECTRICAL SHOCK, OR INJURY TO PERSONS, PLEASE OBSERVE THE FOLLOWING :

1. To ensure the success of the installation, be sure to read the instructions and review the diagrams thoroughly before beginning.
- 2]. To avoid possible electric shock, be sure electricity is turned off at the main power box before wiring. All electrical connections must be made in accordance with local codes, ordinances and/or the National Electric Code. If you are unfamiliar with the methods of installing electrical wiring and products, secure the services of a qualified and licensed electrician as well as someone who can check the strength of the supportive ceiling members and make the proper installations and connections.
- 3]. Make sure that your installation site will not allow rotating fan blades to come in contact with any object. Blades should be at least 2.3 m from floor when fan is in operation.
- 4]. If possible, mount ceiling fan on a ceiling joist - the joist must be able to support the motion and weight of the moving fan. If the fan will be mounted on a ceiling outlet box, a 4" x 2-1/8" deep METAL octagon box is required ; one UL listed as " suitable for fan support ". The box and its supporting members must not be able to twist or work loose. DO NOT USE PLASTIC BOXES. Installation on a concrete ceiling should be performed by qualified personnel.
- 5]. Blades should be attached after motor housing is hung and in place. Fan motor housing should be kept in carton until ready to be installed to protect its finish. If you are installing more than one ceiling fan, make sure that you do not mix fan blade sets.
- 6]. After making electrical connections, spliced conductors should be turned upward and pushed carefully up into outlet box. The wires should be spread apart with the grounded conductor and the equipment - grounding conductor on one side of the outlet box and the " HOT " wires on the other side.
- 7]. Electrical diagrams are for reference only. Light kits that are not packed with the fan must be UL listed and should be installed per the light kit's installation instructions.
- 8]. After fan is completely installed, check to make sure that all connections are secure to prevent fan from falling and/or causing damage or injury.
- 9]. The fan can be made to work immediately after installation - the bearings are adequately charged with grease. So that, under normal conditions, further lubrication should not be necessary.
- 10]. The fan must be turned off and stopped before reversing fan direction.
- 11]. This fan is suitable for indoor location use .

1. Unpack and inspect fan carefully to be certain all contents are included.



Hardware bag

Mounting Screw	2pcs	
Spring Washer	2pcs	
Lock Washer	2pcs	
Wood Screw	2pcs	
Tooth Washer	2pcs	
Blade Balance Kit	1pc	
Blade Screw	9pcs	
Paper Washer	9pcs	

2.
Turn off power at breaker box to avoid possible electrical shock.

3.
IF IT IS NECESSARY TO REDUCE THE LENGTH OF THE DOWNROD, PLEASE ENSURE THAT THE CUT IS MADE CLEAN AND SQUARE, THAT ALL BURRS ARE REMOVED AND THAT THE LOCATING HOLE IS DRILLED TRUE AND SQUARE.

IF THIS HOLE IS DRILLED OUT OF SPACE, YOU WILL INTRODUCE AN OUT OF BALANCE CHARACTERISTIC TO THE FAN, WHICH IS NOT COVERED BY WARRANTY.

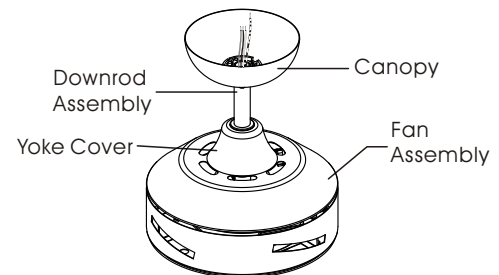
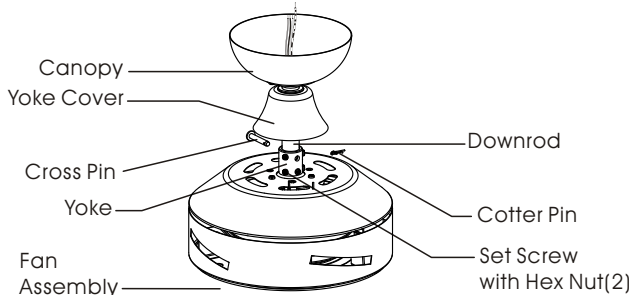
CHOOSE A LOCATION FOR MOUNTING THE FAN WHERE THE BLADES WILL BE CLEAR FROM OBSTRUCTION FROM ALL OBJECTS. IF THE LOCATION YOU HAVE CHOSEN DOES NOT ALIGN ITSELF WITH A SUITABLE SUPPORT BEAM, INSTALL A 50MM X 100MM (2" X 4") BRACE BETWEEN THE CEILING JOISTS AS A SUPPORT MEDIUM.

4.
Install mounting bracket to wooden brace in ceiling using washers and the mounting screws provided in hardware bag.

Do not use existing mounting bracket, replace it with new mounting bracket from box.

5. Yoke & Downrod Assembly

5a. Insert yoke cover and canopy through downrod, then insert lead wire through downrod.



5b. Insert the downrod assembly into yoke.

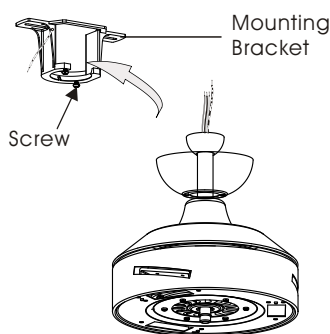
5c. Insert the cross pin through Yoke and downrod and secure with cotter pin.

5d. Tighten both set screws from yoke to further secure downrod.

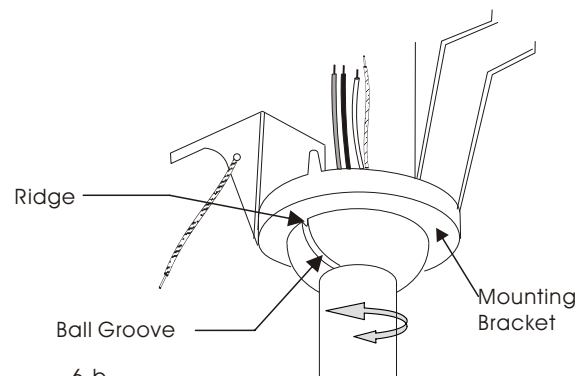
5e. Pull down the yoke cover through downrod and put in place.

5f. Insert canopy through downrod.

6. Hanging the Fan



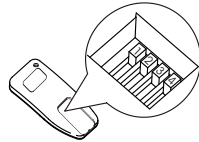
6-a.
Lift fan assembly onto mounting bracket.



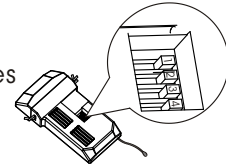
6-b.
Carefully lift fan assembly onto mounting bracket. Rotate fan so that the groove on the ball engages the ridge in the mounting bracket.

7. Make Wire Connection

Transmitter
Code Switches



Receiver
Code Switches



This unit has 16 different code combinations.

1. Setting the code on the TRANSMITTER

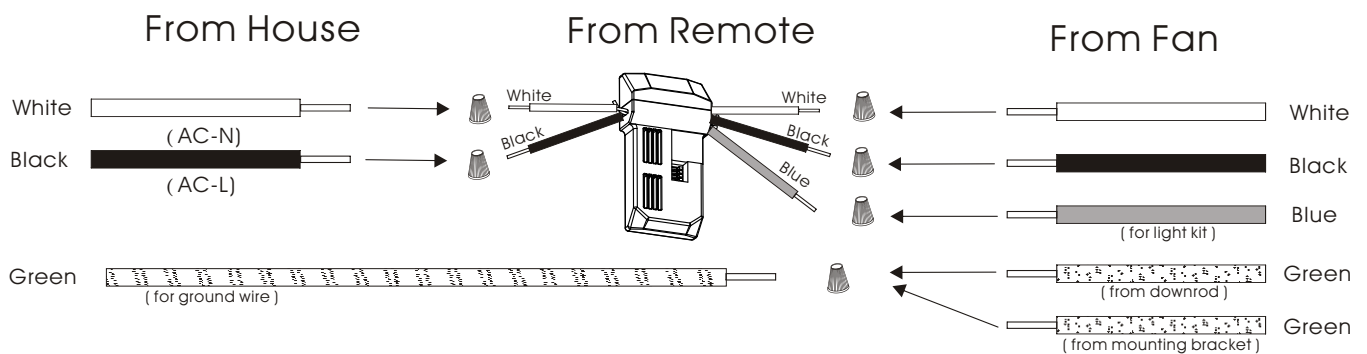
- A. Remove battery cover.
- B. Slide code switches to your choice of ON or OFF position. Use a small screwdriver or ball point pen to slide each switch firmly up or down.
- C. Install 9V DC battery (not included).
- D. Install battery cover on transmitter.

2. Slide code switches to be the SAME POSITIONS as set on the transmitter for your receiver.

7a. Make wire connection - (for 220~ 240V AC/50Hz)

Follow diagram below and make sure that all exposed wires are secured inside wire nuts.

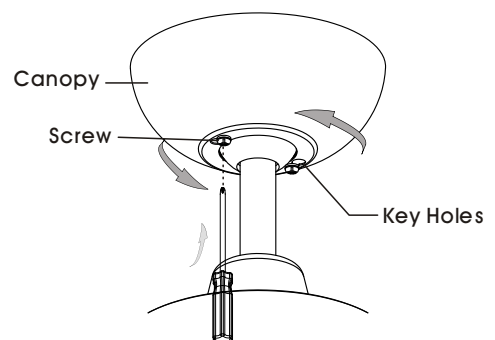
Note : Wires from house may vary in color and may not include ground wire (green). After wiring is completed, gently push wires into junction box with wire nuts pointing upward.



Secure with twist - lock wire nuts. (Included)

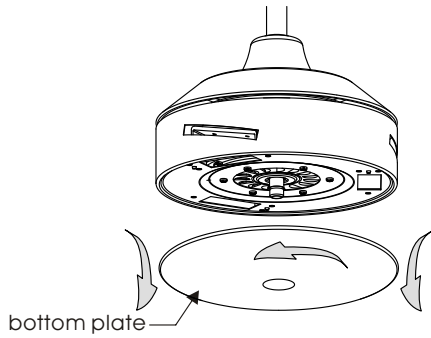
8. Canopy installation

- 8a. Push up the Canopy until the two screws on mounting bracket are engaged with key holes in canopy.
- 8b. Rotate the canopy slightly until the two screw heads are in the small end of the key holes.
- 8c. Tighten both screws.



9. Fan Installation without light kit:

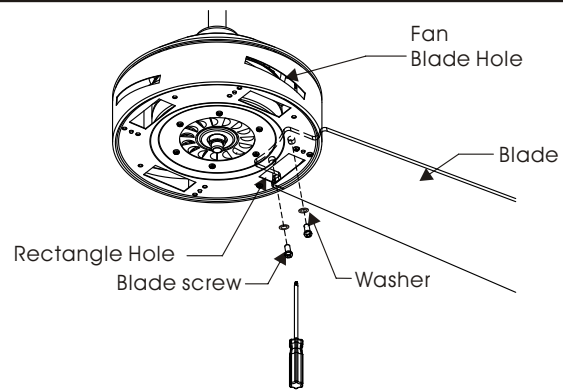
9-A. Blade Installation:



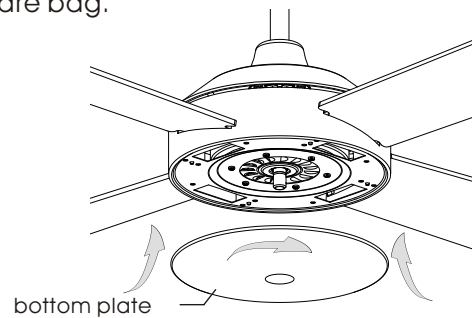
1. Take bottom plate off from fan, unscrew by anti-clockwise direction for blade installation.

9-B.

Attach bottom plate to fan by turning clockwise direction to tight, if your fan equips no light.



2. Insert blade into fan blade hole.
3. Fasten blade onto motor assembly through rectangular hole using washers & motor screws provided from hardware bag.



10. Turn on the power - your fan is ready for operation.