



# MR. KEN

Reach your dream

Model No : CRYSTAL ( F-803 )

U.S. Patents: D535,011; D535,015; D535,387; D535,388; D536,083; 7,481,626

by minkaAire.  
A Minka Group Co.

INSTRUCTION MANUAL WARRANTY CERTIFICATE

SAFETY RULES.....	1	INSTALLING THE MOUNTING PLATE.....	8
PACKAGE CONTENTS.....	2	INSTALLING THE LIGHT PLATE.....	9
INSTALLING THE FAN.....	3	INSTALLING THE LIGHT GLOBE & GLASS SHADE.....	10
HANGING THE FAN.....	4	CARE OF YOUR FAN.....	11
ELECTRICAL CONNECTIONS.....	5	TROUBLESHOOTING.....	12
FINISHING THE INSTALLATION.....	6	SPECIFICATIONS.....	13
BLADE INSTALLATION.....	7		

## ***CONTENTS***

# 1

## ***SAFETY RULES***

1. To ensure the success of the installation be sure to read the instructions and study the diagrams thoroughly.
2. For your safety, all electrical connection and disconnection must be performed by a Licensed Electrician.
3. The fixing point for the fan must be able to support a weight of at least 40kg. If you are mounting the fan to a ceiling junction box, the box and it's fixing must be able to support the moving weight of the fan and must not twist or work loose.
4. The fan must be earthed.
5. Do not connect the fan motor to a dimmer switch. This may give an unsatisfactory performance (motor hum) and cause damage to the motor. Only use the wall controller supplied.
6. It is not recommended that ceiling fans and gas appliances be operated in the same room at the same time.
7. To prevent damage the fan must be turned off and stopped completely before reversing the fan direction.
8. Do not insert anything into the fan blades while the fan is operating, as this may cause injury, damage the blades and upset the balance of the unit causing it to wobble.
9. Once the fan is completely installed make sure that all connections are secured and tightened to prevent any problems.
10. Due to the fan's natural movement, some connections may loosen. Check the support connections, brackets and blade attachments twice a year to make sure they are all secured. If they are loose, tighten with a suitable tool.

**NOTE:** The important safeguards and instructions appearing in this manual are not meant to cover all possible conditions and situations that may occur. It must be understood that common sense, caution and care are factors which can not be built into this product. These factors must be supplied by the person (s) installing, caring for and operating the unit.

**NOTE: READ AND SAVE ALL INSTRUCTIONS!**

### **WARNING**

**THE FAN BASE MUST BE SECURELY MOUNTED AND CAPABLE OF RELIABLY SUPPORTING AT LEAST 50 LBS. OUTLET BOXES ARE NOT ACCEPTABLE FOR FAN SUPPORT. SEE PAGE 4 OF OWNER'S MANUAL FOR SUPPORT REQUIREMENTS. CONSULT A QUALIFIED ELECTRICIAN IF IN DOUBT.**

**TO REDUCE THE RISK OF PERSONAL INJURY, DO NOT BEND THE BLADE HOLDERS WHILE INSTALLING, BALANCING THE BLADES OR CLEANING THE FAN. DO NOT INSERT FOREIGN OBJECTS BETWEEN ROTATING FAN BLADES.**

**TO REDUCE THE RISK OF FIRE OR ELECTRONIC SHOCK, THIS FAN ONLY CAN USE WERFL WALL CONTROL ONLY.**

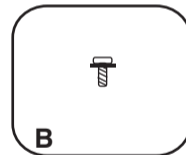
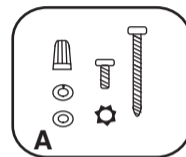
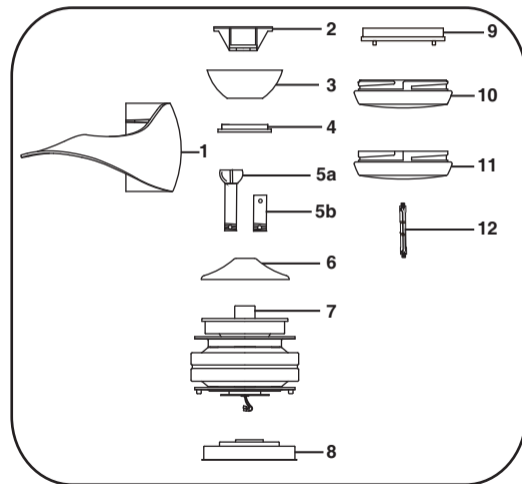
# 2

## PACKAGE CONTENTS

Unpack your fan and check the contents.  
You should have the following items:

1. Fan blades (3)
2. Hanger bracket
3. Canopy
4. Canopy cover
- 5a. Standard downrod assembly
- 5b. Minimum-length downrod (for close to ceiling mounting only)
6. Coupling cover
7. Fan motor/housing assembly
8. Mounting plate
9. Light plate
10. Glass shade
11. Optional switch cup cover
12. 80W R7S halogen bulb

- A. Mounting hardware:  
#10 x 1.5" Wood screws (2 PCs.)  
#8 x 3/4" Machine screws (2 PCs.)  
Lock washers (2 PCs.)  
4mm Star washers (2 PCs.)  
Wire nuts (3 PCs.)  
Washers (2 PCs.)
- B. Bracket holder hardware:  
3/16" x 17mm Screws with lock washers (10 PCs.)



Tools Required: Phillips screw driver; slotted screw driver; step-ladder; wire cutters; electrical tape.

## INSTALLING THE FAN

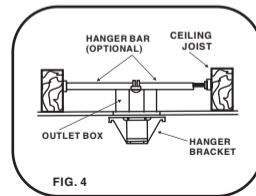
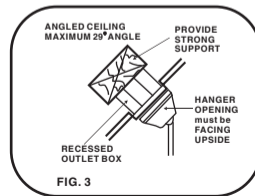
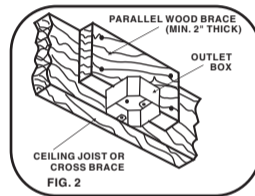
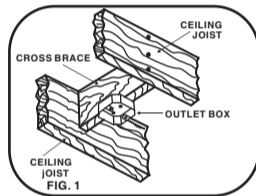
### MOUNTING OPTIONS

If there isn't an existing mounting box, then read the following instructions. Disconnect the power by removing fuses or turning off circuit breakers.

Secure the outlet box directly to the building structure. Use appropriate fasteners and building materials. The outlet box and its support must be able to fully support the moving weight of the fan (at least 50 lbs.). Use a safety approved metal outlet box. Do not use a plastic outlet box.

Figure 1, 2 and 3 are examples of different ways to mount the outlet box.

Note: You may need a longer downrod to maintain proper blade clearance when installing on a steep, sloped ceiling. Longer downrods are available from your dealer of MR.KEN.



# 4

## ***HANGING THE FAN***

**WARNING:** All of the parts, hardware and components such as the hanger bracket and hanger ball have been provided for your safety and the proper installation of your new ceiling fan. The use of other parts, hardware or components not supplied by MR.KEN with the fan will void the MR.KEN warranty.

**REMEMBER** to turn off the power. Follow the steps below to hang your fan properly:

**Step 1.** Secure the hanger bracket to the ceiling outlet box using screws included with your outlet box, lock washers included with the fan. (Fig.5)

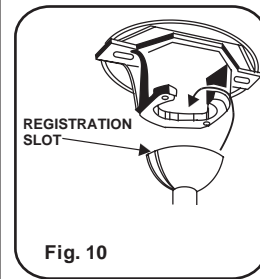
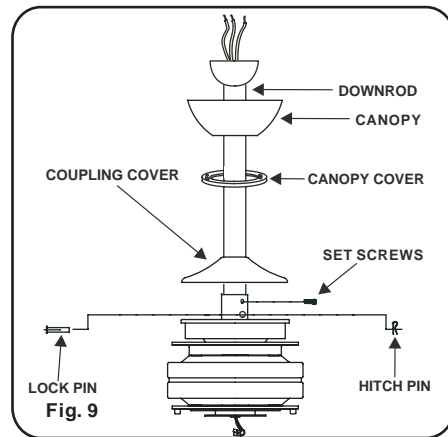
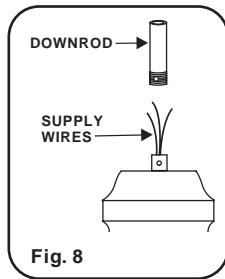
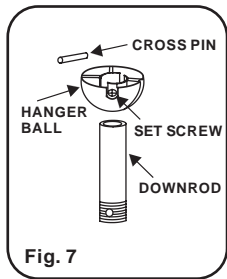
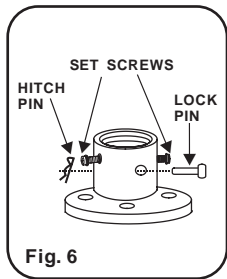
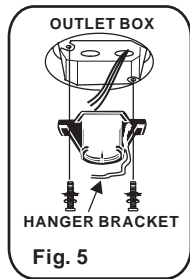
**Step 2.** Loosen the two set screws and remove the hitch pin and lock pin from the top coupling of the motor assembly. (Fig. 6)

**Step 3.** Remove hanger ball from downrod assembly by loosening set screw, removing the cross pin, and sliding ball off rod. (Fig.7)

**Step 4.** Carefully feed fan wires up through the downrod. (Fig. 8) Thread the rod into the coupling, next line up holes and replace lock pin and hitch pin. Tighten set screws.

**Step 5.** Slip coupling cover, canopy cover and canopy onto downrod. (Fig. 9) Carefully reinstall hanger ball onto rod being sure that cross pin is in the correct position, set screws are tighten and wires are not twisted.

**Step 6.** Now lift motor assembly into position and place hanger ball into hanger bracket. Rotate until the check groove has dropped into the registration slot and seats firmly. (Fig. 10) Rod should not rotate if this is done correctly.





# 5

## ***ELECTRICAL CONNECTIONS***

**NOTE:** If you feel that you do not have enough electrical wiring knowledge or experience, have your fan installed by a licensed electrician.

### **1. Wiring the Fan (Figure 11):**

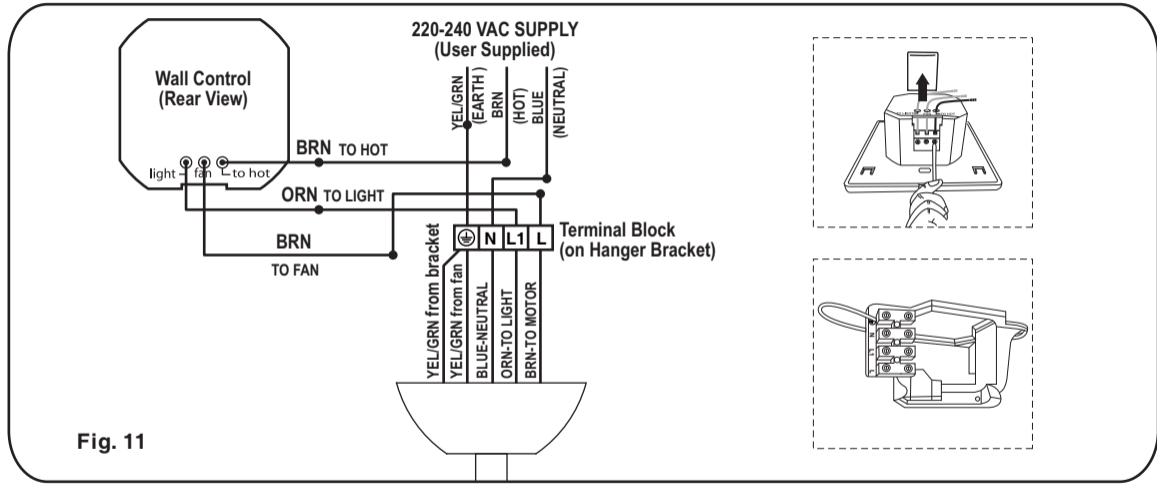
- With electrical power still disconnected, remove the existing wall plate and switch.
- Make wiring connections to terminal block as shown in Figure 11.
  - Green/yellow wire from motor and green/yellow wire from hanger bracket to the terminal to green/yellow (earth/ground).
  - Blue fan motor wire to the N terminal to blue (neutral).
  - Orange fan motor wire to the L1 terminal to orange (to light).
  - Brown fan motor wire to the L terminal to brown (hot supply).
  - Blue wire from terminal to blue wire leading to ceiling outlet box (N).

**WARNING:** Check to see that all connections are tight, including ground, and that no bare wire is visible at the wire connectors, except for the ground wire. Do not operate fan until the blades are in place. Noise and fan damage could result.

### **2. Installing Wall Control :**

- With electrical power still disconnected, remove the existing wall plate and switch.
- Make wiring connections to terminal block as shown in Figure 11.
  - Brown wire from wall control unit to terminal brown wire (L).
  - Orange wire from wall control unit to terminal black wire (L1).
  - Brown wire from wall control unit to terminal brown wire leading to ceiling outlet box.
- Attach wall control unit to outlet box using the two screws provided.
- Attach wall plate to the switch control front.
- Restore electrical power.

**WARNING:** To avoid possible fire or shock, make sure that the electrical wires are completely inside the outlet box and not pinched between the wall plate and the wall.



# 6

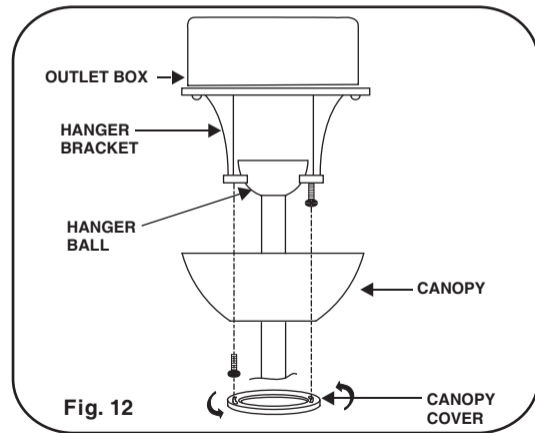
## *FINISHING THE INSTALLATION*

Step 1. Remove 1 of the 2 screws from the bottom of the hanger bracket and loosen the other one half a turn from the screw head.

Step 2. Slide the canopy up towards the hanger bracket and place the key hole on the canopy over the screw on the hanger bracket, turn canopy until it locks in place at the narrow section of the key holes. (Fig. 12)

Step 3. Align the circular hole on canopy with the remaining hole on the hanger bracket, secure by tightening the two set screws.

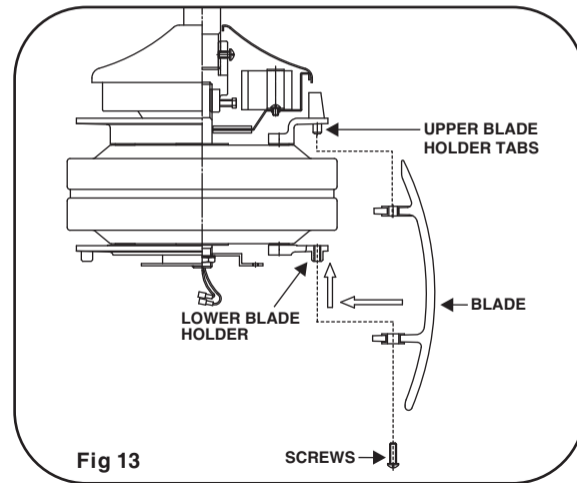
Note: Adjust the canopy screws as necessary until the canopy and canopy cover are snug.



## ***BLADE INSTALLATION***

Align and engage the top holes from one of the blades to the upper blade holder tabs. Carefully align the bottom holes from the blade to the holes from the lower blade holder. Secure blade with 3 screws provided. Follow the same process for the remaining two blades. (Fig. 13)

All blade sets are grouped together by weight. Because plastic materials vary in density, the fan may wobble even though the blades are weight matched.

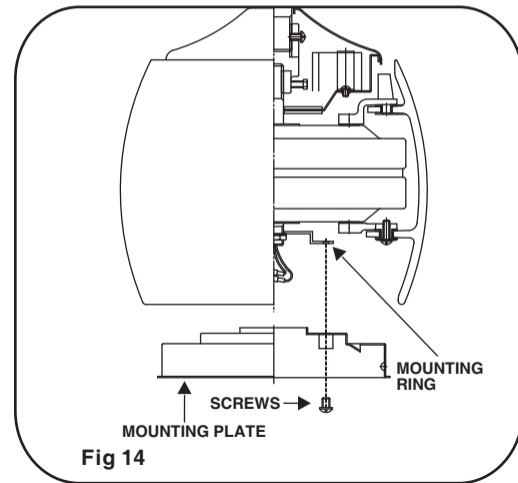


8

## *INSTALLING THE MOUNTING PLATE*

Step 1. Remove 1 of 3 screws from the mounting ring and loosen the other 2 screws. (Do not remove)

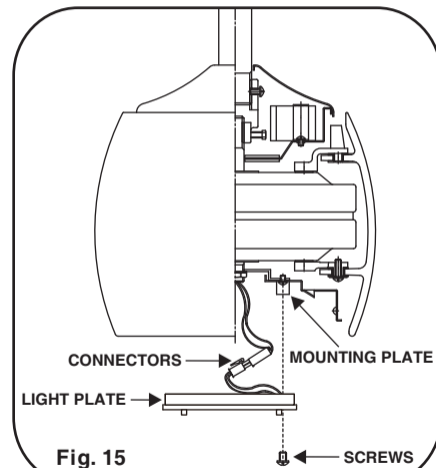
Step 2. Place the key holes from the mounting plate over the 2 screws previously loosened from the mounting ring, turn mounting plate until it locks in place at the narrow section of the key holes. Secure by tightening the 2 screws previously loosened and the one previously removed. (Fig. 14)



## ***INSTALLING THE LIGHT PLATE***

**NOTE:** Before starting installation, disconnect the power by turning off the circuit breaker or removing the fuse at fuse box.

1. Remove the 3 screws from the mounting plate.
2. Raise and hold the light plate close to the mounting plate and proceed to do the wire connections. Connect the white wire connectors from the light plate and fan, follow the same procedure with the black wire connectors. (Fig. 15)
3. Install and Secure the light plate by tightening the 3 screws previously removed. (Fig. 15)



**Fig. 15**

10

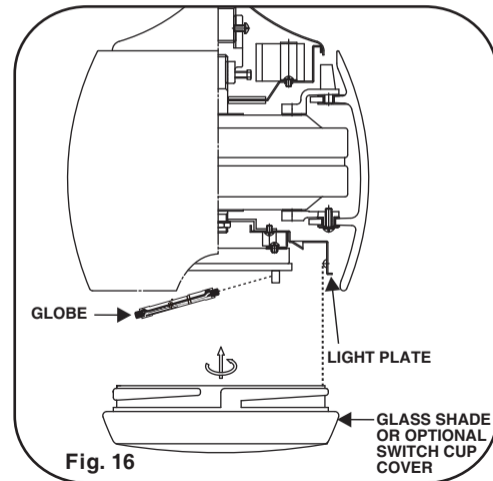
## ***INSTALLING THE LIGHT GLOBE & GLASS SHADE***

**WARNING:** Shut off the power supply before removing or replacing lamp. In handling of halogen bulb, care should be taken not to touch it with your bare hands. Oil residue will shorten the life of the halogen bulb. If you accidentally come into contact, wipe thoroughly with a clean, lint-free, cotton cloth. Allow the bulb to cool off for 10 minutes before changing the bulb. Use light bulb in accordance with the fan's specification. **TO REDUCE THE RISK OF FIRE DO NOT EXCEED MAXIMUM WATTAGE RATING.**

Step 1. Install 80W R7S halogen globe (included). (Fig. 16) (Disregard this step if using the optional switch cup cover)

Step 2. Raise glass shade or optional switch cup cover up against bottom of fan housing and secure it to fan by turning it clockwise until snug. **DO NOT OVERTIGHTEN.** (Fig. 16)

Note: If installing the optional metal switch cup cover, make sure it is securely tightened.



## REVERSING SWITCH

Your ceiling fan operate either in fan mode or reverse fan mode.

**NOTE:** Wait for fan to stop before changing the setting of the slide switch.

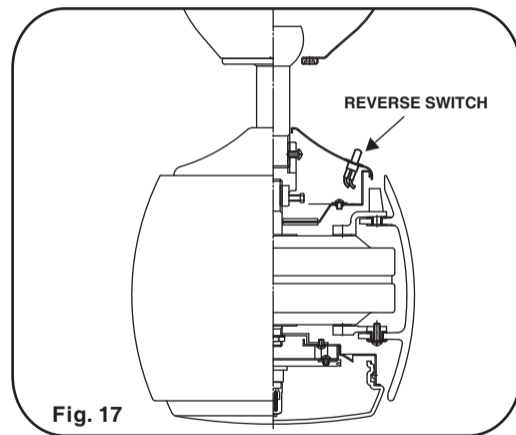
The Reverse switch is located on the top of motor housing. Slide the switch to the Left for warm weather operation. Slide the switch to the Right for cool weather operation. (Fig. 17)

### Warm Weather (forward)

A **DOWNWARD** airflow creates a cooling effect as shown in Figure 18. This allows you to set your air conditioner on a warmer setting without affecting your comfort.

### Cool Weather (Reverse)

An **UPWARD** airflow moves warmer air off the ceiling area as shown in Figure 19. This allows you to set your heating unit on a cooler setting without affecting your comfort.





Speed settings for warm or cold weather depend on factors such as room size, ceiling height and number of fans.

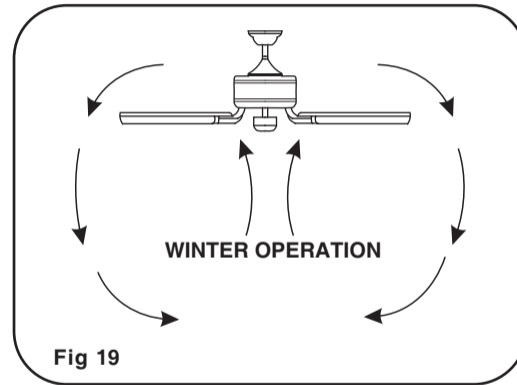
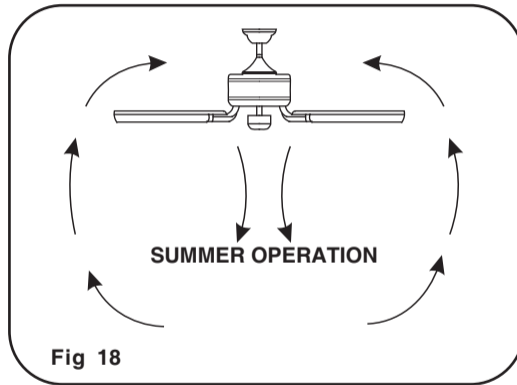
**NOTE:** to change the direction of the rotation of the blades the fan must be in operation mode.

**Warm Weather (forward)**

A **DOWNWARD** airflow creates a cooling effect as shown in Figure 18. This allows you to set your air conditioner on a warmer setting without affecting your comfort.

**Cool Weather (Reverse)**

An **UPWARD** airflow moves warmer air off the ceiling area as shown in Figure 19. This allows you to set your heating unit on a cooler setting without affecting your comfort.



## CARE OF YOUR FAN

Here are some suggestions to help maintain your fan.

1. Because of the fan's natural movement some connections may become loose. Check the support connections, brackets and blade attachments twice a year. Make sure they are secure. (It is not necessary to remove fan from the ceiling).
2. Clean your fan periodically to help maintain its new appearance over the year. **CAUTION:** many common household cleaning products contain chemicals that could damage the finish of your fan. Use only a soft lint free cloth and soapy water.
3. If your fan is provided with wood veneer blades; you can apply a light coat of furniture polish for additional protection and enhanced beauty. Cover small scratches with a light application of shoe polish.

4. Use a lint free lightly damp cloth or duster to remove dust from the blades.

5. There is no need to oil your fan. The motor has permanently lubricated bearings.

6. If your fan is provided with glass shades, clean with lukewarm soapy water and a soft cloth or sponge. **DO NOT IMMERSE GLASS SHADES IN HOT WATER. DO NOT PUT GLASS SHADES INTO AN AUTOMATIC DISHWASHER.**

### WARNING!

**MAKE SURE THE POWER IS OFF AT THE ELECTRICAL PANEL BOX BEFORE YOU ATTEMPT ANY REPAIRS. REFER TO THE SECTION, "ELECTRICAL CONNECTIONS".**

# 12

## TROUBLESHOOTING

### SYMPTOM

Fan will not start

1. Check main and branch circuit fuses or circuit breakers.
2. Check line wire connections to fan and switch wire connections in the switch housings.  
**CAUTION:** Make sure main power is turned off !
3. Make sure reversing switch position is all the way to one side.

### SYMPTOM

Fan Sounds Noisy

### SOLUTION

1. Attach blades to fan before operating.
2. Check to make sure all screws in motor housing are snug (not over-tight).
3. Check to make sure the screws which attach the fan blade holders to the motor flywheel are tight.
4. Check to make sure wire connectors in switch housing are not rattling against each other or against the interior wall of the switch housing.  
**CAUTION:** Make sure main power is turned off !
5. Some fan motors are sensitive to signals from solid-state variable speed controls. Solid-state controls are not recommended, choose an alternative control method.
6. Tighten screws securely.
7. Tighten set screw securely.

## SYMPTOM

Fan Wobble

## SOLUTION

1. Tighten both setscrews securely in downrod support.
2. Tighten the setscrew in the downrod/hanger ball assembly.
3. Check to be sure screws which attach the fan blade holders to the flywheel are tight.
4. Check to be sure the fan blade holders seat firmly and uniformly to the surface of the motor housing. If holders are seated incorrectly, loosen the screws and retighten.
5. Tighten the hanger bracket screws to the outlet box, and secure outlet box.
6. Interchanging position of fan blades can redistribute the weight and result in a smoother operation. For example, exchange blades in positions 1 and 3 or 1 and 2.

13

These are typical readings. Your actual fan may vary. They do not include amps and wattage used by the light(s), for reference only.

## ***SPECIFICATIONS***

Fan Size	Speed	Volts	Amps	Watts	RPM	CFM	N.W.	G.W.	C.F.
<b>58"</b>	Low	220	0.14	13	68	3100	11.57 Kgs	13.50 Kgs	3.96'
	Medium	220	0.24	42	110	5900			
	High	220	0.30	68	133	8000			

**MRKEN**

Reach your dream



by minkaAire<sup>®</sup>  
A Minka Group Co.

**MRKEN**  

---

*Reach your dream*

Distributed By  
BRAIN THAI ENTERPRISE CO., LTD.  
E-mail: [info@mrken-fan.com](mailto:info@mrken-fan.com)  
[www.mrken-fan.com](http://www.mrken-fan.com)